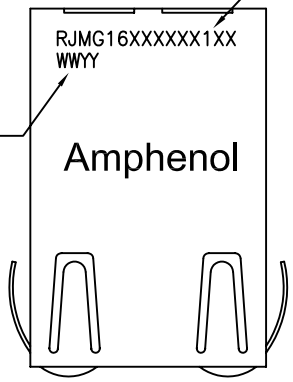


This document is the property of Amphenol Corporation and is delivered on the express condition that it is not to be disclosed, reproduced or used, in whole or in part, for manufacture or sale by anyone other than Amphenol Corporation without its prior consent, and that no right is granted to disclose or to use any information in this document.

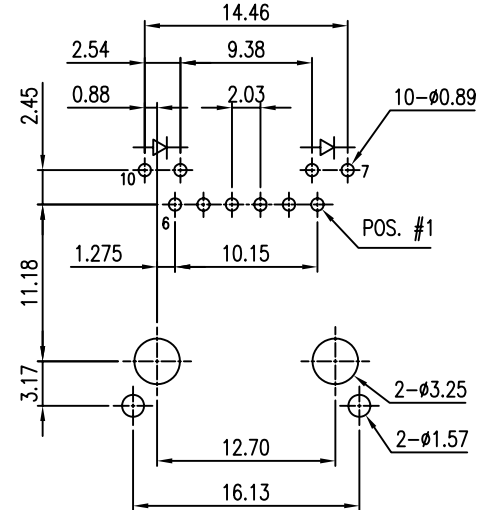
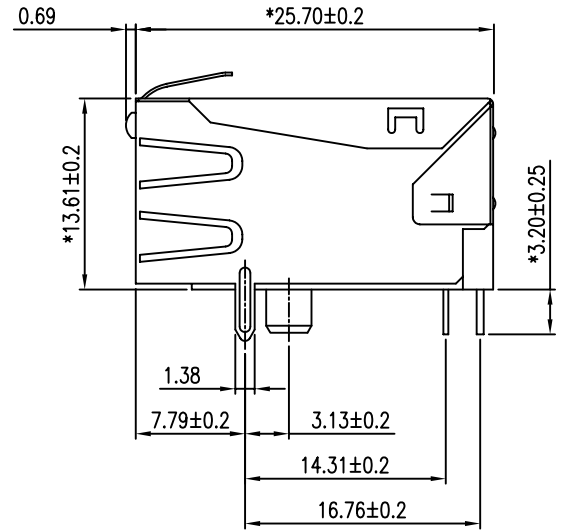
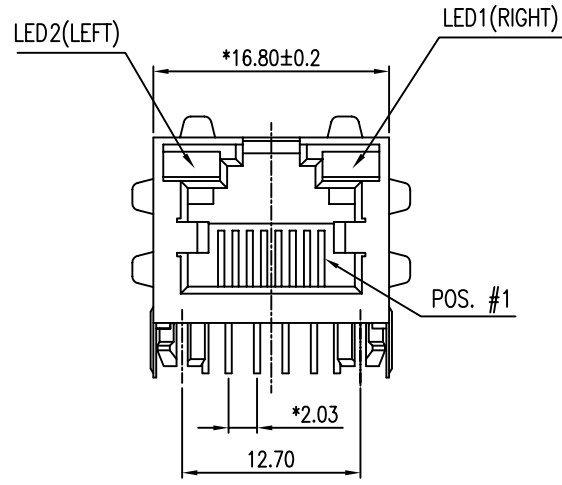
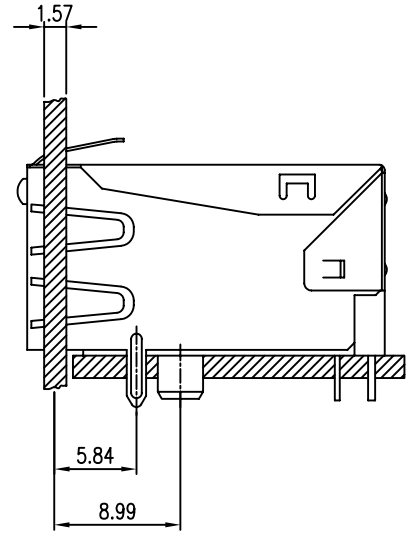
CUSTOMER DRAWING

| REVISIONS | | | | |
|-----------|---------|-----------------------|------------|------------|
| SYM | ECN No. | DESCRIPTION | DATE | APPROVED |
| E1 | | RELEASE TO PRODCUTION | 01/03/2006 | Joseph Hsu |

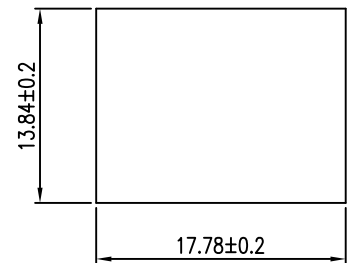
P/N, 1.0mm MIN. HEIGHT
FONT: ARAIL OR SIMILAR



DATE CODE
WW=WEEK
YY=YEAR



RECOMMENDED PCB LAYOUT
(ALL TOLERANCES ARE ±0.05)



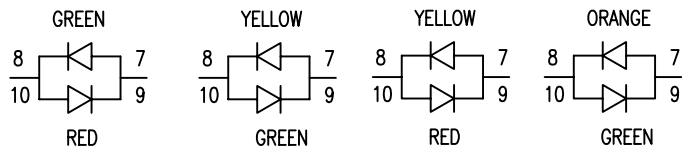
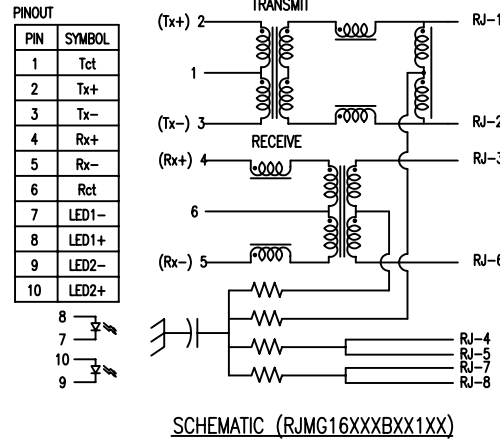
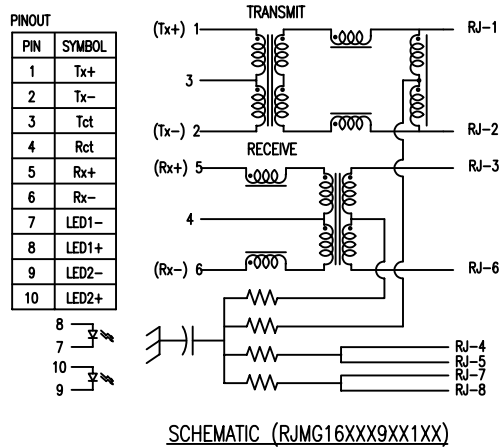
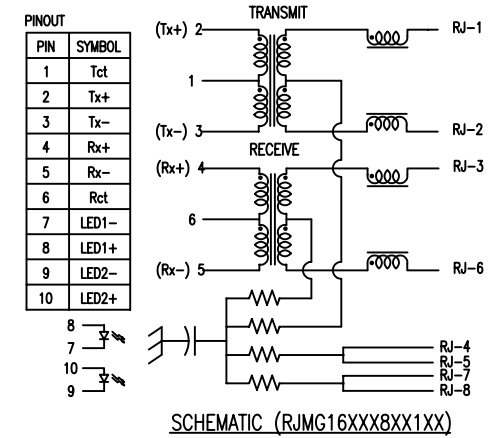
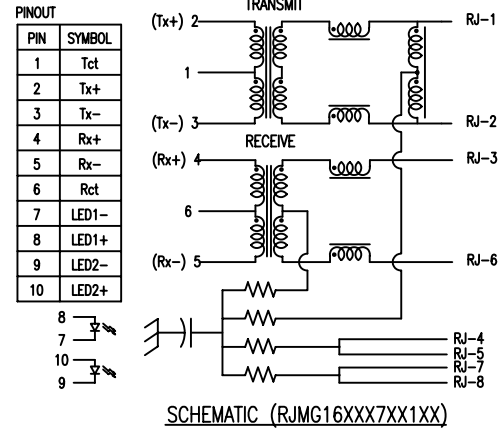
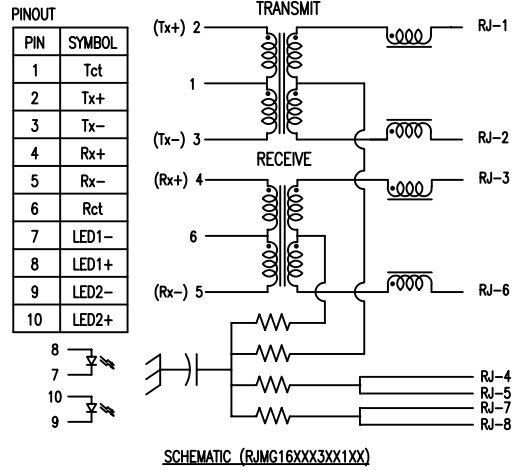
RECOMMENDED PANEL CUTOUT

| TOLERANCE m/m | APPROVALS | DATE | TITLE | Amphenol® Amphenol Corporation | |
|----------------------------|------------------------|------------|---|-----------------------------------|--------------|
| x. ±0.30 | DRAWN Lucy Lee | 01/03/06 | SINGLE PORT RJmag CONNECTOR SHIELD, WITH R&C TERMINATION 10/100 | SCALE N.A. | SHEET 1 OF 4 |
| x.x ±0.25 | CHECKED Kevin Xie | 01/03/06 | | | |
| x.xx ±0.15 | APPROVED Joseph Hsu | 01/03/06 | | | |
| x.xxx ±0.08 | | | | | |
| ANGULAR ±2° | | | | | |
| UNLESS OTHERWISE SPECIFIED | UNIT MM | SIZE A4 | PART NO. RJMG16XXXXXX1XX | DRAWING NO. RJMG16XXXXXX1XX | REV. E1 |

This document is the property of Amphenol Corporation and is delivered on the express condition that it is not to be disclosed, reproduced or used, in whole or in part, for manufacture or sale by anyone other than Amphenol Corporation without its prior consent, and that no right is granted to disclose or to use any information in this document.

CUSTOMER DRAWING

| REVISIONS | | | | |
|-----------|---------|-----------------------|------------|------------|
| SYM | ECN No. | DESCRIPTION | DATE | APPROVED |
| E1 | | RELEASE TO PRODCUTION | 01/03/2006 | Joseph Hsu |



BI-COLOR LED DETAIL

| | | | |
|------------------------|------------|--|--|
| APPROVALS | DATE | TITLE | <h2>Amphenol®</h2> <h3>Amphenol Corporation</h3> |
| DRAWN Lucy Lee | 01/03/06 | SINGLE PORT RJmag CONNECTOR SHIELD, WITH R&C TERMINATION | |
| CHECKED Kevin Xie | 01/03/06 | 10/100 | |
| APPROVED Joseph Hsu | 01/03/06 | | |
| UNIT MM | SIZE A4 | PART NO. RJMG16XXXXXX1XX | SCALE N.A. |
| | | DRAWING NO. RJMG16XXXXXX1XX | SHEET 2 OF 4 |
| | | REV. E1 | |

This document is the property of Amphenol Corporation and is delivered on the express condition that it is not to be disclosed, reproduced or used, in whole or in part, for manufacture or sale by anyone other than Amphenol Corporation without its prior consent, and that no right is granted to disclose or to use any information in this document.

CUSTOMER DRAWING

| REVISIONS | | | | |
|-----------|---------|-----------------------|------------|------------|
| SYM | ECN No. | DESCRIPTION | DATE | APPROVED |
| E1 | | RELEASE TO PRODCUTION | 01/03/2006 | Joseph Hsu |

TURN RATIO 1:1±5%

TURN RATIO: 1:2±5%

| PARAMETER | TYPE | LIMITS (MAX. OR MIN.) | FREQUENCY RANGE/ TEST CONDITIONS |
|--------------------------|--|--|-------------------------------------|
| INSERTION LOSS (RX/TX) | -0.8dB TYP. | -1.0dB MAX. | 1-100 MHz |
| RETURN LOSS (RX/TX) | -22dB TYP. -18dB TYP. -12dB TYP. | -18dB MIN. -18+20log(f/30)dB MIN. -12dB MIN. | 1-30 MHz 30-60 MHz 60-80 MHz |
| DC RESISTANCE | 0.5 ohm MIN. | 1.0 ohm MAX full 0.5 ohm MAX half | DC |
| CM-CM REJECTION | -40dB TYP. | -30dB MIN. | 0-100MHz |
| CM-DM REJECTION | -40dB TYP. | -35dB MIN. | 0-100MHz |
| CROSSTALK (PAIR TO PAIR) | -38dB TYP. | -35dB MIN. | 0-100MHz |
| HIPOT (ISOLATION) | 2.25KV/1.5KVrms. | 2.25KV/1.5KVrms. | 60S DC/AC |
| OCL | 500uH TYP. | 350uH MIN. | 100KHz 8mV DC BIAS |

| PARAMETER | TYPE | LIMITS (MAX. OR MIN.) | FREQUENCY RANGE/ TEST CONDITIONS |
|--------------------------|------------------|--------------------------------------|-------------------------------------|
| INSERTION LOSS (RX/TX) | -0.8dB TYP. | -1.0dB MAX. | 1-10 MHz |
| RETURN LOSS (RX/TX) | -20dB TYP. | -16dB MIN. | 1-10 MHz |
| DC RESISTANCE | 0.5 ohm MIN. | 1.0 ohm MAX full 0.5 ohm MAX half | DC |
| CM-CM REJECTION | -40dB TYP. | -30dB MIN. | 0-100MHz |
| CM-DM REJECTION | -40dB TYP. | -35dB MIN. | 0-100MHz |
| CROSSTALK (PAIR TO PAIR) | -38dB TYP. | -35dB MIN. | 0-100MHz |
| HIPOT (ISOLATION) | 2.25KV/1.5KVrms. | 2.25KV/1.5KVrms. | 60S DC/AC |
| OCL RECEIVE | 500uH TYP. | 350uH MIN. | 100KHz 8mV DC BIAS |
| OCL TRANSMIT | 75uH TYP. | 50uH MIN. | 100KHz 8mV DC BIAS |

LED PERFORMANCE:

| PARAMETER | SINGLE COLOUR | | BICOLOUR | | UNITS |
|------------------------|---------------|---------|----------|--------|-------|
| | GREEN | YELLOW | GREEN | ORANGE | |
| FORWARD CURRENT IF MAX | 30 | 30 | 30 | | mA |
| REVERSE CURRENT IR MAX | 10 | 10 | 10 | | uA |
| REVERSE VOLTAGE VR MAX | -5 | -5 | -5 | | V |
| T OPERATURE TOP | -40~+85 | -40~+85 | -40~+85 | | ℃ |
| T SOLDERINGTURE TS | 260+/-5 | 260+/-5 | 260+/-5 | | ℃ |
| POWER DISS. Pd | 100 | 100 | 100 | | mW |
| INTENSITY Iv | 80 | 40 | 20 | 25 | MCD |
| PEAK WAVELENTH | 565 | 585 | 565 | 605 | nM |
| FORWARD VOLTAGE TYP | 2.5 | 2.1 | 2.2 | 2.0 | V |
| FORWARD VOLTAGE MAX | 2.9 | 2.6 | 2.6 | 2.6 | V |



NOTES:

- DESIGNATORS 1 TO 10 ARE PRINTED WIRE BOARD CONNECTIONS.
- DIFFERENT CAPACITOR VALUES ARE AVAILABLE UPON REQUEST.

| APPROVALS | DATE | TITLE | Amphenol® Amphenol Corporation | |
|------------------------|----------|---|-----------------------------------|-----------------|
| DRAWN Lucy Lee | 01/03/06 | SINGLE PORT RJmag CONNECTOR SHIELD, WITH R&C TERMINATION 10/100 | SCALE | N.A. |
| CHECKED Kevin Xie | 01/03/06 | | SHEET | 3 OF 4 |
| APPROVED Joseph Hsu | 01/03/06 | | DRAWING NO. | RJMG16XXXXXX1XX |
| UNIT MM | | SIZE | A4 | REV. E1 |
| | | PART NO. | RJMG16XXXXXX1XX | |

This document is the property of Amphenol Corporation and is delivered on the express condition that it is not to be disclosed, reproduced or used, in whole or in part, for manufacture or sale by anyone other than Amphenol Corporation without its prior consent, and that no right is granted to disclose or to use any information in this document.

CUSTOMER DRAWING

| REVISIONS | | | | |
|-----------|---------|-----------------------|------------|------------|
| SYM | ECN No. | DESCRIPTION | DATE | APPROVED |
| E1 | | RELEASE TO PRODCUTION | 01/03/2006 | Joseph Hsu |

MATERIALS:

INSULATOR: THERMOPLASTIC POLYESTER,
 COLOR: BLACK
 FLAMMABILITY RATING UL 94V-0

CONTACTS (RJMG): PHOSPHOR BRONZE
 PLATING: SELECTIVE GOLD OVER MATING SURFACES.
 100 MICROINCHES BRIGHT TIN ON TAILS.

SHIELD: COPPER ALLOY T=0.2MM,
 NICKEL 50u"MIN, PRE-SOLDERING ON GROUND TAB.

DIMENSIONS MARKED WITH "*" SHALL BE MEASURED.

MECHANICAL FEATURES:

SOLDERABILITY: MIL-STD-202,METHOD 208.

MATING/UNMATING FORCE:
 RJ PORT MATING/UNMATING 2.1Kg MAX
 RETENTION FORCE FOR RJ PORT: 5Kg FOR 1 MINUTE

PACKAGING: 50PCS/PLASTIC TRAY,12 TRAYS/CARTON
 MEET FCC PART 68.500 REQUIREMENTS.

Environmental

OPERATING TEMPERATURE:0°C TO +70°C.
 STORAGE TEMPERATURE:-40°C TO +105°C.
 SOLDERING TEMPERATURE: 220°C FOR 10 SECONDS
 ALTITUDE OPERATING RANGE: SEA LEVEL TO 3000m
 Humidity: per MIL-STD-1344A,method 1002.1, test condition B
 Thermal Shock: per MIL-STD-1344A,method 1003.1, test condition A
 Vibration: per MIL-STD-1344A,method 2005.1, test condition J
 Mechanical Shock: per MIL-STD-1344A,method 2004.1, test condition C
 Salt Spray: 24 hours per MIL-STD-1344A,method 1001.1, test condition B

RJMG1-6 X X X - X X -X 1 X X

SHIELD OPTIONS
 3: STANDARD SHIELD WITH SIDE TABS

LED1 (RIGHT SIDE)

- 1: GREEN
- 2: YELLOW
- 4: GREEN/YELLOW
- 6: GREEN/ORANGE

LED2 (LEFT SIDE)
 SEE LED1

TERMINATION OPTIONS

- 3: 4x75 OHM RESISTORS, 68pf (2KV)
- 7: 4x75 OHM RESISTORS, 1000pf (2KV)
 TRANSMIT SHUNT CHOKE
- 8: 4x75 OHM RESISTORS, 1000pf (2KV)
 TRANSMIT SHUNT CHOKE
- 9: 4x75 OHM RESISTORS, 1000pf (2KV)
 TRANSMIT SHUNT CHOKE
- B: 4x75 OHM RESISTORS, 1000pf (2KV) SPECIAL

NOTE: TERMINATION OPTIONS "7", "9","B"
 ONLY AVAILABLE FOR 1:1 TURN RATIO.

COMPLIANCE CODE
 BLANCK: NONE-ROHS
 R: RoHS Compliant

PLATING THICKNESS ON MATING CONTACTS AND SHIELD SPEC

- L: Gold Flash, Copper Alloy Shield with Nickel 50u inch min
- M: Gold 15u in, Copper Alloy Shield with Nickel 50u inch min
- N: Gold 30u in, Copper Alloy Shield with Nickel 50u inch min

TIA WIRING
 0: STANDARD

URNS RATIO (TRANSMIT)

- 1: 1:1
- 6: 1:2



| | | | | | | |
|-----------|------------|----------|--|-----------------|-----------------|------|
| APPROVALS | | DATE | TITLE | | | |
| DRAWN | Lucy Lee | 01/03/06 | SINGLE PORT RJmag CONNECTOR SHIELD, WITH R&C TERMINATION | | | |
| CHECKED | Kevin Xie | 01/03/06 | 10/100 | | | |
| APPROVED | Joseph Hsu | 01/03/06 | | | | |
| UNIT | | MM | SIZE | PART NO. | DRAWING NO. | REV. |
| | | | A4 | RJMG16XXXXXX1XX | RJMG16XXXXXX1XX | E1 |
| SCALE | | | N.A. | | SHEET 4 OF 4 | |