

Mustang Toggle Switches



Specifications:

Contact rating:	250 V AC, 3 A / 125 V AC, 6 A 30 V DC, 4 A / 12 V DC, 5 A 6 V DC, 6 A
Contact resistance:	< 10 mΩ
Insulation resistance:	> 1000 MΩ at 500 V DC
Dielectric strength:	1500 V, 50 Hz for the duration of 1 minute
Operating temperature:	- 45° to + 140° C
Mechanical life:	minimum 300 000 operations
Contacts:	coin silver (common contact copper alloy, silver-plated) also available gold-plated version B and G (see page 4)
Terminals:	solder tags, copper alloy silver-plated further terminal versions see page 8
Material:	case: diallyle-phthalate, meets UL 94 V-0, black lever: chromium-plated, metal parts: nickel-plated
Mounting:	bushing 15/32-32 THD with locking plate (M 12 x 0,75), key 14 mm
Soldering conditions:	hand-soldering – max.: 60 W, 3 sec, 420° C auto-soldering – max.: 5 sec, 270° C

Accessories:

Plastic caps (height 12,7 mm)

orange	C 2103
blue	C 2104
black	C 2105
green	C 2106
grey	C 2107
yellow	C 2108
red	C 2109
white	C 2110



Waterproof sealing cap (height 21,4 mm)

grey	ET 307
------	--------



Waterproof sealing cap (height 11 mm)

grey	ET 507
------	--------



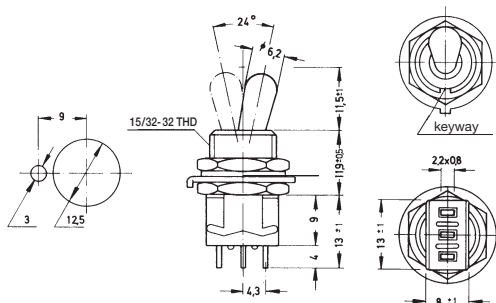


Mustang Toggle Switches

Models: Switching functions

SPDT

MTG 106 D	on	-	on
MTG 106 E	on	off	on
MTG 106 F	mom	-	on
MTG 106 G	mom	off	mom
MTG 106 H	mom	off	on

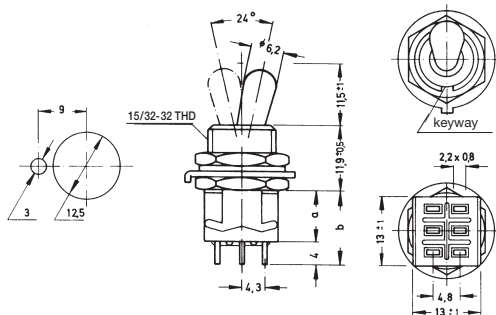


DPDT

MTG 206 N	on	-	on
MTG 206 P	on	off	on
MTG 206 R	mom	-	on
MTG 206 S	mom	off	mom
MTG 206 T	mom	off	on
MTG 206 PA*	on	on	on
MTG 206 SA*	mom	on	mom
MTG 206 TA*	mom	on	on

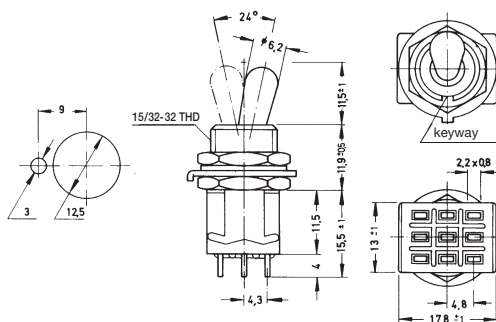
measures: a = 9, b = 13 ± 1

measures: a = 11,5, b = 15,5 ± 1



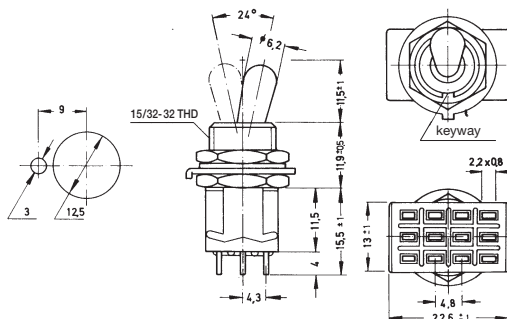
3PDT

MTG 306 D	on	-	on
MTG 306 E*	on	off	on
MTG 306 F*	mom	-	on
MTG 306 G*	mom	off	mom
MTG 306 H*	mom	off	on



4PDT

MTG 406 N	on	-	on
MTG 406 P*	on	off	on
MTG 406 R*	mom	-	on
MTG 406 S*	mom	off	mom
MTG 406 T*	mom	off	on
MTG 406 PA*	on	on	on
MTG 406 SA*	mom	on	mom
MTG 406 TA*	mom	on	on



* Non-stock item; minimum quantity and delivery time on request.

Specifications:

Contact rating:	250 V AC, 3 A / 125 V AC, 6 A 30 V DC, 4 A / 12 V DC, 5 A 6 V DC, 6 A
Contact resistance:	< 10 mΩ
Insulation resistance:	> 1000 MΩ at 500 V DC
Dielectric strength:	1500 V, 50 Hz for the duration of 1 minute
Operating temperature:	- 45° to + 140° C
Mechanical life:	minimum 100 000 operations
Contacts:	coin silver (common contact copper alloy, silver-plated) also available gold-plated version B and G (see page 4)
Terminals:	solder tags, copper alloy silver-plated; further terminal versions see page 8
Water proofing:	30 minutes at 1 m water column; IP 67
Sealing:	neoprene O-rings between toggle/bushing and bushing/panel
Material:	case: diallyle-phthalate, meets UL 94 V-0, black lever: chromium-plated, metal parts: nickel-plated
Mounting:	bushing 15/32-32 THD (M 12 x 0,75) locking through flat bush, key 14 mm
Soldering conditions:	hand-soldering – max.: 60 W, 3 sec, 420° C auto-soldering – max.: 5 sec, 270° C

Models:

Switching functions

S P D T

MTW 106 D	on	-	on
MTW 106 E*	on	off	on
MTW 106 F*	mom	-	on
MTW 106 G*	mom	off	mom
MTW 106 H*	mom	off	on

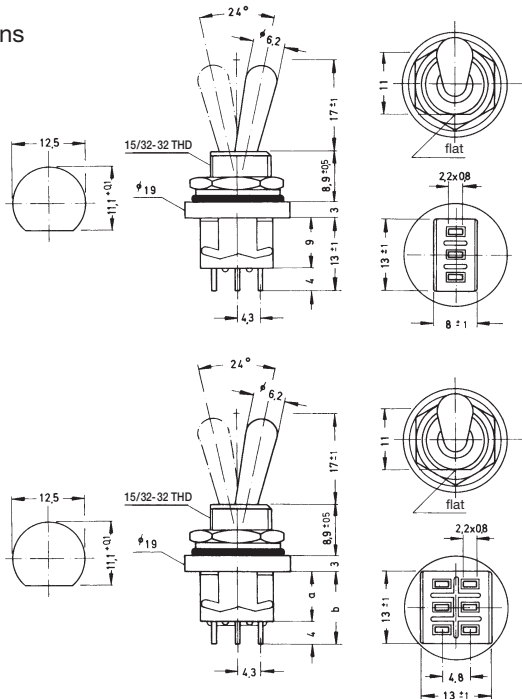
D P D T

MTW 206 N	on	-	on
MTW 206 P*	on	off	on
MTW 206 R*	mom	-	on
MTW 206 S*	mom	off	mom
MTW 206 T*	mom	off	on

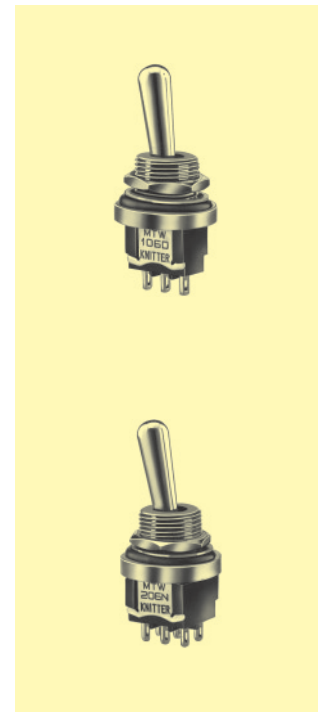
measures: a = 9, b = 13±1

MTW 206 PA*	on	on	on
-------------	----	----	----

measures: a = 11,5, b = 15,5±1



washable



* Non-stock item; minimum quantity and delivery time on request.

Accessories:

Waterproof sealing cap (height 11 mm)
grey ET 507