

Switchmode/High Frequency

Common Mode Inductors

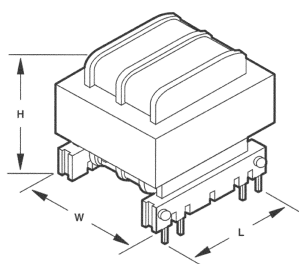


Figure A

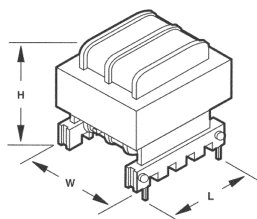


Figure B

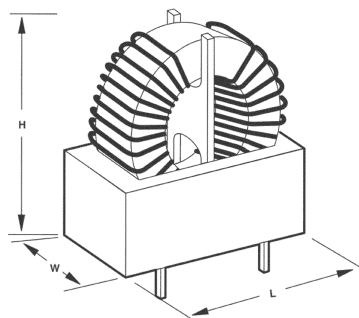


Figure C

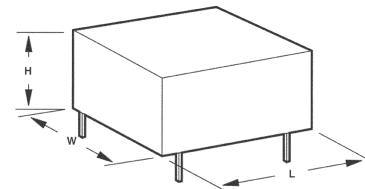


Figure D

:: Description

Highly dependable Triad common mode EMI suppression inductors are used in various types of power supplies to eliminate noise common to all lines. These units also provide effective differential mode filtering.

Meeting VDE, IEC, UL, and CSA requirements, they minimize AC line transmitted interference often created by high frequency switching power supplies. Normally placed close to the input source, these compact inductors are constructed with UL rated 130°C materials.

:: E-Core Inductors

Section	Type No.	Figure	Inductance mH min.	Amps R.M.S.	Max. DC Resistance	Min. Leakage	Dimensions						Wt. Lbs.	
							H	W	L	A	B	C		D
A	CME375-1	A	4.40	5.500	.049 Ohms	45.0 µH	1.18	1.26	1.50	.150	.600	.200	.036 Sq.	0.54
	CME375-2		6.90	4.400	.077 Ohms	70.0 µH								
	CME375-3		10.9	3.500	.122 Ohms	125.0 µH								
	CME375-4		17.8	2.700	.196 Ohms	180.0 µH								
	CME375-5		28.6	2.200	.316 Ohms	300.0 µH								
	CME375-6		43.6	1.750	.489 Ohms	440.0 µH								
	CME375-7		70.3	1.380	.785 Ohms	720.0 µH								
	CME375-8		111.6	1.100	1.240 Ohms	1.1 mH								
	CME375-9		176.1	.087	1.980 Ohms	1.8 mH								
B	CME2425-1	B	1.05	2.50	.050 Ohms	9.0 µH	1.075	1.050	1.050	.125	.800	.610	.029 Sq.	.154
	CME2425-2		2.37	2.00	.080 Ohms	14.0 µH								
	CME2425-3		3.8	1.60	.127 Ohms	25.0 µH								
	CME2425-4		6.0	1.28	.202 Ohms	36.0 µH								
	CME2425-5		9.8	1.00	.319 Ohms	60.0 µH								
	CME2425-6		16.0	0.80	.500 Ohms	90.0 µH								
	CME2425-7		27.7	0.63	.820 Ohms	144.0 µH								
	CME2425-8		40.5	0.50	1.260 Ohms	240.0 µH								
	CME2425-9		67.5	0.40	2.020 Ohms	360.0 µH								

A CME375-KIT is available which includes each one of the components in section A.
 A CME2425-KIT is available which includes each one of the components in section B.

:: Encapsulated Toroidal Inductors

Section	Type No.	Figure	Min. Inductance	Amps R.M.S.	Max. DC Resistance	Min. Leakage	Dimensions					Wt. Lbs.
							H	W	L	A	B	
C	CMT908-V1	C	2.00 mH	7.50	.020 Ohms	25.0 µH	1.50	.800	1.45	.9	.6	.08
	CMT908-V2		4.00 mH	5.20	.040 Ohms	45.0 uH						
	CMT908-V3		8.00 mH	3.20	.120 Ohms	90.0 µH						
	CMT908-V4		16.00mH	2.60	.160 Ohms	180.0 µH						
D	CMT908-H1	D	2.00 mH	7.50	.020 Ohms	25.0 µH	.80	1.5	1.5	1.08	1.28	.120
	CMT908-H2		4.00 mH	5.20	.040 Ohms	45.0 uH						
	CMT908-H3		8.00 mH	3.20	.120 Ohms	90.0 µH						
	CMT908-H4		16.00mH	2.60	.160 Ohms	180.0 µH						

A CMT908-KIT is available which includes one of each of the above listed components.

Outline Dimensions

Technical Notes

- 1. Hi-pot tested at 2,500 VRMS.
- 2. DC resistance at 20°C ±10%.
- 3. Inductances are minimum measured at 10 Gauss.
- 4. Current ratings for approximately 40°C temperature rise.

Figure A

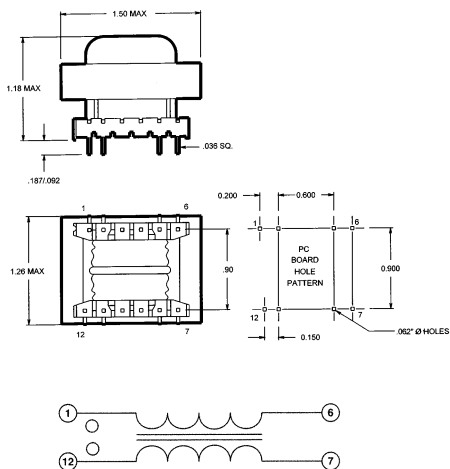


Figure B

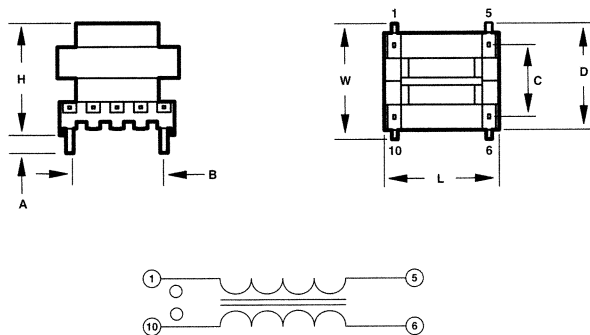


Figure C

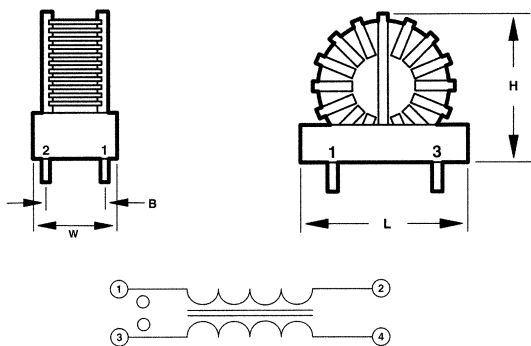
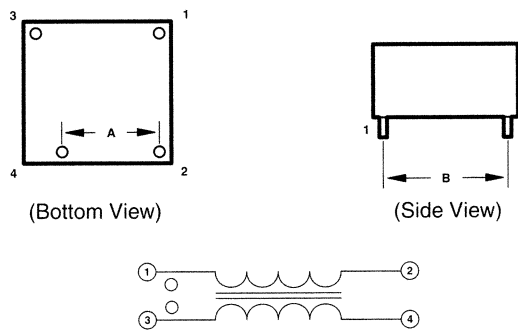


Figure D



Triad Magnetics is in the business to provide our customers with the best solutions for their magnetics needs.