

Magnetic absolute singleturn encoder

BMSH parallel - *MAGRES*

4143905

features

- 9 Bit singleturn resolution
- Zero-point programmable
- Parallel interface



general data

voltage supply	5 VDC \pm 10% (05T)
max. supply current (no load)	typ. 100 mA
steps/rev	512
max. measuring step	9 Bit (1 step relates to 42' 11")
pulse tolerance	\pm 1°
switching frequency fmax.	51,2 kHz
input signal	Zero (zerosetting: < 0,4 V, > 2 ms off state: 3,3 V or open)
sense of rotation	looking at the <i>MAGRES</i> flange counts up as the shaft rotates clockwise (CW)

mechanical data

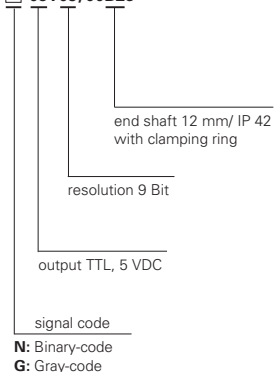
max. revolutions	6'000 rev/min
rotor inertia	typ. 12×10^{-7} kgm ²
torque	typ. 0,93 cNm (3000 rev/min 20 °C)
product life	depending on ambient conditions (typ. 10 ⁹ revolutions)
max. protection class	shaft IP 42 / housing IP 64
material	housing: inox/aluminum flange: aluminum
weight	approx. 120 g

ambient conditions

temperature range	-20...+85 °C
relative humidity	max. relative humidity 95%
vibration	IEC 68 part 2-6 (≤ 100 m/s ² / 10 - 200 Hz)
shock	IEC 68 part 2-27 (≤ 500 m/s ² / 11 ms)

order designation

BMSH 42S1 □ 05T09/00B25

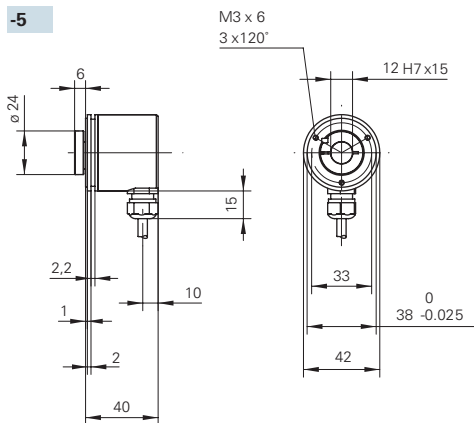


accessories

servo clamp set	part nr. 110616
field plate set	part nr. 138610
shaft adapter	(see accessories section)



dimensions and connection dimensions



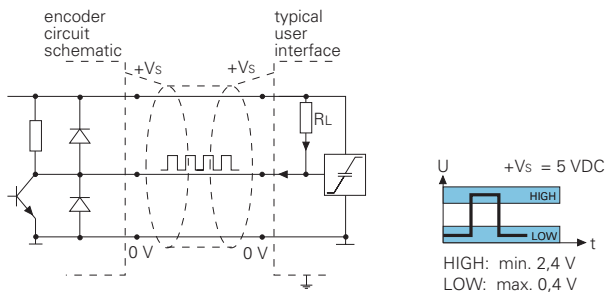
assignment cable

for connection reference **-5**

cable color	signals	description
white	0 V	voltage supply
brown	+Vs	voltage supply
green	Bit 1 LSB	
yellow	Bit 2	
grey	Bit 3	
pink	Bit 4	
blue	Bit 5	
red	Bit 6	
black	Bit 7	
violet	Bit 8	
grey/pink	Bit 9 MSB	
red/blue	Zero	zero setting input

output level

05T



voltage supply	5 VDC $\pm 10\%$
supply current (+Vs / o. charge)	typ. 100 mA
output current	HIGH 2 mA / LOW 10 mA