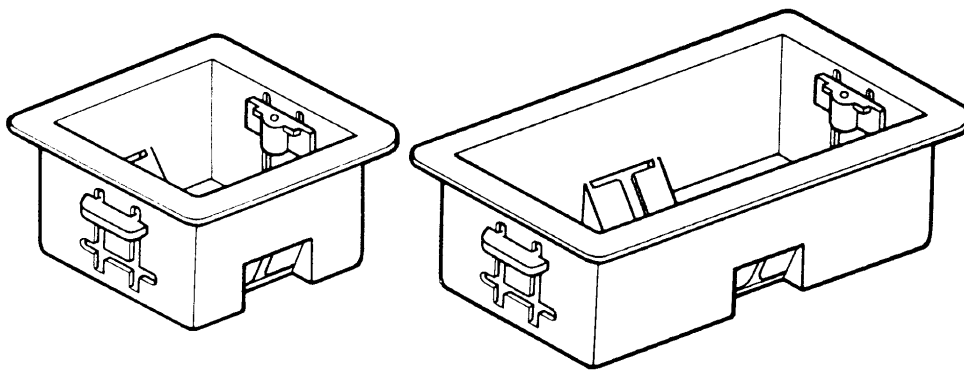


■ BOXES FOR PARTITION WALLS



Easy fixing switch or socket boxes for cavity partition walls.

- New positive clip action
- Fits flush to wall
- 1 and 2 gang versions available
- Hole and cut outs for cable entry
- 32 mm internal depth
- Adjustable for 6-20 mm board thickness

1 Gang

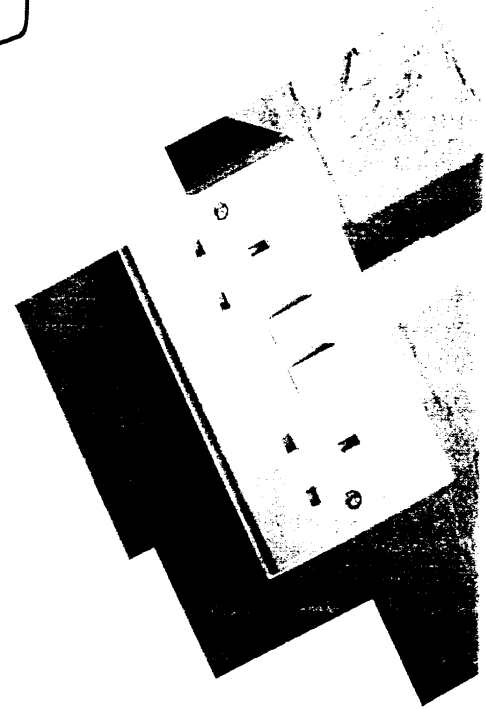
35 mm deep 75 mm x 75 mm nominal aperture size.

Ref.	Packed
SB 9200	20
SB 9200C	100

2 Gang

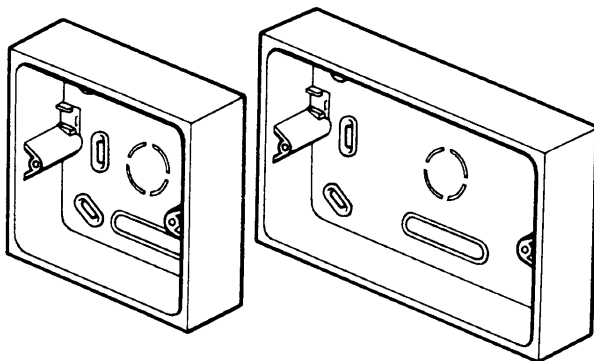
35 mm deep 75 mm x 135 mm nominal aperture size.

Ref.	Packed
SB 9202	10
SB 9202C	100



32 mm Deep Boxes

Universal Corners will accept round and square cornered accessories.



1 Gang

32 mm deep. Universal Corners.

Type	Ref.	Packed
Plain sides	PBU 321	10
With Knockouts	KBU 321	10

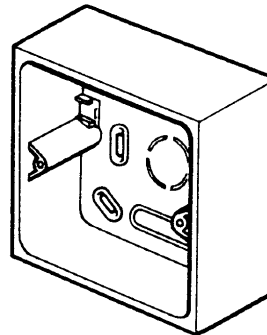
2 Gang

32 mm deep. Universal Corners.

Type	Ref.	Packed
Plain sides	PBU 322	10
With Knockouts	KBU 322	10

44 mm Deep Boxes

Universal Corners will accept round and square cornered accessories.



1 Gang

44 mm deep. Universal Corners.

Type	Ref.	Packed
Plain sides	PBU 441	10
With Knockouts	KBU 441	10

32 mm and 44 mm boxes have 25 mm oval and 25 mm round cut outs in the base for back entry