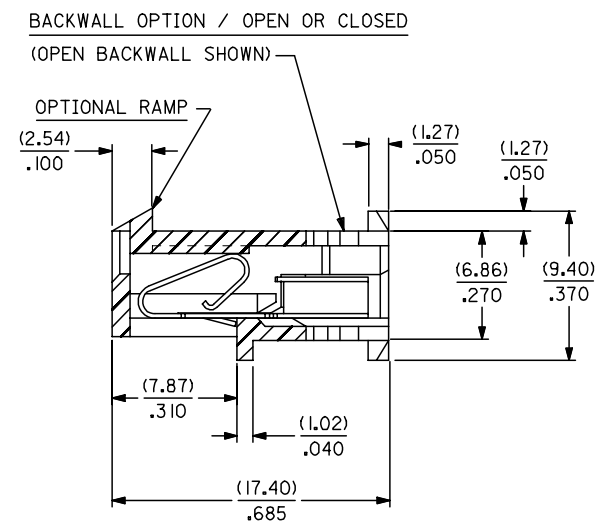
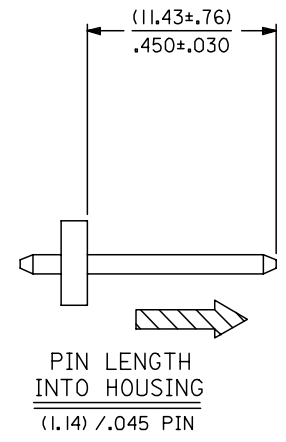


**NOTES:**

1. MATERIAL: HOUSING - NYLON 6/6, UL94V-2, COLOR: NATURAL  
TERMINALS - BRASS, (0.28)/.011 THICK
2. FINISH: SEE SHEET 2
3. PRODUCT SPECIFICATION: PS-7660
4. PACKAGING: ALL PARTS ARE TO BE BULK PACKED PER PK-7674-001 UNLESS OTHERWISE SPECIFIED IN CHART.
5. CHAIN CUTOFF: \*A\* DIMENSION PLUS (0.25)/.010.
6. EACH CIRCUIT MUST HAVE A MINIMUM OF 0.50 POUNDS RETENTION WHEN CHECKED WITH A TIN PLATED [(102) PLT.] (1.14)/.045 SQUARE BRASS PIN, AND A TIN PLATED [(102) PLT.] TERMINAL ONLY.



|   |                               |   |   |   |  |                            |                   |                        |
|---|-------------------------------|---|---|---|--|----------------------------|-------------------|------------------------|
| ADD P/N 50-34-8520<br>EC NO: UCP2006-3024<br>DRWN:ADERR 2006/06/23<br>CHKD:LSCHMIDT 2006/06/27<br>APPR:FSMITH 2006/06/28<br>AZZ | QUALITY SYMBOLS<br>▽=0<br>▽=0 | GENERAL TOLERANCES (UNLESS SPECIFIED)   |   | DIMENSION STYLE MM/IN   |  | SCALE ---                  | DESIGN UNITS INCH | THIRD ANGLE PROJECTION |
|   |                               | 4 PLACES ± --- ± ---<br>3 PLACES ± --- ± .015<br>2 PLACES ± 0.36 ± .010<br>1 PLACE ± 0.25 ± ---<br>ANGULAR ± 1/2° | mm INCH<br>DRAWN BY DATE<br>CHECKED BY DATE<br>APPROVED BY DATE<br>WRL 1986/02/14 | TITLE<br>CONNECTOR ASSEMBLY<br>KK (3.96)/.156 CENTER<br>INSULATION DISPLACEMENT |  |                            |                   |                        |
|   |                               | DRAFT WHERE APPLICABLE MUST REMAIN WITHIN DIMENSIONS  |   | MATERIAL NO. SEE CHART  |  | DOCUMENT NO. SDA-7675-**** |                   | SHEET NO. 1 OF *       |

6

5

4

3

2


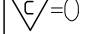
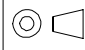

1

| COLOR IDENTIFICATION   |        | TYPE OF WIRE TERMINATED<br>(ALL WIRES HAVE A MAXIMUM<br>INSULATION DIAMETER OF<br>(2.41) / .095) |
|------------------------|--------|--|
| ASSEMBLY<br>SUFFIX NO. | COLOR  |  |
| --NA*                  | YELLOW | *18 GA. SOLID OR<br>FUSED STRANDED   |
| --NM*                  | RED    | *20 GA. SOLID OR FUSED<br>STRANDED & *18 GA. STRANDED  |
| --NL*                  | BLUE   | *20 GA. STRANDED WIRE  |
| --ND*                  | GREEN  | *26 & *27 GA. STRANDED, FUSED<br>STRANDED & SOLID WIRE OR<br>*24 GA. STRANDED WIRE               |
| --NJ*                  | BLACK  | *24 & *22 GA. SOLID OR FUSED   |

| CIRCUIT<br>SIZE | DIM.<br>"A"      | DIM.<br>"B"      | CIRCUIT<br>SIZE | DIM.<br>"A"      | DIM.<br>"B"      |
|-----------------|------------------|------------------|-----------------|------------------|------------------|
| 2               | (8.38)<br>.330   | (3.96)<br>.156   | 13              | (51.97)<br>2.046 | (47.55)<br>1.872 |
| 3               | (12.34)<br>.486  | (7.92)<br>.312   | 14              | (55.93)<br>2.202 | (51.51)<br>2.028 |
| 4               | (16.31)<br>.642  | (11.89)<br>.468  | 15              | (59.89)<br>2.358 | (55.47)<br>2.184 |
| 5               | (20.27)<br>.798  | (15.85)<br>.624  | 16              | (63.86)<br>2.514 | (59.44)<br>2.340 |
| 6               | (24.23)<br>.954  | (19.81)<br>.780  | 17              | (67.82)<br>2.670 | (63.40)<br>2.496 |
| 7               | (28.19)<br>1.110 | (23.77)<br>.936  | 18              | (71.78)<br>2.826 | (67.36)<br>2.652 |
| 8               | (32.16)<br>1.266 | (27.74)<br>1.092 | 19              | (75.74)<br>2.982 | (71.32)<br>2.808 |
| 9               | (36.12)<br>1.422 | (31.70)<br>1.248 | 20              | (79.71)<br>3.138 | (75.29)<br>2.964 |
| 10              | (40.08)<br>1.578 | (35.66)<br>1.404 | 21              | (83.67)<br>3.294 | (79.25)<br>3.120 |
| 11              | (44.04)<br>1.734 | (39.62)<br>1.560 | 22              | (87.63)<br>3.450 | (83.21)<br>3.276 |
| 12              | (48.00)<br>1.890 | (43.59)<br>1.716 | 23              | (91.59)<br>3.606 | (87.17)<br>3.432 |
|                 |                  |                  | 24              | (95.55)<br>3.762 | (91.14)<br>3.588 |

TERMINAL FINISH:

- (102) OVERALL TIN: 0.00508/.000200 MIN. OVER  
COPPER: 0.00254/.000100 MIN.
- (154) OVERALL TIN: 0.00254/.000100 MIN. OVER  
NICKEL: 0.00127/.000050 MIN.
- (208) SELECT GOLD: 0.00038/.000015 MIN.  
SELECT TIN: 0.00254/.000100 MIN.  
WITH OVERALL NICKEL UNDERPLATE: 0.00127/.000050 MIN.
- (502) OVERALL GOLD: 0.00051/.000020 MIN.  
WITH OVERALL NICKEL UNDERPLATE: 0.00127/.000050 MIN.
- (503) OVERALL GOLD: 0.00076/.000030 MIN.  
WITH OVERALL NICKEL UNDERPLATE: 0.00127/.000050 MIN.
- (555) SELECT GOLD: 0.00038/.000015 MIN.  
WITH OVERALL NICKEL UNDERPLATE: 0.00076/.000030 MIN.
- (562) SELECT GOLD: 0.00051/.000020 MIN.  
WITH OVERALL NICKEL UNDERPLATE: 0.00076/.000030 MIN.
- (565) SELECT GOLD: 0.00051/.000020 MIN.  
OVERALL GOLD FLASH: 0.00005/.000002 MIN.  
WITH OVERALL NICKEL UNDERPLATE: 0.00076/.000030 MIN.

|  |  |  |        |   |  |                     |   |   |  |
|--|--|--|--------|---|--|---------------------|---|---|--|
| ADD FINISH NOTE<br>EC NO: UCP2006-3024<br>DRWN:ADERR 2006/06/23<br>CHKD:LSCHMIDT 2006/06/27<br>APPR:FSMITH 2006/06/28<br>AZZ | QUALITY<br>SYMBOLS<br> =0<br> =0 | GENERAL TOLERANCES<br>(UNLESS SPECIFIED) |        | DIMENSION STYLE<br>MM/IN  |  | SCALE<br>---        | DESIGN UNITS<br>INCH  |  THIRD ANGLE<br>PROJECTION |  |
|  |  | 4 PLACES                                 | ± ---  | ± ---   | DRAWN BY   | DATE                | TITLE<br>CONNECTOR ASSEMBLY<br>KK (3.96)/.156 CENTER<br>INSULATION DISPLACEMENT |   |  |
|  |  | 3 PLACES                                 | ± ---  | ± .015  | CHECKED BY   | DATE                |   |   |  |
|  |  | 2 PLACES                                 | ± 0.36 | ± .01   | APPROVED BY  | DATE                | MOLEX INCORPORATED  |   |  |
| 1 PLACE  | ± 0.25   | ± ---                                    | WRL    | 1986/02/14  |  |                     |   |   |  |
| DRAFT WHERE APPLICABLE<br>MUST REMAIN<br>WITHIN DIMENSIONS   |  | ANGULAR ±1/2°                            |        | MATERIAL NO.<br>SEE CHART   | DOCUMENT NO.<br>SDA-7675-****  | SHEET NO.<br>2 OF * |   |   |  |
|  |  |  |        | SIZE<br> | THIS DRAWING CONTAINS INFORMATION THAT IS PROPRIETARY TO MOLEX<br>INCORPORATED AND SHOULD NOT BE USED WITHOUT WRITTEN PERMISSION |                     |   |   |  |

5

4

3

2

1

| A-7675-ANA       |              | A-7675-BNA       |              | A-7675-CNA       |              | A-7675-DNA       |              |
|------------------|--------------|------------------|--------------|------------------|--------------|------------------|--------------|
| HOUSING          | 7674-AN      | HOUSING          | 7674-BN      | HOUSING          | 7674-CN      | HOUSING          | 7674-DN      |
| TERM. NO         | 40591-A(102) | TERM. NO         | 40591-A(102) | TERM. NO         | 40591-A(102) | TERM. NO         | 40591-A(102) |
| BACKWALL:        | NO           | BACKWALL:        | NO           | BACKWALL:        | YES          | BACKWALL:        | YES          |
| RAMP             | NO           | RAMP             | YES          | RAMP             | NO           | RAMP             | YES          |
| MOLD VOID IN CKT | NONE         | MOLD VOID IN CKT | NONE         | MOLD VOID IN CKT | NONE         | MOLD VOID IN CKT | NONE         |
| VOID TERM.IN CKT | NONE         | VOID TERM.IN CKT | NONE         | VOID TERM.IN CKT | NONE         | VOID TERM.IN CKT | NONE         |
| MATL NO          | ENG NO:      | MATL NO          | ENG NO:      | MATL NO          | ENG NO:      | MATL NO          | ENG NO:      |
| 09-07-0027       | A-7675-A02A  | 09-06-0027       | A-7675-B02A  | 09-07-0028       | A-7675-C02A  | 09-06-0028       | A-7675-D02A  |
| 09-07-0037       | A-7675-A03A  | 09-06-0037       | A-7675-B03A  | 09-07-0038       | A-7675-C03A  | 09-06-0038       | A-7675-D03A  |
| 09-07-0047       | A-7675-A04A  | 09-06-0047       | A-7675-B04A  | 09-07-0048       | A-7675-C04A  | 09-06-0048       | A-7675-D04A  |
| 09-07-0057       | A-7675-A05A  | 09-06-0057       | A-7675-B05A  | 09-07-0058       | A-7675-C05A  | 09-06-0058       | A-7675-D05A  |
| 09-07-0067       | A-7675-A06A  | 09-06-0067       | A-7675-B06A  | 09-07-0068       | A-7675-C06A  | 09-06-0068       | A-7675-D06A  |
| 09-07-0077       | A-7675-A07A  | 09-06-0077       | A-7675-B07A  | 09-07-0078       | A-7675-C07A  | 09-06-0078       | A-7675-D07A  |
| 09-07-0087       | A-7675-A08A  | 09-06-0087       | A-7675-B08A  | 09-07-0088       | A-7675-C08A  | 09-06-0088       | A-7675-D08A  |
| 09-07-0097       | A-7675-A09A  | 09-06-0097       | A-7675-B09A  | 09-07-0098       | A-7675-C09A  | 09-06-0098       | A-7675-D09A  |
| 09-07-0107       | A-7675-A10A  | 09-06-0107       | A-7675-B10A  | 09-07-0108       | A-7675-C10A  | 09-06-0108       | A-7675-D10A  |
| 09-07-0117       | A-7675-A11A  | 09-06-0117       | A-7675-B11A  | 09-07-0118       | A-7675-C11A  | 09-06-0118       | A-7675-D11A  |
| 09-07-0127       | A-7675-A12A  | 09-06-0127       | A-7675-B12A  | 09-07-0128       | A-7675-C12A  | 09-06-0128       | A-7675-D12A  |
| 09-07-0137       | A-7675-A13A  | 09-06-0137       | A-7675-B13A  | 09-07-0138       | A-7675-C13A  | 09-06-0138       | A-7675-D13A  |
| 09-07-0147       | A-7675-A14A  | 09-06-0147       | A-7675-B14A  | 09-07-0148       | A-7675-C14A  | 09-06-0148       | A-7675-D14A  |
| 09-07-0157       | A-7675-A15A  | 09-06-0157       | A-7675-B15A  | 09-07-0158       | A-7675-C15A  | 09-06-0158       | A-7675-D15A  |
| 09-07-0167       | A-7675-A16A  | 09-06-0167       | A-7675-B16A  | 09-07-0168       | A-7675-C16A  | 09-06-0168       | A-7675-D16A  |
| 09-07-0177       | A-7675-A17A  | 09-06-0177       | A-7675-B17A  | 09-07-0178       | A-7675-C17A  | 09-06-0178       | A-7675-D17A  |
| 09-07-0187       | A-7675-A18A  | 09-06-0187       | A-7675-B18A  | 09-07-0188       | A-7675-C18A  | 09-06-0188       | A-7675-D18A  |
| 09-07-0197       | A-7675-A19A  | 09-06-0197       | A-7675-B19A  | 09-07-0198       | A-7675-C19A  | 09-06-0198       | A-7675-D19A  |
| 09-07-0207       | A-7675-A20A  | 09-06-0207       | A-7675-B20A  | 09-07-0208       | A-7675-C20A  | 09-06-0208       | A-7675-D20A  |
| 09-07-0217       | A-7675-A21A  | 09-06-0217       | A-7675-B21A  | 09-07-0218       | A-7675-C21A  | 09-06-0218       | A-7675-D21A  |
| 09-07-0227       | A-7675-A22A  | 09-06-0227       | A-7675-B22A  | 09-07-0228       | A-7675-C22A  | 09-06-0228       | A-7675-D22A  |
| 09-07-0237       | A-7675-A23A  | 09-06-0237       | A-7675-B23A  | 09-07-0238       | A-7675-C23A  | 09-06-0238       | A-7675-D23A  |
| 09-07-0247       | A-7675-A24A  | 09-06-0247       | A-7675-B24A  | 09-07-0248       | A-7675-C24A  | 09-06-0248       | A-7675-D24A  |

|  |   |   |  |
|--|---|---|--|
| REVISION:<br><b>AZ2</b>                  | ECR/ECN INFORMATION:<br>EC No.: <b>UCP2006-3024</b><br>DATE: <b>6/29/2006</b> | TITLE:<br><b>CONNECTOR ASSEMBLY<br/>KK (3.96)/.156 CENTER<br/>INSULATION DISPLACEMENT</b> | SHEET No.<br><b>3</b>                    |
| DOCUMENT NUMBER:<br><b>SDA-7675-****</b> | CREATED / REVISED BY:<br><b>ADERR 2006/06/16</b>                              | CHECKED BY:<br><b>LSCHMIDT 2006/06/19</b>   | APPROVED BY:<br><b>FSMITH 2006/06/20</b> |

| A-7675-ANAA      |              | A-7675-BNAA      |              | A-7675-CNAA      |              | A-7675-DNAA      |              |
|------------------|--------------|------------------|--------------|------------------|--------------|------------------|--------------|
| HOUSING          | 7674-ANAA    | HOUSING          | 7674-BNAA    | HOUSING          | 7674-CNAA    | HOUSING          | 7674-DNAA    |
| TERM. NO         | 40591-A(502) | TERM. NO         | 40591-A(502) | TERM. NO         | 40591-A(502) | TERM. NO         | 40591-A(502) |
| BACKWALL:        | NO           | BACKWALL:        | NO           | BACKWALL:        | YES          | BACKWALL:        | YES          |
| RAMP             | NO           | RAMP             | YES          | RAMP             | NO           | RAMP             | YES          |
| MOLD VOID IN CKT | NONE         | MOLD VOID IN CKT | NONE         | MOLD VOID IN CKT | NONE         | MOLD VOID IN CKT | NONE         |
| VOID TERM.IN CKT | NONE         | VOID TERM.IN CKT | NONE         | VOID TERM.IN CKT | NONE         | VOID TERM.IN CKT | NONE         |
| MATL NO          | ENG NO:      | MATL NO          | ENG NO:      | MATL NO          | ENG NO:      | MATL NO          | ENG NO:      |
|                  | A-7675-A02AA |                  | A-7675-B02AA |                  | A-7675-C02AA |                  | A-7675-D02AA |
|                  | A-7675-A03AA |                  | A-7675-B03AA |                  | A-7675-C03AA |                  | A-7675-D03AA |
|                  | A-7675-A04AA |                  | A-7675-B04AA |                  | A-7675-C04AA |                  | A-7675-D04AA |
|                  | A-7675-A05AA |                  | A-7675-B05AA |                  | A-7675-C05AA |                  | A-7675-D05AA |
|                  | A-7675-A06AA |                  | A-7675-B06AA |                  | A-7675-C06AA |                  | A-7675-D06AA |
|                  | A-7675-A07AA |                  | A-7675-B07AA |                  | A-7675-C07AA |                  | A-7675-D07AA |
|                  | A-7675-A08AA |                  | A-7675-B08AA |                  | A-7675-C08AA |                  | A-7675-D08AA |
|                  | A-7675-A09AA |                  | A-7675-B09AA |                  | A-7675-C09AA |                  | A-7675-D09AA |
|                  | A-7675-A10AA |                  | A-7675-B10AA | 26-32-0103       | A-7675-C10AA |                  | A-7675-D10AA |
|                  | A-7675-A11AA |                  | A-7675-B11AA |                  | A-7675-C11AA |                  | A-7675-D11AA |
|                  | A-7675-A12AA |                  | A-7675-B12AA |                  | A-7675-C12AA |                  | A-7675-D12AA |
|                  | A-7675-A13AA |                  | A-7675-B13AA |                  | A-7675-C13AA |                  | A-7675-D13AA |
|                  | A-7675-A14AA |                  | A-7675-B14AA |                  | A-7675-C14AA |                  | A-7675-D14AA |
|                  | A-7675-A15AA |                  | A-7675-B15AA |                  | A-7675-C15AA |                  | A-7675-D15AA |
|                  | A-7675-A16AA |                  | A-7675-B16AA | 26-32-0163       | A-7675-C16AA |                  | A-7675-D16AA |
|                  | A-7675-A17AA |                  | A-7675-B17AA |                  | A-7675-C17AA |                  | A-7675-D17AA |
|                  | A-7675-A18AA |                  | A-7675-B18AA |                  | A-7675-C18AA |                  | A-7675-D18AA |
|                  | A-7675-A19AA |                  | A-7675-B19AA |                  | A-7675-C19AA |                  | A-7675-D19AA |
|                  | A-7675-A20AA |                  | A-7675-B20AA |                  | A-7675-C20AA |                  | A-7675-D20AA |
|                  | A-7675-A21AA |                  | A-7675-B21AA |                  | A-7675-C21AA |                  | A-7675-D21AA |
|                  | A-7675-A22AA |                  | A-7675-B22AA |                  | A-7675-C22AA |                  | A-7675-D22AA |
|                  | A-7675-A23AA |                  | A-7675-B23AA |                  | A-7675-C23AA |                  | A-7675-D23AA |
|                  | A-7675-A24AA |                  | A-7675-B24AA |                  | A-7675-C24AA |                  | A-7675-D24AA |

|  |   |   |  |
|--|---|---|--|
| REVISION:<br><b>AZ2</b>                  | ECR/ECN INFORMATION:<br>EC No.: <b>UCP2006-3024</b><br>DATE: <b>6/29/2006</b> | TITLE:<br><b>CONNECTOR ASSEMBLY<br/>KK (3.96)/.156 CENTER<br/>INSULATION DISPLACEMENT</b> | SHEET No.<br><b>4</b>                    |
| DOCUMENT NUMBER:<br><b>SDA-7675-****</b> | CREATED / REVISED BY:<br><b>ADERR 2006/06/16</b>                              | CHECKED BY:<br><b>LSCHMIDT 2006/06/19</b>   | APPROVED BY:<br><b>FSMITH 2006/06/20</b> |

| A-7675-ANAH      |              | A-7675-BNAH      |              | A-7675-CNAH      |              | A-7675-DNAH      |              |
|------------------|--------------|------------------|--------------|------------------|--------------|------------------|--------------|
| HOUSING          | 7674-ANAH    | HOUSING          | 7674-BNAH    | HOUSING          | 7674-CNAH    | HOUSING          | 7674-DNAH    |
| TERM. NO         | 40591-A(555) | TERM. NO         | 40591-A(555) | TERM. NO         | 40591-A(555) | TERM. NO         | 40591-A(555) |
| BACKWALL:        | NO           | BACKWALL:        | NO           | BACKWALL:        | YES          | BACKWALL:        | YES          |
| RAMP             | NO           | RAMP             | YES          | RAMP             | NO           | RAMP             | YES          |
| MOLD VOID IN CKT | NONE         | MOLD VOID IN CKT | NONE         | MOLD VOID IN CKT | NONE         | MOLD VOID IN CKT | NONE         |
| VOID TERM.IN CKT | NONE         | VOID TERM.IN CKT | NONE         | VOID TERM.IN CKT | NONE         | VOID TERM.IN CKT | NONE         |
| MATL NO          | ENG NO:      | MATL NO          | ENG NO:      | MATL NO          | ENG NO:      | MATL NO          | ENG NO:      |
|                  | A-7675-A02AH | 26-32-9024       | A-7675-B02AH |                  | A-7675-C02AH | 26-32-9020       | A-7675-D02AH |
|                  | A-7675-A03AH | 26-32-9034       | A-7675-B03AH |                  | A-7675-C03AH | 26-32-9030       | A-7675-D03AH |
|                  | A-7675-A04AH | 26-32-9044       | A-7675-B04AH |                  | A-7675-C04AH | 26-32-9040       | A-7675-D04AH |
|                  | A-7675-A05AH |                  | A-7675-B05AH |                  | A-7675-C05AH | 26-32-9050       | A-7675-D05AH |
|                  | A-7675-A06AH | 26-32-9064       | A-7675-B06AH |                  | A-7675-C06AH | 26-32-9060       | A-7675-D06AH |
|                  | A-7675-A07AH |                  | A-7675-B07AH |                  | A-7675-C07AH | 26-32-9070       | A-7675-D07AH |
|                  | A-7675-A08AH | 26-32-9084       | A-7675-B08AH |                  | A-7675-C08AH | 26-32-9080       | A-7675-D08AH |
|                  | A-7675-A09AH |                  | A-7675-B09AH |                  | A-7675-C09AH | 26-32-9090       | A-7675-D09AH |
|                  | A-7675-A10AH |                  | A-7675-B10AH |                  | A-7675-C10AH | 26-32-9100       | A-7675-D10AH |
|                  | A-7675-A11AH |                  | A-7675-B11AH |                  | A-7675-C11AH | 26-32-9110       | A-7675-D11AH |
|                  | A-7675-A12AH |                  | A-7675-B12AH |                  | A-7675-C12AH | 26-32-9120       | A-7675-D12AH |
|                  | A-7675-A13AH |                  | A-7675-B13AH |                  | A-7675-C13AH | 26-32-9130       | A-7675-D13AH |
|                  | A-7675-A14AH |                  | A-7675-B14AH |                  | A-7675-C14AH | 26-32-9140       | A-7675-D14AH |
|                  | A-7675-A15AH |                  | A-7675-B15AH |                  | A-7675-C15AH | 26-32-9150       | A-7675-D15AH |
|                  | A-7675-A16AH |                  | A-7675-B16AH |                  | A-7675-C16AH | 26-32-9160       | A-7675-D16AH |
|                  | A-7675-A17AH |                  | A-7675-B17AH |                  | A-7675-C17AH | 26-32-9170       | A-7675-D17AH |
|                  | A-7675-A18AH |                  | A-7675-B18AH |                  | A-7675-C18AH | 26-32-9180       | A-7675-D18AH |
|                  | A-7675-A19AH |                  | A-7675-B19AH |                  | A-7675-C19AH | 26-32-9190       | A-7675-D19AH |
|                  | A-7675-A20AH |                  | A-7675-B20AH |                  | A-7675-C20AH | 26-32-9200       | A-7675-D20AH |
|                  | A-7675-A21AH |                  | A-7675-B21AH |                  | A-7675-C21AH | 26-32-9210       | A-7675-D21AH |
|                  | A-7675-A22AH |                  | A-7675-B22AH |                  | A-7675-C22AH | 26-32-9220       | A-7675-D22AH |
|                  | A-7675-A23AH |                  | A-7675-B23AH |                  | A-7675-C23AH | 26-32-9230       | A-7675-D23AH |
|                  | A-7675-A24AH |                  | A-7675-B24AH |                  | A-7675-C24AH | 26-32-9240       | A-7675-D24AH |

|  |   |   |  |
|--|---|---|--|
| REVISION:<br><b>AZ2</b>                  | ECR/ECN INFORMATION:<br>EC No.: <b>UCP2006-3024</b><br>DATE: <b>6/29/2006</b> | TITLE:<br><b>CONNECTOR ASSEMBLY<br/>KK (3.96)/.156 CENTER<br/>INSULATION DISPLACEMENT</b> | SHEET No.<br><b>5</b>                    |
| DOCUMENT NUMBER:<br><b>SDA-7675-****</b> | CREATED / REVISED BY:<br><b>ADERR 2006/06/16</b>                              | CHECKED BY:<br><b>LSCHMIDT 2006/06/19</b>   | APPROVED BY:<br><b>FSMITH 2006/06/20</b> |

| A-7675-CNAG      |              |                  |         |                  |         |                  |         |
|------------------|--------------|------------------|---------|------------------|---------|------------------|---------|
| HOUSING          | 7674-CNG     | HOUSING          |         | HOUSING          |         | HOUSING          |         |
| TERM. NO         | 40591-A(102) | TERM. NO         |         | TERM. NO         |         | TERM. NO         |         |
| BACKWALL:        | YES          | BACKWALL:        |         | BACKWALL:        |         | BACKWALL:        |         |
| RAMP             | NO           | RAMP             |         | RAMP             |         | RAMP             |         |
| MOLD VOID IN CKT | 7            | MOLD VOID IN CKT |         | MOLD VOID IN CKT |         | MOLD VOID IN CKT |         |
| VOID TERM.IN CKT | 7            | VOID TERM.IN CKT |         | VOID TERM.IN CKT |         | VOID TERM.IN CKT |         |
| MATL NO          | ENG NO:      | MATL NO          | ENG NO: | MATL NO          | ENG NO: | MATL NO          | ENG NO: |
|                  |              |                  |         |                  |         |                  |         |
|                  |              |                  |         |                  |         |                  |         |
|                  |              |                  |         |                  |         |                  |         |
|                  |              |                  |         |                  |         |                  |         |
|                  |              |                  |         |                  |         |                  |         |
|                  | A-7675-C07AG |                  |         |                  |         |                  |         |
|                  | A-7675-C08AG |                  |         |                  |         |                  |         |
|                  | A-7675-C09AG |                  |         |                  |         |                  |         |
|                  | A-7675-C10AG |                  |         |                  |         |                  |         |
| 09-07-5112       | A-7675-C11AG |                  |         |                  |         |                  |         |
|                  | A-7675-C12AG |                  |         |                  |         |                  |         |
|                  | A-7675-C13AG |                  |         |                  |         |                  |         |
|                  | A-7675-C14AG |                  |         |                  |         |                  |         |
|                  | A-7675-C15AG |                  |         |                  |         |                  |         |
|                  | A-7675-C16AG |                  |         |                  |         |                  |         |
|                  | A-7675-C17AG |                  |         |                  |         |                  |         |
|                  | A-7675-C18AG |                  |         |                  |         |                  |         |
|                  | A-7675-C19AG |                  |         |                  |         |                  |         |
|                  | A-7675-C20AG |                  |         |                  |         |                  |         |
|                  | A-7675-C21AG |                  |         |                  |         |                  |         |
|                  | A-7675-C22AG |                  |         |                  |         |                  |         |
|                  | A-7675-C23AG |                  |         |                  |         |                  |         |
|                  | A-7675-C24AG |                  |         |                  |         |                  |         |

|  |   |   |  |
|--|---|---|--|
| REVISION:<br><b>AZ2</b>                  | ECR/ECN INFORMATION:<br>EC No.: <b>UCP2006-3024</b><br>DATE: <b>6/29/2006</b> | TITLE:<br><b>CONNECTOR ASSEMBLY<br/>KK (3.96)/.156 CENTER<br/>INSULATION DISPLACEMENT</b> | SHEET No.<br><b>6</b>                    |
| DOCUMENT NUMBER:<br><b>SDA-7675-****</b> | CREATED / REVISED BY:<br><b>ADERR 2006/06/16</b>                              | CHECKED BY:<br><b>LSCHMIDT 2006/06/19</b>   | APPROVED BY:<br><b>FSMITH 2006/06/20</b> |

| A-7675-AND       |              | A-7675-BND       |              | A-7675-CND       |              | A-7675-DND       |              |
|------------------|--------------|------------------|--------------|------------------|--------------|------------------|--------------|
| HOUSING          | 7674-AN      | HOUSING          | 7674-BN      | HOUSING          | 7674-CN      | HOUSING          | 7674-DN      |
| TERM. NO         | 40591-D(102) | TERM. NO         | 40591-D(102) | TERM. NO         | 40591-D(102) | TERM. NO         | 40591-D(102) |
| BACKWALL:        | NO           | BACKWALL:        | NO           | BACKWALL:        | YES          | BACKWALL:        | YES          |
| RAMP             | NO           | RAMP             | YES          | RAMP             | NO           | RAMP             | YES          |
| MOLD VOID IN CKT | NONE         | MOLD VOID IN CKT | NONE         | MOLD VOID IN CKT | NONE         | MOLD VOID IN CKT | NONE         |
| VOID TERM.IN CKT | NONE         | VOID TERM.IN CKT | NONE         | VOID TERM.IN CKT | NONE         | VOID TERM.IN CKT | NONE         |
| MATL NO          | ENG NO:      | MATL NO          | ENG NO:      | MATL NO          | ENG NO:      | MATL NO          | ENG NO:      |
| 09-07-3027       | A-7675-A02D  | 09-06-3027       | A-7675-B02D  | 09-07-3028       | A-7675-C02D  | 09-06-3028       | A-7675-D02D  |
| 09-07-3037       | A-7675-A03D  | 09-06-3037       | A-7675-B03D  | 09-07-3038       | A-7675-C03D  | 09-06-3038       | A-7675-D03D  |
| 09-07-3047       | A-7675-A04D  | 09-06-3047       | A-7675-B04D  | 09-07-3048       | A-7675-C04D  | 09-06-3048       | A-7675-D04D  |
| 09-07-3057       | A-7675-A05D  | 09-06-3057       | A-7675-B05D  | 09-07-3058       | A-7675-C05D  | 09-06-3058       | A-7675-D05D  |
| 09-07-3067       | A-7675-A06D  | 09-06-3067       | A-7675-B06D  | 09-07-3068       | A-7675-C06D  | 09-06-3068       | A-7675-D06D  |
| 09-07-3077       | A-7675-A07D  | 09-06-3077       | A-7675-B07D  | 09-07-3078       | A-7675-C07D  | 09-06-3078       | A-7675-D07D  |
| 09-07-3087       | A-7675-A08D  | 09-06-3087       | A-7675-B08D  | 09-07-3088       | A-7675-C08D  | 09-06-3088       | A-7675-D08D  |
| 09-07-3097       | A-7675-A09D  | 09-06-3097       | A-7675-B09D  | 09-07-3098       | A-7675-C09D  | 09-06-3098       | A-7675-D09D  |
| 09-07-3107       | A-7675-A10D  | 09-06-3107       | A-7675-B10D  | 09-07-3108       | A-7675-C10D  | 09-06-3108       | A-7675-D10D  |
| 09-07-3117       | A-7675-A11D  | 09-06-3117       | A-7675-B11D  | 09-07-3118       | A-7675-C11D  | 09-06-3118       | A-7675-D11D  |
| 09-07-3127       | A-7675-A12D  | 09-06-3127       | A-7675-B12D  | 09-07-3128       | A-7675-C12D  | 09-06-3128       | A-7675-D12D  |
| 09-07-3137       | A-7675-A13D  | 09-06-3137       | A-7675-B13D  | 09-07-3138       | A-7675-C13D  | 09-06-3138       | A-7675-D13D  |
| 09-07-3147       | A-7675-A14D  | 09-06-3147       | A-7675-B14D  | 09-07-3148       | A-7675-C14D  | 09-06-3148       | A-7675-D14D  |
| 09-07-3157       | A-7675-A15D  | 09-06-3157       | A-7675-B15D  | 09-07-3158       | A-7675-C15D  | 09-06-3158       | A-7675-D15D  |
| 09-07-3167       | A-7675-A16D  | 09-06-3167       | A-7675-B16D  | 09-07-3168       | A-7675-C16D  | 09-06-3168       | A-7675-D16D  |
| 09-07-3177       | A-7675-A17D  | 09-06-3177       | A-7675-B17D  | 09-07-3178       | A-7675-C17D  | 09-06-3178       | A-7675-D17D  |
| 09-07-3187       | A-7675-A18D  | 09-06-3187       | A-7675-B18D  | 09-07-3188       | A-7675-C18D  | 09-06-3188       | A-7675-D18D  |
| 09-07-3197       | A-7675-A19D  | 09-06-3197       | A-7675-B19D  | 09-07-3198       | A-7675-C19D  | 09-06-3198       | A-7675-D19D  |
| 09-07-3207       | A-7675-A20D  | 09-06-3207       | A-7675-B20D  | 09-07-3208       | A-7675-C20D  | 09-06-3208       | A-7675-D20D  |
| 09-07-3217       | A-7675-A21D  | 09-06-3217       | A-7675-B21D  | 09-07-3218       | A-7675-C21D  | 09-06-3218       | A-7675-D21D  |
| 09-07-3227       | A-7675-A22D  | 09-06-3227       | A-7675-B22D  | 09-07-3228       | A-7675-C22D  | 09-06-3228       | A-7675-D22D  |
| 09-07-3237       | A-7675-A23D  | 09-06-3237       | A-7675-B23D  | 09-07-3238       | A-7675-C23D  | 09-06-3238       | A-7675-D23D  |
| 09-07-3247       | A-7675-A24D  | 09-06-3247       | A-7675-B24D  | 09-07-3248       | A-7675-C24D  | 09-06-3248       | A-7675-D24D  |

|  |   |   |  |
|--|---|---|--|
| REVISION:<br><b>AZ2</b>                  | ECR/ECN INFORMATION:<br>EC No.: <b>UCP2006-3024</b><br>DATE: <b>6/29/2006</b> | TITLE:<br><b>CONNECTOR ASSEMBLY<br/>KK (3.96)/.156 CENTER<br/>INSULATION DISPLACEMENT</b> | SHEET No.<br><b>7</b>                    |
| DOCUMENT NUMBER:<br><b>SDA-7675-****</b> | CREATED / REVISED BY:<br><b>ADERR 2006/06/16</b>                              | CHECKED BY:<br><b>LSCHMIDT 2006/06/19</b>   | APPROVED BY:<br><b>FSMITH 2006/06/20</b> |

| A-7675-ANDA      |              | A-7675-BNDA      |              | A-7675-CNDA      |              | A-7675-DNDA      |              |
|------------------|--------------|------------------|--------------|------------------|--------------|------------------|--------------|
| HOUSING          | 7674-AN      | HOUSING          | 7674-BN      | HOUSING          | 7674-CN      | HOUSING          | 7674-DN      |
| TERM. NO         | 40591-D(502) | TERM. NO         | 40591-D(502) | TERM. NO         | 40591-D(502) | TERM. NO         | 40591-D(502) |
| BACKWALL:        | NO           | BACKWALL:        | NO           | BACKWALL:        | YES          | BACKWALL:        | YES          |
| RAMP             | NO           | RAMP             | YES          | RAMP             | NO           | RAMP             | YES          |
| MOLD VOID IN CKT | NONE         | MOLD VOID IN CKT | NONE         | MOLD VOID IN CKT | NONE         | MOLD VOID IN CKT | NONE         |
| VOID TERM.IN CKT | NONE         | VOID TERM.IN CKT | NONE         | VOID TERM.IN CKT | NONE         | VOID TERM.IN CKT | NONE         |
| MATL NO          | ENG NO:      | MATL NO          | ENG NO:      | MATL NO          | ENG NO:      | MATL NO          | ENG NO:      |
|                  | A-7675-A02DA |                  | A-7675-B02DA |                  | A-7675-C02DA |                  | A-7675-D02DA |
|                  | A-7675-A03DA |                  | A-7675-B03DA |                  | A-7675-C03DA |                  | A-7675-D03DA |
|                  | A-7675-A04DA |                  | A-7675-B04DA |                  | A-7675-C04DA |                  | A-7675-D04DA |
|                  | A-7675-A05DA |                  | A-7675-B05DA |                  | A-7675-C05DA |                  | A-7675-D05DA |
|                  | A-7675-A06DA |                  | A-7675-B06DA | 26-32-3068       | A-7675-C06DA |                  | A-7675-D06DA |
|                  | A-7675-A07DA |                  | A-7675-B07DA |                  | A-7675-C07DA |                  | A-7675-D07DA |
|                  | A-7675-A08DA |                  | A-7675-B08DA |                  | A-7675-C08DA | 26-32-3089       | A-7675-D08DA |
|                  | A-7675-A09DA |                  | A-7675-B09DA |                  | A-7675-C09DA |                  | A-7675-D09DA |
|                  | A-7675-A10DA |                  | A-7675-B10DA |                  | A-7675-C10DA |                  | A-7675-D10DA |
|                  | A-7675-A11DA |                  | A-7675-B11DA |                  | A-7675-C11DA |                  | A-7675-D11DA |
|                  | A-7675-A12DA |                  | A-7675-B12DA |                  | A-7675-C12DA |                  | A-7675-D12DA |
|                  | A-7675-A13DA |                  | A-7675-B13DA |                  | A-7675-C13DA |                  | A-7675-D13DA |
|                  | A-7675-A14DA |                  | A-7675-B14DA |                  | A-7675-C14DA |                  | A-7675-D14DA |
|                  | A-7675-A15DA |                  | A-7675-B15DA |                  | A-7675-C15DA |                  | A-7675-D15DA |
|                  | A-7675-A16DA |                  | A-7675-B16DA |                  | A-7675-C16DA |                  | A-7675-D16DA |
|                  | A-7675-A17DA |                  | A-7675-B17DA |                  | A-7675-C17DA |                  | A-7675-D17DA |
|                  | A-7675-A18DA |                  | A-7675-B18DA |                  | A-7675-C18DA |                  | A-7675-D18DA |
|                  | A-7675-A19DA |                  | A-7675-B19DA |                  | A-7675-C19DA |                  | A-7675-D19DA |
|                  | A-7675-A20DA |                  | A-7675-B20DA |                  | A-7675-C20DA |                  | A-7675-D20DA |
|                  | A-7675-A21DA |                  | A-7675-B21DA |                  | A-7675-C21DA |                  | A-7675-D21DA |
|                  | A-7675-A22DA |                  | A-7675-B22DA |                  | A-7675-C22DA |                  | A-7675-D22DA |
|                  | A-7675-A23DA |                  | A-7675-B23DA |                  | A-7675-C23DA |                  | A-7675-D23DA |
|                  | A-7675-A24DA |                  | A-7675-B24DA |                  | A-7675-C24DA |                  | A-7675-D24DA |

|  |   |   |  |
|--|---|---|--|
| REVISION:<br><b>AZ2</b>                  | ECR/ECN INFORMATION:<br>EC No.: <b>UCP2006-3024</b><br>DATE: <b>6/29/2006</b> | TITLE:<br><b>CONNECTOR ASSEMBLY<br/>KK (3.96)/.156 CENTER<br/>INSULATION DISPLACEMENT</b> | SHEET No.<br><b>8</b>                    |
| DOCUMENT NUMBER:<br><b>SDA-7675-****</b> | CREATED / REVISED BY:<br><b>ADERR 2006/06/16</b>                              | CHECKED BY:<br><b>LSCHMIDT 2006/06/19</b>   | APPROVED BY:<br><b>FSMITH 2006/06/20</b> |



REVISION:

**AZ2**

ECR/ECN INFORMATION:

EC No.:

SHEET No.

| A-7675-ANJA      |              | A-7675-BNJA      |              | A-7675-CNJA      |              | A-7675-DNJA      |              |
|------------------|--------------|------------------|--------------|------------------|--------------|------------------|--------------|
| HOUSING          | 7674-AN      | HOUSING          | 7674-BN      | HOUSING          | 7674-CN      | HOUSING          | 7674-DN      |
| TERM. NO         | 40591-J(502) | TERM. NO         | 40591-J(502) | TERM. NO         | 40591-J(502) | TERM. NO         | 40591-J(502) |
| BACKWALL:        | NO           | BACKWALL:        | NO           | BACKWALL:        | YES          | BACKWALL:        | YES          |
| RAMP             | NO           | RAMP             | YES          | RAMP             | NO           | RAMP             | YES          |
| MOLD VOID IN CKT | NONE         | MOLD VOID IN CKT | NONE         | MOLD VOID IN CKT | NONE         | MOLD VOID IN CKT | NONE         |
| VOID TERM.IN CKT | NONE         | VOID TERM.IN CKT | NONE         | VOID TERM.IN CKT | NONE         | VOID TERM.IN CKT | NONE         |
| MATL NO          | ENG NO:      | MATL NO          | ENG NO:      | MATL NO          | ENG NO:      | MATL NO          | ENG NO:      |
|                  | A-7675-A02JA |                  | A-7675-B02JA |                  | A-7675-C02JA | 26-31-5028       | A-7675-D02JA |
|                  | A-7675-A03JA |                  | A-7675-B03JA |                  | A-7675-C03JA | 26-31-5038       | A-7675-D03JA |
|                  | A-7675-A04JA |                  | A-7675-B04JA | 26-32-5048       | A-7675-C04JA | 26-31-5048       | A-7675-D04JA |
|                  | A-7675-A05JA |                  | A-7675-B05JA |                  | A-7675-C05JA | 26-31-5058       | A-7675-D05JA |
| 26-32-5067       | A-7675-A06JA |                  | A-7675-B06JA | 26-32-5068       | A-7675-C06JA | 26-31-5068       | A-7675-D06JA |
|                  | A-7675-A07JA |                  | A-7675-B07JA |                  | A-7675-C07JA |                  | A-7675-D07JA |
|                  | A-7675-A08JA | 21-62-2001       | A-7675-B08JA |                  | A-7675-C08JA | 26-31-5088       | A-7675-D08JA |
|                  | A-7675-A09JA |                  | A-7675-B09JA |                  | A-7675-C09JA |                  | A-7675-D09JA |
|                  | A-7675-A10JA |                  | A-7675-B10JA |                  | A-7675-C10JA | 26-31-5108       | A-7675-D10JA |
|                  | A-7675-A11JA |                  | A-7675-B11JA |                  | A-7675-C11JA |                  | A-7675-D11JA |
|                  | A-7675-A12JA | 26-32-5129       | A-7675-B12JA |                  | A-7675-C12JA |                  | A-7675-D12JA |
|                  | A-7675-A13JA |                  | A-7675-B13JA |                  | A-7675-C13JA |                  | A-7675-D13JA |
|                  | A-7675-A14JA |                  | A-7675-B14JA |                  | A-7675-C14JA |                  | A-7675-D14JA |
|                  | A-7675-A15JA |                  | A-7675-B15JA |                  | A-7675-C15JA | 26-31-5158       | A-7675-D15JA |
|                  | A-7675-A16JA |                  | A-7675-B16JA |                  | A-7675-C16JA |                  | A-7675-D16JA |
|                  | A-7675-A17JA |                  | A-7675-B17JA |                  | A-7675-C17JA |                  | A-7675-D17JA |
|                  | A-7675-A18JA |                  | A-7675-B18JA |                  | A-7675-C18JA |                  | A-7675-D18JA |
|                  | A-7675-A19JA |                  | A-7675-B19JA |                  | A-7675-C19JA |                  | A-7675-D19JA |
|                  | A-7675-A20JA |                  | A-7675-B20JA |                  | A-7675-C20JA |                  | A-7675-D20JA |
|                  | A-7675-A21JA |                  | A-7675-B21JA |                  | A-7675-C21JA |                  | A-7675-D21JA |
|                  | A-7675-A22JA |                  | A-7675-B22JA |                  | A-7675-C22JA |                  | A-7675-D22JA |
|                  | A-7675-A23JA |                  | A-7675-B23JA |                  | A-7675-C23JA |                  | A-7675-D23JA |
|                  | A-7675-A24JA |                  | A-7675-B24JA |                  | A-7675-C24JA |                  | A-7675-D24JA |

|  |   |   |  |
|--|---|---|--|
| REVISION:<br><b>AZ2</b>                  | ECR/ECN INFORMATION:<br>EC No.: UCP2006-3024<br>DATE: 6/29/2006 | TITLE:<br><b>CONNECTOR ASSEMBLY<br/>KK (3.96)/.156 CENTER<br/>INSULATION DISPLACEMENT</b> | SHEET No.<br><b>10</b>                   |
| DOCUMENT NUMBER:<br><b>SDA-7675-****</b> | CREATED / REVISED BY:<br><b>ADERR 2006/06/16</b>                | CHECKED BY:<br><b>LSCHMIDT 2006/06/19</b>   | APPROVED BY:<br><b>FSMITH 2006/06/20</b> |

| A-7675-ANJE      |              | A-7675-BNJE      |              | A-7675-CNJE      |              | A-7675-DNJE      |              |
|------------------|--------------|------------------|--------------|------------------|--------------|------------------|--------------|
| HOUSING          | 7674-AN      | HOUSING          | 7674-BN      | HOUSING          | 7674-CN      | HOUSING          | 7674-DN      |
| TERM. NO         | 40591-J(565) | TERM. NO         | 40591-J(565) | TERM. NO         | 40591-J(565) | TERM. NO         | 40591-J(565) |
| BACKWALL:        | NO           | BACKWALL:        | NO           | BACKWALL:        | YES          | BACKWALL:        | YES          |
| RAMP             | NO           | RAMP             | YES          | RAMP             | NO           | RAMP             | YES          |
| MOLD VOID IN CKT | NONE         | MOLD VOID IN CKT | NONE         | MOLD VOID IN CKT | NONE         | MOLD VOID IN CKT | NONE         |
| VOID TERM.IN CKT | NONE         | VOID TERM.IN CKT | NONE         | VOID TERM.IN CKT | NONE         | VOID TERM.IN CKT | NONE         |
| MATL NO          | ENG NO:      | MATL NO          | ENG NO:      | MATL NO          | ENG NO:      | MATL NO          | ENG NO:      |
|                  | A-7675-A02JE |                  | A-7675-B02JE |                  | A-7675-C02JE |                  | A-7675-D02JE |
|                  | A-7675-A03JE |                  | A-7675-B03JE |                  | A-7675-C03JE |                  | A-7675-D03JE |
|                  | A-7675-A04JE |                  | A-7675-B04JE |                  | A-7675-C04JE |                  | A-7675-D04JE |
|                  | A-7675-A05JE |                  | A-7675-B05JE |                  | A-7675-C05JE |                  | A-7675-D05JE |
| 26-38-5067       | A-7675-A06JE |                  | A-7675-B06JE | 26-38-5068       | A-7675-C06JE |                  | A-7675-D06JE |
|                  | A-7675-A07JE |                  | A-7675-B07JE |                  | A-7675-C07JE |                  | A-7675-D07JE |
|                  | A-7675-A08JE |                  | A-7675-B08JE |                  | A-7675-C08JE |                  | A-7675-D08JE |
|                  | A-7675-A09JE |                  | A-7675-B09JE |                  | A-7675-C09JE |                  | A-7675-D09JE |
|                  | A-7675-A10JE |                  | A-7675-B10JE |                  | A-7675-C10JE |                  | A-7675-D10JE |
|                  | A-7675-A11JE |                  | A-7675-B11JE |                  | A-7675-C11JE |                  | A-7675-D11JE |
|                  | A-7675-A12JE |                  | A-7675-B12JE |                  | A-7675-C12JE |                  | A-7675-D12JE |
|                  | A-7675-A13JE |                  | A-7675-B13JE |                  | A-7675-C13JE |                  | A-7675-D13JE |
| 09-10-5149       | A-7675-A14JE |                  | A-7675-B14JE |                  | A-7675-C14JE |                  | A-7675-D14JE |
|                  | A-7675-A15JE |                  | A-7675-B15JE |                  | A-7675-C15JE |                  | A-7675-D15JE |
|                  | A-7675-A16JE |                  | A-7675-B16JE |                  | A-7675-C16JE |                  | A-7675-D16JE |
|                  | A-7675-A17JE |                  | A-7675-B17JE |                  | A-7675-C17JE |                  | A-7675-D17JE |
|                  | A-7675-A18JE |                  | A-7675-B18JE |                  | A-7675-C18JE |                  | A-7675-D18JE |
|                  |              |                  |              |                  |              |                  |              |
|                  |              |                  |              |                  |              |                  |              |
|                  |              |                  |              |                  |              |                  |              |
|                  |              |                  |              |                  |              |                  |              |
|                  |              |                  |              |                  |              |                  |              |
|                  |              |                  |              |                  |              |                  |              |

|  |   |   |  |
|--|---|---|--|
| REVISION:<br><b>AZ2</b>                  | ECR/ECN INFORMATION:<br>EC No.: UCP2006-3024<br>DATE: 6/29/2006 | TITLE:<br><b>CONNECTOR ASSEMBLY<br/>KK (3.96)/.156 CENTER<br/>INSULATION DISPLACEMENT</b> | SHEET No.<br><b>11</b>                   |
| DOCUMENT NUMBER:<br><b>SDA-7675-****</b> | CREATED / REVISED BY:<br><b>ADERR 2006/06/16</b>                | CHECKED BY:<br><b>LSCHMIDT 2006/06/19</b>   | APPROVED BY:<br><b>FSMITH 2006/06/20</b> |

| A-7675-ANJH      |              | A-7675-BNJH      |              | A-7675-CNJH      |              | A-7675-DNJH      |              |
|------------------|--------------|------------------|--------------|------------------|--------------|------------------|--------------|
| HOUSING          | 7674-AN      | HOUSING          | 7674-BN      | HOUSING          | 7674-CN      | HOUSING          | 7674-DN      |
| TERM. NO         | 40591-J(555) | TERM. NO         | 40591-J(555) | TERM. NO         | 40591-J(555) | TERM. NO         | 40591-J(555) |
| BACKWALL:        | NO           | BACKWALL:        | NO           | BACKWALL:        | YES          | BACKWALL:        | YES          |
| RAMP             | NO           | RAMP             | YES          | RAMP             | NO           | RAMP             | YES          |
| MOLD VOID IN CKT | NONE         | MOLD VOID IN CKT | NONE         | MOLD VOID IN CKT | NONE         | MOLD VOID IN CKT | NONE         |
| VOID TERM.IN CKT | NONE         | VOID TERM.IN CKT | NONE         | VOID TERM.IN CKT | NONE         | VOID TERM.IN CKT | NONE         |
| MATL NO          | ENG NO:      | MATL NO          | ENG NO:      | MATL NO          | ENG NO:      | MATL NO          | ENG NO:      |
|                  | A-7675-A02JH |                  | A-7675-B02JH |                  | A-7675-C02JH | 26-32-9025       | A-7675-D02JH |
|                  | A-7675-A03JH |                  | A-7675-B03JH |                  | A-7675-C03JH |                  | A-7675-D03JH |
|                  | A-7675-A04JH |                  | A-7675-B04JH |                  | A-7675-C04JH |                  | A-7675-D04JH |
|                  | A-7675-A05JH |                  | A-7675-B05JH |                  | A-7675-C05JH |                  | A-7675-D05JH |
|                  | A-7675-A06JH |                  | A-7675-B06JH |                  | A-7675-C06JH |                  | A-7675-D06JH |
|                  | A-7675-A07JH |                  | A-7675-B07JH |                  | A-7675-C07JH |                  | A-7675-D07JH |
|                  | A-7675-A08JH |                  | A-7675-B08JH |                  | A-7675-C08JH | 26-32-9085       | A-7675-D08JH |
|                  | A-7675-A09JH |                  | A-7675-B09JH |                  | A-7675-C09JH |                  | A-7675-D09JH |
|                  | A-7675-A10JH |                  | A-7675-B10JH |                  | A-7675-C10JH |                  | A-7675-D10JH |
|                  | A-7675-A11JH |                  | A-7675-B11JH |                  | A-7675-C11JH |                  | A-7675-D11JH |
|                  | A-7675-A12JH |                  | A-7675-B12JH |                  | A-7675-C12JH |                  | A-7675-D12JH |
|                  | A-7675-A13JH |                  | A-7675-B13JH |                  | A-7675-C13JH |                  | A-7675-D13JH |
|                  | A-7675-A14JH |                  | A-7675-B14JH |                  | A-7675-C14JH |                  | A-7675-D14JH |
|                  | A-7675-A15JH |                  | A-7675-B15JH |                  | A-7675-C15JH | 26-32-9155       | A-7675-D15JH |
|                  | A-7675-A16JH |                  | A-7675-B16JH |                  | A-7675-C16JH |                  | A-7675-D16JH |
|                  | A-7675-A17JH |                  | A-7675-B17JH |                  | A-7675-C17JH |                  | A-7675-D17JH |
|                  | A-7675-A18JH |                  | A-7675-B18JH |                  | A-7675-C18JH |                  | A-7675-D18JH |
|                  | A-7675-A19JH |                  | A-7675-B19JH |                  | A-7675-C19JH |                  | A-7675-D19JH |
|                  | A-7675-A20JH |                  | A-7675-B20JH |                  | A-7675-C20JH |                  | A-7675-D20JH |
|                  | A-7675-A21JH |                  | A-7675-B21JH |                  | A-7675-C21JH |                  | A-7675-D21JH |
|                  | A-7675-A22JH |                  | A-7675-B22JH |                  | A-7675-C22JH |                  | A-7675-D22JH |
|                  | A-7675-A23JH |                  | A-7675-B23JH |                  | A-7675-C23JH |                  | A-7675-D23JH |
|                  | A-7675-A24JH |                  | A-7675-B24JH |                  | A-7675-C24JH |                  | A-7675-D24JH |

|  |   |   |  |
|--|---|---|--|
| REVISION:<br><b>AZ2</b>                  | ECR/ECN INFORMATION:<br>EC No.: UCP2006-3024<br>DATE: 6/29/2006 | TITLE:<br><b>CONNECTOR ASSEMBLY<br/>KK (3.96)/.156 CENTER<br/>INSULATION DISPLACEMENT</b> | SHEET No.<br><b>12</b>                   |
| DOCUMENT NUMBER:<br><b>SDA-7675-****</b> | CREATED / REVISED BY:<br><b>ADERR 2006/06/16</b>                | CHECKED BY:<br><b>LSCHMIDT 2006/06/19</b>   | APPROVED BY:<br><b>FSMITH 2006/06/20</b> |

A-7675-ANJC

A-7675-CNAJ

|   |  |  |   |
|---|--|--|---|
| REVISION:<br><b>AZ2</b>                         | <u>ECR/ECN INFORMATION:</u><br>EC No.: <b>UCP2006-3024</b><br>DATE: <b>6/29/2006</b> | <u>TITLE:</u><br><b>CONNECTOR ASSEMBLY<br/>KK (3.96)/.156 CENTER<br/>INSULATION DISPLACEMENT</b> | SHEET No.<br><b>13</b>                          |
| <u>DOCUMENT NUMBER:</u><br><b>SDA-7675-****</b> | <u>CREATED / REVISED BY:</u><br><b>ADERR 2006/06/16</b>                              | <u>CHECKED BY:</u><br><b>LSCHMIDT 2006/06/19</b>   | <u>APPROVED BY:</u><br><b>FSMITH 2006/06/20</b> |

| A-7675-ANL       |              | A-7675-BNL       |              | A-7675-CNL       |              | A-7675-DNL       |              |
|------------------|--------------|------------------|--------------|------------------|--------------|------------------|--------------|
| HOUSING          | 7674-AN      | HOUSING          | 7674-BN      | HOUSING          | 7674-CN      | HOUSING          | 7674-DN      |
| TERM. NO         | 40591-L(102) | TERM. NO         | 40591-L(102) | TERM. NO         | 40591-L(102) | TERM. NO         | 40591-L(102) |
| BACKWALL:        | NO           | BACKWALL:        | NO           | BACKWALL:        | YES          | BACKWALL:        | YES          |
| RAMP             | NO           | RAMP             | YES          | RAMP             | NO           | RAMP             | YES          |
| MOLD VOID IN CKT | NONE         | MOLD VOID IN CKT | NONE         | MOLD VOID IN CKT | NONE         | MOLD VOID IN CKT | NONE         |
| VOID TERM.IN CKT | NONE         | VOID TERM.IN CKT | NONE         | VOID TERM.IN CKT | NONE         | VOID TERM.IN CKT | NONE         |
| MATL NO          | ENG NO:      | MATL NO          | ENG NO:      | MATL NO          | ENG NO:      | MATL NO          | ENG NO:      |
| 09-07-2027       | A-7675-A02L  | 09-06-2027       | A-7675-B02L  | 09-07-2028       | A-7675-C02L  | 09-06-2028       | A-7675-D02L  |
| 09-07-2037       | A-7675-A03L  | 09-06-2037       | A-7675-B03L  | 09-07-2038       | A-7675-C03L  | 09-06-2038       | A-7675-D03L  |
| 09-07-2047       | A-7675-A04L  | 09-06-2047       | A-7675-B04L  | 09-07-2048       | A-7675-C04L  | 09-06-2048       | A-7675-D04L  |
| 09-07-2057       | A-7675-A05L  | 09-06-2057       | A-7675-B05L  | 09-07-2058       | A-7675-C05L  | 09-06-2058       | A-7675-D05L  |
| 09-07-2067       | A-7675-A06L  | 09-06-2067       | A-7675-B06L  | 09-07-2068       | A-7675-C06L  | 09-06-2068       | A-7675-D06L  |
| 09-07-2077       | A-7675-A07L  | 09-06-2077       | A-7675-B07L  | 09-07-2078       | A-7675-C07L  | 09-06-2078       | A-7675-D07L  |
| 09-07-2087       | A-7675-A08L  | 09-06-2087       | A-7675-B08L  | 09-07-2088       | A-7675-C08L  | 09-06-2088       | A-7675-D08L  |
| 09-07-2097       | A-7675-A09L  | 09-06-2097       | A-7675-B09L  | 09-07-2098       | A-7675-C09L  | 09-06-2098       | A-7675-D09L  |
| 09-07-2107       | A-7675-A10L  | 09-06-2107       | A-7675-B10L  | 09-07-2108       | A-7675-C10L  | 09-06-2108       | A-7675-D10L  |
| 09-07-2117       | A-7675-A11L  | 09-06-2117       | A-7675-B11L  | 09-07-2118       | A-7675-C11L  | 09-06-2118       | A-7675-D11L  |
| 09-07-2127       | A-7675-A12L  | 09-06-2127       | A-7675-B12L  | 09-07-2128       | A-7675-C12L  | 09-06-2128       | A-7675-D12L  |
| 09-07-2137       | A-7675-A13L  | 09-06-2137       | A-7675-B13L  | 09-07-2138       | A-7675-C13L  | 09-06-2138       | A-7675-D13L  |
| 09-07-2147       | A-7675-A14L  | 09-06-2147       | A-7675-B14L  | 09-07-2148       | A-7675-C14L  | 09-06-2148       | A-7675-D14L  |
| 09-07-2157       | A-7675-A15L  | 09-06-2157       | A-7675-B15L  | 09-07-2158       | A-7675-C15L  | 09-06-2158       | A-7675-D15L  |
| 09-07-2167       | A-7675-A16L  | 09-06-2167       | A-7675-B16L  | 09-07-2168       | A-7675-C16L  | 09-06-2168       | A-7675-D16L  |
| 09-07-2177       | A-7675-A17L  | 09-06-2177       | A-7675-B17L  | 09-07-2178       | A-7675-C17L  | 09-06-2178       | A-7675-D17L  |
| 09-07-2187       | A-7675-A18L  | 09-06-2187       | A-7675-B18L  | 09-07-2188       | A-7675-C18L  | 09-06-2188       | A-7675-D18L  |
| 09-07-2197       | A-7675-A19L  | 09-06-2197       | A-7675-B19L  | 09-07-2198       | A-7675-C19L  | 09-06-2198       | A-7675-D19L  |
| 09-07-2207       | A-7675-A20L  | 09-06-2207       | A-7675-B20L  | 09-07-2208       | A-7675-C20L  | 09-06-2208       | A-7675-D20L  |
| 09-07-2217       | A-7675-A21L  | 09-06-2217       | A-7675-B21L  | 09-07-2218       | A-7675-C21L  | 09-06-2218       | A-7675-D21L  |
| 09-07-2227       | A-7675-A22L  | 09-06-2227       | A-7675-B22L  | 09-07-2228       | A-7675-C22L  | 09-06-2228       | A-7675-D22L  |
| 09-07-2237       | A-7675-A23L  | 09-06-2237       | A-7675-B23L  | 09-07-2238       | A-7675-C23L  | 09-06-2238       | A-7675-D23L  |
| 09-07-2247       | A-7675-A24L  | 09-06-2247       | A-7675-B24L  | 09-07-2248       | A-7675-C24L  | 09-06-2248       | A-7675-D24L  |

|  |   |   |  |
|--|---|---|--|
| REVISION:<br><b>AZ2</b>                  | ECR/ECN INFORMATION:<br>EC No.: <b>UCP2006-3024</b><br>DATE: <b>6/29/2006</b> | TITLE:<br><b>CONNECTOR ASSEMBLY<br/>KK (3.96)/.156 CENTER<br/>INSULATION DISPLACEMENT</b> | SHEET No.<br><b>14</b>                   |
| DOCUMENT NUMBER:<br><b>SDA-7675-****</b> | CREATED / REVISED BY:<br><b>ADERR 2006/06/16</b>                              | CHECKED BY:<br><b>LSCHMIDT 2006/06/19</b>   | APPROVED BY:<br><b>FSMITH 2006/06/20</b> |

| A-7675-ANLA      |              | A-7675-BNLA      |              | A-7675-CNLA      |              | A-7675-DNLA      |              |
|------------------|--------------|------------------|--------------|------------------|--------------|------------------|--------------|
| HOUSING          | 7674-AN      | HOUSING          | 7674-BN      | HOUSING          | 7674-CN      | HOUSING          | 7674-DN      |
| TERM. NO         | 40591-L(502) | TERM. NO         | 40591-L(502) | TERM. NO         | 40591-L(502) | TERM. NO         | 40591-L(502) |
| BACKWALL:        | NO           | BACKWALL:        | NO           | BACKWALL:        | YES          | BACKWALL:        | YES          |
| RAMP             | NO           | RAMP             | YES          | RAMP             | NO           | RAMP             | YES          |
| MOLD VOID IN CKT | NONE         | MOLD VOID IN CKT | NONE         | MOLD VOID IN CKT | NONE         | MOLD VOID IN CKT | NONE         |
| VOID TERM.IN CKT | NONE         | VOID TERM.IN CKT | NONE         | VOID TERM.IN CKT | NONE         | VOID TERM.IN CKT | NONE         |
| MATL NO          | ENG NO:      | MATL NO          | ENG NO:      | MATL NO          | ENG NO:      | MATL NO          | ENG NO:      |
|                  | A-7675-A02LA |                  | A-7675-B02LA |                  | A-7675-C02LA | 26-31-2028       | A-7675-D02LA |
|                  | A-7675-A03LA |                  | A-7675-B03LA |                  | A-7675-C03LA |                  | A-7675-D03LA |
|                  | A-7675-A04LA |                  | A-7675-B04LA |                  | A-7675-C04LA |                  | A-7675-D04LA |
|                  | A-7675-A05LA |                  | A-7675-B05LA |                  | A-7675-C05LA |                  | A-7675-D05LA |
|                  | A-7675-A06LA |                  | A-7675-B06LA |                  | A-7675-C06LA |                  | A-7675-D06LA |
|                  | A-7675-A07LA |                  | A-7675-B07LA |                  | A-7675-C07LA |                  | A-7675-D07LA |
|                  | A-7675-A08LA |                  | A-7675-B08LA |                  | A-7675-C08LA |                  | A-7675-D08LA |
|                  | A-7675-A09LA |                  | A-7675-B09LA |                  | A-7675-C09LA |                  | A-7675-D09LA |
|                  | A-7675-A10LA |                  | A-7675-B10LA |                  | A-7675-C10LA |                  | A-7675-D10LA |
|                  | A-7675-A11LA |                  | A-7675-B11LA |                  | A-7675-C11LA |                  | A-7675-D11LA |
|                  | A-7675-A12LA |                  | A-7675-B12LA |                  | A-7675-C12LA |                  | A-7675-D12LA |
|                  | A-7675-A13LA |                  | A-7675-B13LA |                  | A-7675-C13LA |                  | A-7675-D13LA |
|                  | A-7675-A14LA |                  | A-7675-B14LA |                  | A-7675-C14LA | 26-31-2148       | A-7675-D14LA |
|                  | A-7675-A15LA |                  | A-7675-B15LA |                  | A-7675-C15LA |                  | A-7675-D15LA |
|                  | A-7675-A16LA |                  | A-7675-B16LA |                  | A-7675-C16LA |                  | A-7675-D16LA |
|                  | A-7675-A17LA |                  | A-7675-B17LA |                  | A-7675-C17LA |                  | A-7675-D17LA |
|                  | A-7675-A18LA |                  | A-7675-B18LA |                  | A-7675-C18LA |                  | A-7675-D18LA |
|                  | A-7675-A19LA |                  | A-7675-B19LA |                  | A-7675-C19LA |                  | A-7675-D19LA |
|                  | A-7675-A20LA | 26-31-2207       | A-7675-B20LA |                  | A-7675-C20LA |                  | A-7675-D20LA |
|                  | A-7675-A21LA |                  | A-7675-B21LA |                  | A-7675-C21LA |                  | A-7675-D21LA |
|                  | A-7675-A22LA |                  | A-7675-B22LA |                  | A-7675-C22LA |                  | A-7675-D22LA |
|                  | A-7675-A23LA |                  | A-7675-B23LA |                  | A-7675-C23LA |                  | A-7675-D23LA |
|                  | A-7675-A24LA |                  | A-7675-B24LA |                  | A-7675-C24LA |                  | A-7675-D24LA |

|  |   |   |  |
|--|---|---|--|
| REVISION:<br><b>AZ2</b>                  | ECR/ECN INFORMATION:<br>EC No.: <b>UCP2006-3024</b><br>DATE: <b>6/29/2006</b> | TITLE:<br><b>CONNECTOR ASSEMBLY<br/>KK (3.96)/.156 CENTER<br/>INSULATION DISPLACEMENT</b> | SHEET No.<br><b>15</b>                   |
| DOCUMENT NUMBER:<br><b>SDA-7675-****</b> | CREATED / REVISED BY:<br><b>ADERR 2006/06/16</b>                              | CHECKED BY:<br><b>LSCHMIDT 2006/06/19</b>   | APPROVED BY:<br><b>FSMITH 2006/06/20</b> |

| A-7675-ANLD      |              | A-7675-BNLD      |              | A-7675-CNLD      |              | A-7675-DNLD      |              |
|------------------|--------------|------------------|--------------|------------------|--------------|------------------|--------------|
| HOUSING          | 7674-AN      | HOUSING          | 7674-BN      | HOUSING          | 7674-CN      | HOUSING          | 7674-DN      |
| TERM. NO         | 40591-L(503) | TERM. NO         | 40591-L(503) | TERM. NO         | 40591-L(503) | TERM. NO         | 40591-L(503) |
| BACKWALL:        | NO           | BACKWALL:        | NO           | BACKWALL:        | YES          | BACKWALL:        | YES          |
| RAMP             | NO           | RAMP             | YES          | RAMP             | NO           | RAMP             | YES          |
| MOLD VOID IN CKT | NONE         | MOLD VOID IN CKT | NONE         | MOLD VOID IN CKT | NONE         | MOLD VOID IN CKT | NONE         |
| VOID TERM.IN CKT | NONE         | VOID TERM.IN CKT | NONE         | VOID TERM.IN CKT | NONE         | VOID TERM.IN CKT | NONE         |
| MATL NO          | ENG NO:      | MATL NO          | ENG NO:      | MATL NO          | ENG NO:      | MATL NO          | ENG NO:      |
|                  | A-7675-A02LD |                  | A-7675-B02LD |                  | A-7675-C02LD |                  | A-7675-D02LD |
|                  | A-7675-A03LD |                  | A-7675-B03LD |                  | A-7675-C03LD |                  | A-7675-D03LD |
|                  | A-7675-A04LD |                  | A-7675-B04LD |                  | A-7675-C04LD |                  | A-7675-D04LD |
|                  | A-7675-A05LD |                  | A-7675-B05LD |                  | A-7675-C05LD | 09-06-7055       | A-7675-D05LD |
|                  | A-7675-A06LD |                  | A-7675-B06LD |                  | A-7675-C06LD |                  | A-7675-D06LD |
|                  | A-7675-A07LD |                  | A-7675-B07LD |                  | A-7675-C07LD |                  | A-7675-D07LD |
|                  | A-7675-A08LD |                  | A-7675-B08LD |                  | A-7675-C08LD |                  | A-7675-D08LD |
|                  | A-7675-A09LD |                  | A-7675-B09LD |                  | A-7675-C09LD |                  | A-7675-D09LD |
|                  | A-7675-A10LD |                  | A-7675-B10LD |                  | A-7675-C10LD |                  | A-7675-D10LD |
|                  | A-7675-A11LD |                  | A-7675-B11LD |                  | A-7675-C11LD |                  | A-7675-D11LD |
|                  | A-7675-A12LD |                  | A-7675-B12LD |                  | A-7675-C12LD |                  | A-7675-D12LD |
|                  | A-7675-A13LD |                  | A-7675-B13LD |                  | A-7675-C13LD |                  | A-7675-D13LD |
|                  | A-7675-A14LD |                  | A-7675-B14LD |                  | A-7675-C14LD |                  | A-7675-D14LD |
|                  | A-7675-A15LD |                  | A-7675-B15LD |                  | A-7675-C15LD |                  | A-7675-D15LD |
|                  | A-7675-A16LD |                  | A-7675-B16LD |                  | A-7675-C16LD |                  | A-7675-D16LD |
|                  | A-7675-A17LD |                  | A-7675-B17LD |                  | A-7675-C17LD |                  | A-7675-D17LD |
|                  | A-7675-A18LD |                  | A-7675-B18LD |                  | A-7675-C18LD |                  | A-7675-D18LD |
|                  | A-7675-A19LD |                  | A-7675-B19LD |                  | A-7675-C19LD |                  | A-7675-D19LD |
|                  | A-7675-A20LD |                  | A-7675-B20LD |                  | A-7675-C20LD |                  | A-7675-D20LD |
|                  | A-7675-A21LD |                  | A-7675-B21LD |                  | A-7675-C21LD |                  | A-7675-D21LD |
|                  | A-7675-A22LD |                  | A-7675-B22LD |                  | A-7675-C22LD |                  | A-7675-D22LD |
|                  | A-7675-A23LD |                  | A-7675-B23LD |                  | A-7675-C23LD |                  | A-7675-D23LD |
|                  | A-7675-A24LD |                  | A-7675-B24LD |                  | A-7675-C24LD | 09-06-7245       | A-7675-D24LD |

|  |   |   |  |
|--|---|---|--|
| REVISION:<br><b>AZ2</b>                  | ECR/ECN INFORMATION:<br>EC No.: <b>UCP2006-3024</b><br>DATE: <b>6/29/2006</b> | TITLE:<br><b>CONNECTOR ASSEMBLY<br/>KK (3.96)/.156 CENTER<br/>INSULATION DISPLACEMENT</b> | SHEET No.<br><b>16</b>                   |
| DOCUMENT NUMBER:<br><b>SDA-7675-****</b> | CREATED / REVISED BY:<br><b>ADERR 2006/06/16</b>                              | CHECKED BY:<br><b>LSCHMIDT 2006/06/19</b>   | APPROVED BY:<br><b>FSMITH 2006/06/20</b> |



| A-7675-ANM       |              | A-7675-BNM       |              | A-7675-CNM       |              | A-7675-DNM       |              |
|------------------|--------------|------------------|--------------|------------------|--------------|------------------|--------------|
| HOUSING          | 7674-AN      | HOUSING          | 7674-BN      | HOUSING          | 7674-CN      | HOUSING          | 7674-DN      |
| TERM. NO         | 40591-M(102) | TERM. NO         | 40591-M(102) | TERM. NO         | 40591-M(102) | TERM. NO         | 40591-M(102) |
| BACKWALL:        | NO           | BACKWALL:        | NO           | BACKWALL:        | YES          | BACKWALL:        | YES          |
| RAMP             | NO           | RAMP             | YES          | RAMP             | NO           | RAMP             | YES          |
| MOLD VOID IN CKT | NONE         | MOLD VOID IN CKT | NONE         | MOLD VOID IN CKT | NONE         | MOLD VOID IN CKT | NONE         |
| VOID TERM.IN CKT | NONE         | VOID TERM.IN CKT | NONE         | VOID TERM.IN CKT | NONE         | VOID TERM.IN CKT | NONE         |
| MATL NO          | ENG NO:      | MATL NO          | ENG NO:      | MATL NO          | ENG NO:      | MATL NO          | ENG NO:      |
| 09-07-1027       | A-7675-A02M  | 09-06-1027       | A-7675-B02M  | 09-07-1028       | A-7675-C02M  | 09-06-1028       | A-7675-D02M  |
| 09-07-1037       | A-7675-A03M  | 09-06-1037       | A-7675-B03M  | 09-07-1038       | A-7675-C03M  | 09-06-1038       | A-7675-D03M  |
| 09-07-1047       | A-7675-A04M  | 09-06-1047       | A-7675-B04M  | 09-07-1048       | A-7675-C04M  | 09-06-1048       | A-7675-D04M  |
| 09-07-1057       | A-7675-A05M  | 09-06-1057       | A-7675-B05M  | 09-07-1058       | A-7675-C05M  | 09-06-1058       | A-7675-D05M  |
| 09-07-1067       | A-7675-A06M  | 09-06-1067       | A-7675-B06M  | 09-07-1068       | A-7675-C06M  | 09-06-1068       | A-7675-D06M  |
| 09-07-1077       | A-7675-A07M  | 09-06-1077       | A-7675-B07M  | 09-07-1078       | A-7675-C07M  | 09-06-1078       | A-7675-D07M  |
| 09-07-1087       | A-7675-A08M  | 09-06-1087       | A-7675-B08M  | 09-07-1088       | A-7675-C08M  | 09-06-1088       | A-7675-D08M  |
| 09-07-1097       | A-7675-A09M  | 09-06-1097       | A-7675-B09M  | 09-07-1098       | A-7675-C09M  | 09-06-1098       | A-7675-D09M  |
| 09-07-1107       | A-7675-A10M  | 09-06-1107       | A-7675-B10M  | 09-07-1108       | A-7675-C10M  | 09-06-1108       | A-7675-D10M  |
| 09-07-1117       | A-7675-A11M  | 09-06-1117       | A-7675-B11M  | 09-07-1118       | A-7675-C11M  | 09-06-1118       | A-7675-D11M  |
| 09-07-1127       | A-7675-A12M  | 09-06-1127       | A-7675-B12M  | 09-07-1128       | A-7675-C12M  | 09-06-1128       | A-7675-D12M  |
| 09-07-1137       | A-7675-A13M  | 09-06-1137       | A-7675-B13M  | 09-07-1138       | A-7675-C13M  | 09-06-1138       | A-7675-D13M  |
| 09-07-1147       | A-7675-A14M  | 09-06-1147       | A-7675-B14M  | 09-07-1148       | A-7675-C14M  | 09-06-1148       | A-7675-D14M  |
| 09-07-1157       | A-7675-A15M  | 09-06-1157       | A-7675-B15M  | 09-07-1158       | A-7675-C15M  | 09-06-1158       | A-7675-D15M  |
| 09-07-1167       | A-7675-A16M  | 09-06-1167       | A-7675-B16M  | 09-07-1168       | A-7675-C16M  | 09-06-1168       | A-7675-D16M  |
| 09-07-1177       | A-7675-A17M  | 09-06-1177       | A-7675-B17M  | 09-07-1178       | A-7675-C17M  | 09-06-1178       | A-7675-D17M  |
| 09-07-1187       | A-7675-A18M  | 09-06-1187       | A-7675-B18M  | 09-07-1188       | A-7675-C18M  | 09-06-1188       | A-7675-D18M  |
| 09-07-1197       | A-7675-A19M  | 09-06-1197       | A-7675-B19M  | 09-07-1198       | A-7675-C19M  | 09-06-1198       | A-7675-D19M  |
| 09-07-1207       | A-7675-A20M  | 09-06-1207       | A-7675-B20M  | 09-07-1208       | A-7675-C20M  | 09-06-1208       | A-7675-D20M  |
| 09-07-1217       | A-7675-A21M  | 09-06-1217       | A-7675-B21M  | 09-07-1218       | A-7675-C21M  | 09-06-1218       | A-7675-D21M  |
| 09-07-1227       | A-7675-A22M  | 09-06-1227       | A-7675-B22M  | 09-07-1228       | A-7675-C22M  | 09-06-1228       | A-7675-D22M  |
| 09-07-1237       | A-7675-A23M  | 09-06-1237       | A-7675-B23M  | 09-07-1238       | A-7675-C23M  | 09-06-1238       | A-7675-D23M  |
| 09-07-1247       | A-7675-A24M  | 09-06-1247       | A-7675-B24M  | 09-07-1248       | A-7675-C24M  | 09-06-1248       | A-7675-D24M  |

|  |   |   |  |
|--|---|---|--|
| REVISION:<br><b>AZ2</b>                  | ECR/ECN INFORMATION:<br>EC No.: <b>UCP2006-3024</b><br>DATE: <b>6/29/2006</b> | TITLE:<br><b>CONNECTOR ASSEMBLY<br/>KK (3.96)/.156 CENTER<br/>INSULATION DISPLACEMENT</b> | SHEET No.<br><b>17</b>                   |
| DOCUMENT NUMBER:<br><b>SDA-7675-****</b> | CREATED / REVISED BY:<br><b>ADERR 2006/06/16</b>                              | CHECKED BY:<br><b>LSCHMIDT 2006/06/19</b>   | APPROVED BY:<br><b>FSMITH 2006/06/20</b> |

| A-7675-ANMA      |              | A-7675-BNMA      |              | A-7675-CNMA      |              | A-7675-DNMA      |              |
|------------------|--------------|------------------|--------------|------------------|--------------|------------------|--------------|
| HOUSING          | 7674-AN      | HOUSING          | 7674-BN      | HOUSING          | 7674-CN      | HOUSING          | 7674-DN      |
| TERM. NO         | 40591-M(502) | TERM. NO         | 40591-M(502) | TERM. NO         | 40591-M(502) | TERM. NO         | 40591-M(502) |
| BACKWALL:        | NO           | BACKWALL:        | NO           | BACKWALL:        | YES          | BACKWALL:        | YES          |
| RAMP             | NO           | RAMP             | YES          | RAMP             | NO           | RAMP             | YES          |
| MOLD VOID IN CKT | NONE         | MOLD VOID IN CKT | NONE         | MOLD VOID IN CKT | NONE         | MOLD VOID IN CKT | NONE         |
| VOID TERM.IN CKT | NONE         | VOID TERM.IN CKT | NONE         | VOID TERM.IN CKT | NONE         | VOID TERM.IN CKT | NONE         |
| MATL NO          | ENG NO:      | MATL NO          | ENG NO:      | MATL NO          | ENG NO:      | MATL NO          | ENG NO:      |
|                  | A-7675-A02MA |                  | A-7675-B02MA |                  | A-7675-C02MA |                  | A-7675-D02MA |
|                  | A-7675-A03MA |                  | A-7675-B03MA |                  | A-7675-C03MA |                  | A-7675-D03MA |
|                  | A-7675-A04MA |                  | A-7675-B04MA |                  | A-7675-C04MA |                  | A-7675-D04MA |
|                  | A-7675-A05MA |                  | A-7675-B05MA |                  | A-7675-C05MA |                  | A-7675-D05MA |
|                  | A-7675-A06MA |                  | A-7675-B06MA |                  | A-7675-C06MA |                  | A-7675-D06MA |
|                  | A-7675-A07MA |                  | A-7675-B07MA |                  | A-7675-C07MA | 26-32-1074       | A-7675-D07MA |
|                  | A-7675-A08MA |                  | A-7675-B08MA |                  | A-7675-C08MA | 26-32-1084       | A-7675-D08MA |
|                  | A-7675-A09MA |                  | A-7675-B09MA | 09-07-7091       | A-7675-C09MA |                  | A-7675-D09MA |
|                  | A-7675-A10MA |                  | A-7675-B10MA | 26-32-1102       | A-7675-C10MA | 26-32-1104       | A-7675-D10MA |
|                  | A-7675-A11MA |                  | A-7675-B11MA |                  | A-7675-C11MA |                  | A-7675-D11MA |
|                  | A-7675-A12MA |                  | A-7675-B12MA |                  | A-7675-C12MA | 26-32-1124       | A-7675-D12MA |
|                  | A-7675-A13MA |                  | A-7675-B13MA |                  | A-7675-C13MA |                  | A-7675-D13MA |
| 26-32-1141       | A-7675-A14MA | 26-32-1143       | A-7675-B14MA |                  | A-7675-C14MA |                  | A-7675-D14MA |
|                  | A-7675-A15MA | 26-32-1153       | A-7675-B15MA |                  | A-7675-C15MA |                  | A-7675-D15MA |
|                  | A-7675-A16MA |                  | A-7675-B16MA | 26-32-1162       | A-7675-C16MA |                  | A-7675-D16MA |
|                  | A-7675-A17MA |                  | A-7675-B17MA |                  | A-7675-C17MA |                  | A-7675-D17MA |
| 26-32-1181       | A-7675-A18MA |                  | A-7675-B18MA | 26-32-1182       | A-7675-C18MA |                  | A-7675-D18MA |
|                  | A-7675-A19MA |                  | A-7675-B19MA |                  | A-7675-C19MA |                  | A-7675-D19MA |
| 26-32-1201       | A-7675-A20MA | 26-32-1203       | A-7675-B20MA |                  | A-7675-C20MA |                  | A-7675-D20MA |
|                  | A-7675-A21MA |                  | A-7675-B21MA |                  | A-7675-C21MA |                  | A-7675-D21MA |
|                  | A-7675-A22MA |                  | A-7675-B22MA |                  | A-7675-C22MA |                  | A-7675-D22MA |
|                  | A-7675-A23MA |                  | A-7675-B23MA |                  | A-7675-C23MA |                  | A-7675-D23MA |
|                  | A-7675-A24MA |                  | A-7675-B24MA |                  | A-7675-C24MA |                  | A-7675-D24MA |

|  |   |   |  |
|--|---|---|--|
| REVISION:<br><b>AZ2</b>                  | ECR/ECN INFORMATION:<br>EC No.: <b>UCP2006-3024</b><br>DATE: <b>6/29/2006</b> | TITLE:<br><b>CONNECTOR ASSEMBLY<br/>KK (3.96)/.156 CENTER<br/>INSULATION DISPLACEMENT</b> | SHEET No.<br><b>18</b>                   |
| DOCUMENT NUMBER:<br><b>SDA-7675-****</b> | CREATED / REVISED BY:<br><b>ADERR 2006/06/16</b>                              | CHECKED BY:<br><b>LSCHMIDT 2006/06/19</b>   | APPROVED BY:<br><b>FSMITH 2006/06/20</b> |

| A-7675-ANMH      |              | A-7675-BNMH      |              | A-7675-CNMH      |              | A-7675-DNMH      |              |
|------------------|--------------|------------------|--------------|------------------|--------------|------------------|--------------|
| HOUSING          | 7674-AN      | HOUSING          | 7674-BN      | HOUSING          | 7674-CN      | HOUSING          | 7674-DN      |
| TERM. NO         | 40591-M(555) | TERM. NO         | 40591-M(555) | TERM. NO         | 40591-M(555) | TERM. NO         | 40591-M(555) |
| BACKWALL:        | NO           | BACKWALL:        | NO           | BACKWALL:        | YES          | BACKWALL:        | YES          |
| RAMP             | NO           | RAMP             | YES          | RAMP             | NO           | RAMP             | YES          |
| MOLD VOID IN CKT | NONE         | MOLD VOID IN CKT | NONE         | MOLD VOID IN CKT | NONE         | MOLD VOID IN CKT | NONE         |
| VOID TERM.IN CKT | NONE         | VOID TERM.IN CKT | NONE         | VOID TERM.IN CKT | NONE         | VOID TERM.IN CKT | NONE         |
| MATL NO          | ENG NO:      | MATL NO          | ENG NO:      | MATL NO          | ENG NO:      | MATL NO          | ENG NO:      |
|                  | A-7675-A02MH |                  | A-7675-B02MH |                  | A-7675-C02MH | 26-32-7024       | A-7675-D02MH |
|                  | A-7675-A03MH | 26-32-7032       | A-7675-B03MH |                  | A-7675-C03MH | 26-32-7034       | A-7675-D03MH |
|                  | A-7675-A04MH |                  | A-7675-B04MH |                  | A-7675-C04MH | 26-32-7044       | A-7675-D04MH |
|                  | A-7675-A05MH |                  | A-7675-B05MH |                  | A-7675-C05MH | 26-32-7054       | A-7675-D05MH |
|                  | A-7675-A06MH | 26-32-7062       | A-7675-B06MH | 26-32-7063       | A-7675-C06MH | 26-32-7064       | A-7675-D06MH |
|                  | A-7675-A07MH |                  | A-7675-B07MH |                  | A-7675-C07MH | 26-32-7074       | A-7675-D07MH |
|                  | A-7675-A08MH | 26-32-7082       | A-7675-B08MH |                  | A-7675-C08MH | 26-32-7084       | A-7675-D08MH |
|                  | A-7675-A09MH |                  | A-7675-B09MH |                  | A-7675-C09MH | 26-32-7094       | A-7675-D09MH |
|                  | A-7675-A10MH |                  | A-7675-B10MH |                  | A-7675-C10MH | 26-32-7104       | A-7675-D10MH |
|                  | A-7675-A11MH |                  | A-7675-B11MH |                  | A-7675-C11MH | 26-32-7114       | A-7675-D11MH |
|                  | A-7675-A12MH |                  | A-7675-B12MH |                  | A-7675-C12MH | 26-32-7124       | A-7675-D12MH |
|                  | A-7675-A13MH |                  | A-7675-B13MH |                  | A-7675-C13MH | 26-32-7134       | A-7675-D13MH |
|                  | A-7675-A14MH |                  | A-7675-B14MH |                  | A-7675-C14MH | 26-32-7144       | A-7675-D14MH |
|                  | A-7675-A15MH |                  | A-7675-B15MH |                  | A-7675-C15MH | 26-32-7154       | A-7675-D15MH |
|                  | A-7675-A16MH |                  | A-7675-B16MH |                  | A-7675-C16MH | 26-32-7164       | A-7675-D16MH |
|                  | A-7675-A17MH |                  | A-7675-B17MH |                  | A-7675-C17MH | 26-32-7174       | A-7675-D17MH |
|                  | A-7675-A18MH |                  | A-7675-B18MH |                  | A-7675-C18MH | 26-32-7184       | A-7675-D18MH |
|                  | A-7675-A19MH |                  | A-7675-B19MH |                  | A-7675-C19MH | 26-32-7194       | A-7675-D19MH |
|                  | A-7675-A20MH |                  | A-7675-B20MH |                  | A-7675-C20MH | 26-32-7204       | A-7675-D20MH |
|                  | A-7675-A21MH |                  | A-7675-B21MH |                  | A-7675-C21MH | 26-32-7214       | A-7675-D21MH |
|                  | A-7675-A22MH |                  | A-7675-B22MH |                  | A-7675-C22MH | 26-32-7224       | A-7675-D22MH |
|                  | A-7675-A23MH |                  | A-7675-B23MH |                  | A-7675-C23MH | 26-32-7234       | A-7675-D23MH |
|                  | A-7675-A24MH |                  | A-7675-B24MH |                  | A-7675-C24MH | 26-32-7244       | A-7675-D24MH |

|  |   |   |  |
|--|---|---|--|
| REVISION:<br><b>AZ2</b>                  | ECR/ECN INFORMATION:<br>EC No.: UCP2006-3024<br>DATE: 6/29/2006 | TITLE:<br><b>CONNECTOR ASSEMBLY<br/>KK (3.96)/.156 CENTER<br/>INSULATION DISPLACEMENT</b> | SHEET No.<br><b>19</b>                   |
| DOCUMENT NUMBER:<br><b>SDA-7675-****</b> | CREATED / REVISED BY:<br><b>ADERR 2006/06/16</b>                | CHECKED BY:<br><b>LSCHMIDT 2006/06/19</b>   | APPROVED BY:<br><b>FSMITH 2006/06/20</b> |









