

GENERAL DESCRIPTION

AVX offers the 12 way mini I/O connector as a standard product. The fixed SMT socket is designed to be mounted on a PCB and housed within a portable device. The plug is designed for cable termination with options of single and double sided contacts. Parts can be supplied as connectors only for sub contract termination, or with a custom overmold cover. The socket connector houses 12 contacts in a single row on 0.50mm pitch.

APPLICATIONS

- Medical Electronics
- Cellular Phones
- Industrial Modules
- Hand Held Devices

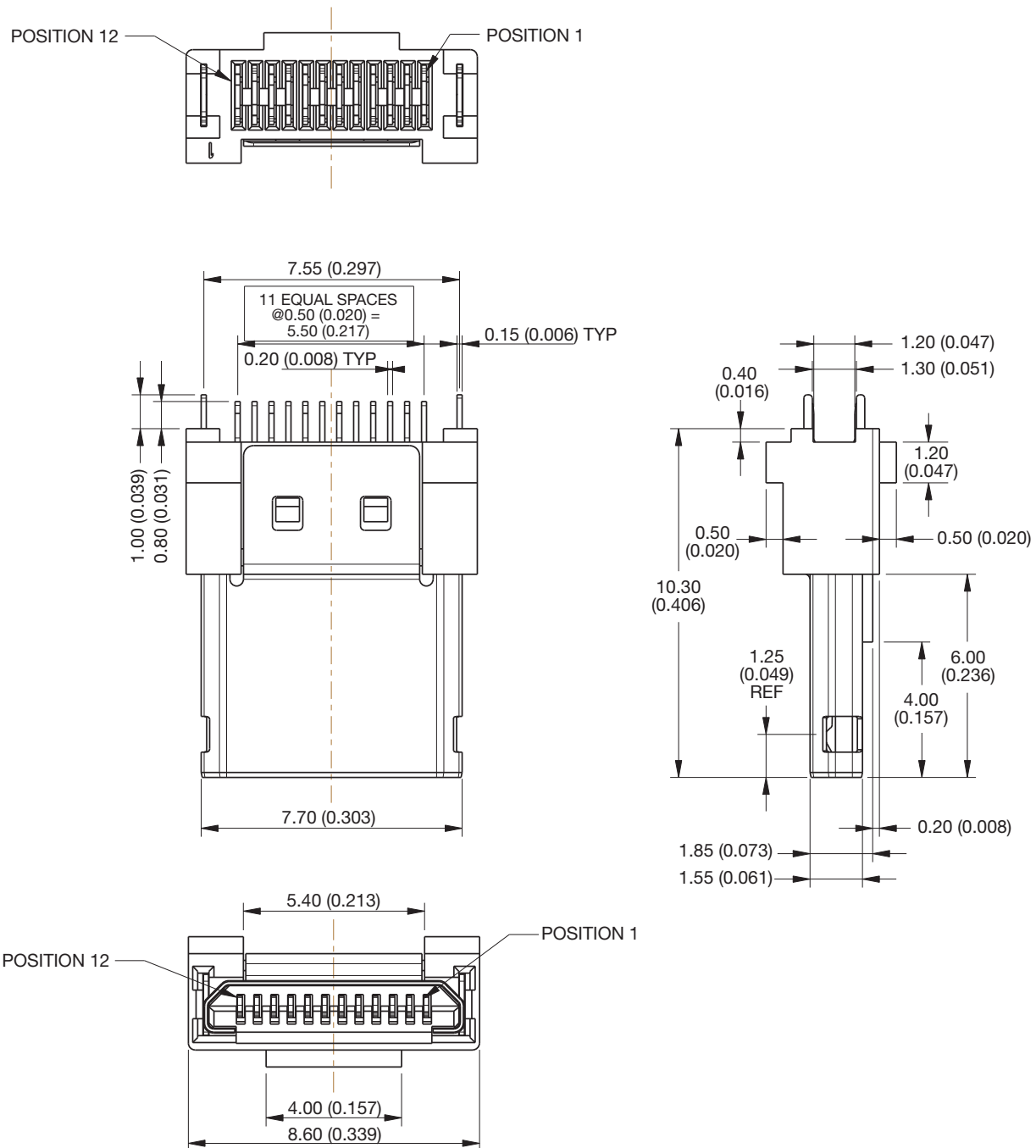
KEY FEATURES AND BENEFITS

- No latching required due to the click design of the contacts.
- Optional customization of the overmold cover.
- Compact size to optimize PCB real estate.
- Metal outer cover provides integrated PCB location and solder tab.
- Positive alignment and orientation of the plug and socket.

9257 Mini I/O Connector



9257 STANDARD 12 WAY MINI I/O PLUG



HOW TO ORDER

10

Prefix

10 = Plug Connector

9257

Series

012

No of Ways

12 = 012

101

Contacts

101 = Solder Tail

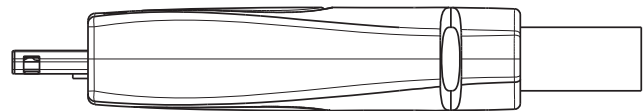
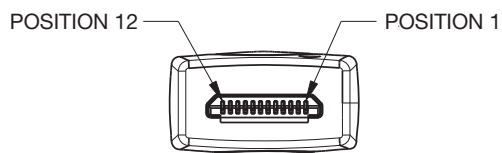
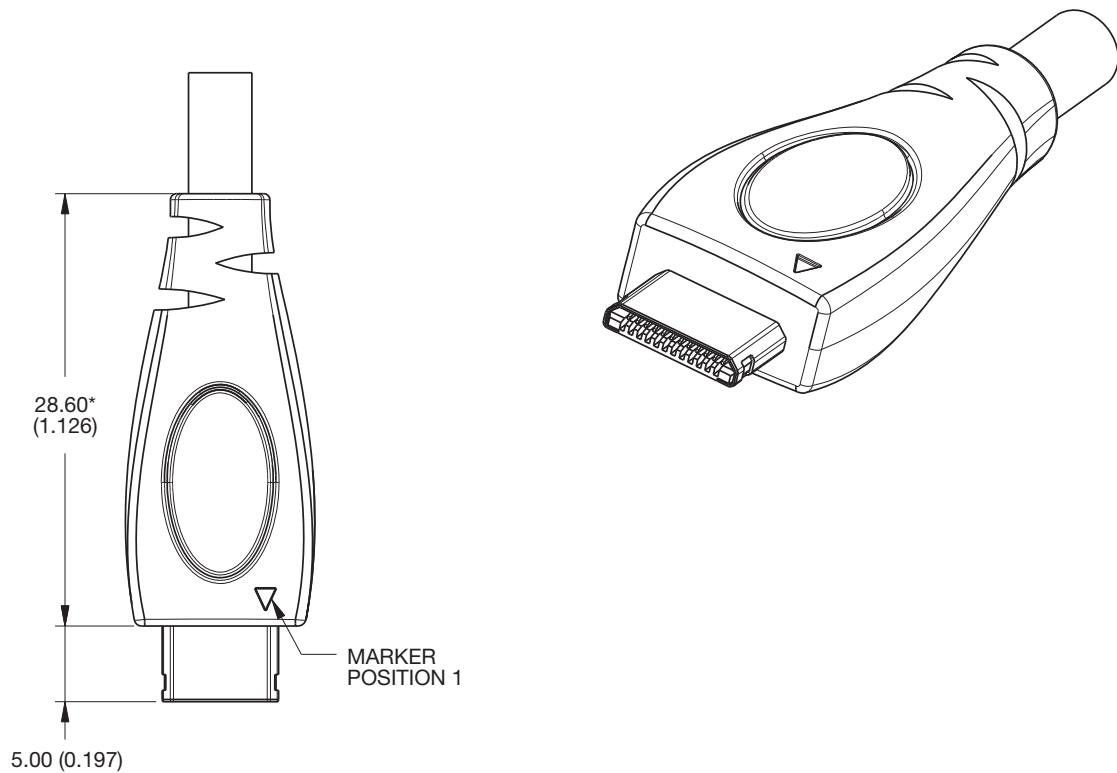
006

Plating Option

006 = 0.25µm Gold over Nickel



SUGGESTED OVERMOLDING FOR PLUG CONNECTOR

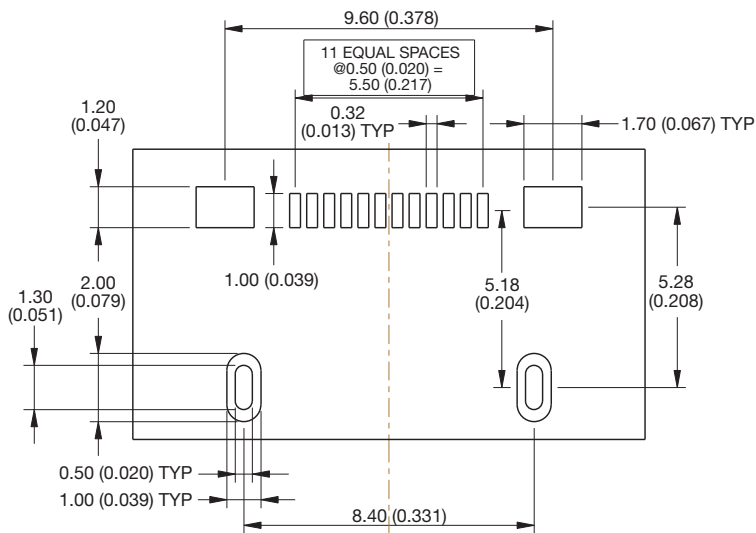
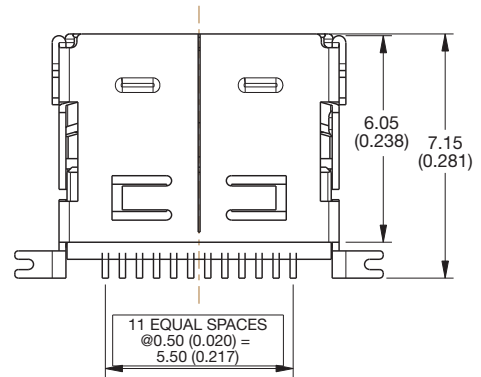
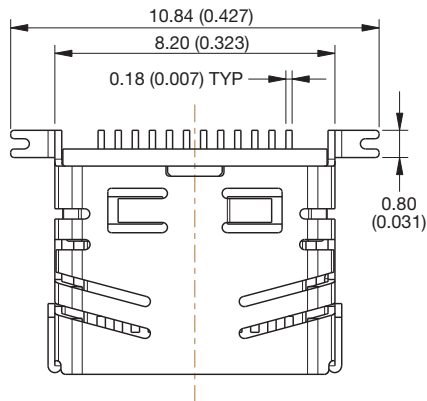


DIMENSION MARKED WITH A * ARE
VARIABLE DIMENSION TO SUIT
CUSTOMER DESIGN AND APPLICATION

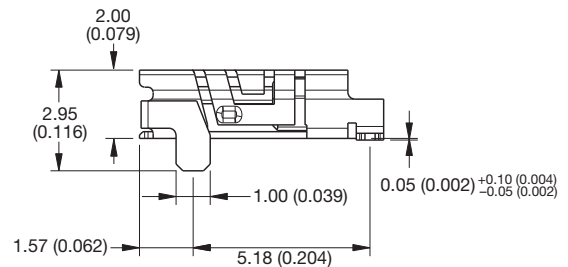
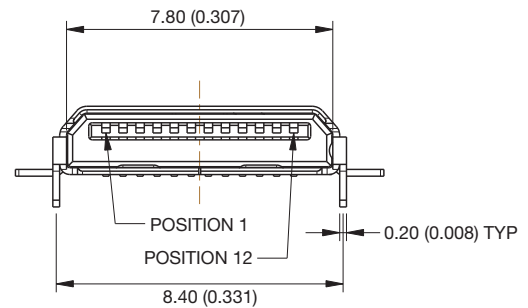
9257 Mini I/O Connector



9257 STANDARD 12 WAY MINI I/O SOCKET



SUGGESTED PCB LAYOUT



HOW TO ORDER

20
Prefix
20 = Socket Connector

9257
Series

012
No of Ways
12 = 012

101
Contacts
101 = SMT Termination

01
Solder Bracket
01 = Solder Bracket with location pegs

6
Plating Option
6 = 0.25µm Gold over Nickel

