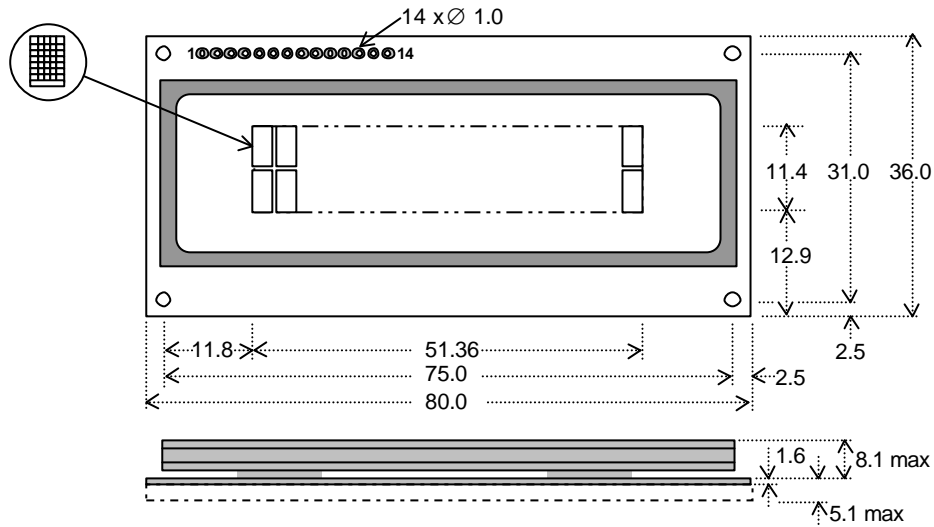


5X7 Dot Character VFD Module

CU16025ECPB-W6J

- ❑ 2 X 16 Characters 5mm High
- ❑ LCD Compatible Design
- ❑ Operating Temp -40°C to +85°C
- ❑ Single 5V Supply with Power Save Mode
- ❑ High Brightness Blue Green Display
- ❑ Selectable 4/8 bit M68/i80 Interface
- ❑ ASCII + Extended Character Font
- ❑ 8 User Definable Character RAM
- ❑ 4 Level Brightness Control Function

The module includes the Vacuum Fluorescent Display glass, driver and micro-controller ICs with refresh RAM, character generator and interface logic. The high speed 8 bit parallel interface is 5V CMOS compatible suitable for connection to a host CPU bus which can be set to M68 or i80 series interface by a solder link on the module. Brightness control and power down functions are provided. A full data sheet is available. (follows this page)



Dimensions in mm & subject to tolerances
Mounting holes 2.5mm dia.

ELECTRICAL SPECIFICATION

Parameter	Symbol	Value	Condition
Power Supply Voltage	V _{CC}	5.0VDC +/- 5%	GND=0V
Power Supply Current	I _{CC}	150mADC typ.	V _{CC} =5V
Logic High Input	V _{IH}	2.0VDC min.	V _{CC} =5V
Logic Low Input	V _{IL}	0.8VDC max.	V _{CC} =5V
Logic High Output	V _{OH}	V _{CC} -0.4VDC min.	I _{OH} = -1.6mA
Logic Low Output	V _{OL}	0.4VDC max.	I _{OL} = 1.6mA

The power on rise time should be less than 50ms. The inrush current at power on can be 2 x I_{CC}. The I_{CC} current is 10mA maximum while in power down mode.

OPTICAL and ENVIRONMENTAL SPECIFICATIONS

Parameter	Value
Character Size/Pitch (XxY mm)	2.46 x 4.76/3.26 x 6.01
Dot Size/Pitch (XxY mm)	0.38 x 0.56/0.52 x 0.7
Luminance	700 cd/m ² (204 fL) Typ.
Colour of Illumination	Blue-Green (Filter for more colours)
Operating Temperature	-40°C to +85°C
Storage Temperature	-50°C to +85°C
Operating Humidity (non condensing)	20 to 80% RH @ 25°C

SOFTWARE COMMANDS

Instruction	R/W	RS	D0-D7
Clear Display	L	L	01H
Cursor Return Home	L	L	02H-03H
Entry Mode Set	L	L	04H-07H
Display ON/OFF	L	L	08H-0FH
Cursor/Display Shift	L	L	10H-1FH
Function Set	L	L	20H-3FH
Brightness Set	L	H	00H-03H
Set CG RAM Addr.	L	L	40H-7FH
Set DD RAM Addr.	L	L	80H-E7H
Read BUSY/Addr.	H	L	00H-FFH
Write Data to RAM	L	H	00H-FFH
Read Data from RAM	H	H	00H-FFH

PIN CONNECTIONS

Pin	Sig	Pin	Sig
1	GND	2	V _{CC}
3	(Fnc)	4	RS
5	R/W #	6	E #
7	DB0	8	DB1
9	DB2	10	DB3
11	DB4	12	DB5
13	DB6	14	DB7

TIMING PARAMETERS (min)

(E)nable Cycle Time	1000ns
(E)nable Pulse Width	450ns
Hold after (E)nable	10ns

CHARACTER FONT

Hex	00	10	20	30	40	50	60	70	80	90	A0	B0	C0	D0	E0	F0
00			0	0	P	\	P	A	F	-	9	E	0	P		
01			1	A	0	a	9	A	a	e	u	7	7	4	3	9
02			"	2	B	R	b	r	Δ	E	r	ι	υ	z	β	θ
03			#	3	C	S	c	s	Δ	R	ι	υ	z	β	θ	
04			\$	4	D	T	t	t	a	#	\	I	l	P	P	Q
05			%	5	E	U	e	u	E	o	.	7	7	1	6	U
06			&	6	F	V	f	v	o	+	7	h	2	3	P	Σ
07			'	7	G	U	g	u	o	o	7	7	7	7	9	T
08			(8	H	X	h	x	o	l	o	7	7	7	7	X
09)	9	I	Y	i	y	o	o	7	7	7	7	7	Y
0A			*	:	J	Z	j	z	U	d	z	U	U	U	U	7
0B			+	:	K	k	(Q	Δ	7	7	E	o	o	7	7
0C			,	<	L	#	l	l	l	z	7	7	7	7	7	7
0D			-	=	M	I	n	>	#	7	7	7	7	7	7	7
0E			.	>	N	^	n	7	7	7	7	7	7	7	7	7
0F			+	/	?	0	_	o	+	S	7	7	7	7	7	7

JUMPER LINKS

Interface M68/i80
When jumper link JP2 is soldered, these inputs change to i80 series CPU control lines.
Pin 5 = /WR Pin 6 = /RD

Pin 3 (Fnc) Input

This is normally open circuit. If pads JP1.1 and JP1.2 are linked. Pin 3 = /Reset.

CONTACT

Noritake Sales Office Tel Nos
Nagoya Japan: +81 (0)52-561-9867
Canada: +1-416-291-2946
Chicago USA: +1-847-439-9020
Munich (D): +49 (0)89-3214-290
Itron UK: +44 (0)1493 601144
Rest Europe: +49 (0)61-0520-9220
www.noritake-itron.com

Subject to change without notice.
IUK Doc Ref: 03437 Iss:3 10 June 01

Noritake **itron**

VACUUM FLUORESCENT DISPLAY
MODULE
SPECIFICATION

Model: CU16025ECPB-W6J

SPECIFICATION NO. : GGM131A

DATE OF ISSUE : Aug. 2, 2000

REVISION :

PUBLISHED BY : NORITAKE ELECTRONICS Co., LTD / JAPAN

This specification is subject to change without prior notice.

1. General description

1.1 Application

Readout of computer, micro-computer, communication terminal and automated instruments.

1.2 Construction

Single board display module consists of 32 characters(2x16) VFD, one chip controller driver which has character generator ROM and RAM, DC/DC converter.

1.3 Scope

Interface level is TTL-8/4 bit parallel and the module can be connected to the CPU bus directly. +5V single power supply is required.

2. Absolute Maximum Ratings

Parameter	Symbol	Min.	Typ.	Max.	Unit	Condition
Power Supply Voltage	V _{CC}	0	—	5.5	V _{DC}	—
Logic Input Voltage	V _I	0	—	V _{CC}	V _{DC}	—

3. Electrical Ratings

Conditions: Ta=25°C

Parameter	Symbol	Min.	Typ.	Max.	Unit	Condition
Logic Input Voltage	"H"	V _{IH}	2.0	—	V _{CC}	V _{DC} V _{CC} =5.0V
	"L"	V _{IL}	0	—	0.8	
Power Supply Voltage	V _{CC}	4.75	5.00	5.25	V _{DC}	—

4. Electrical Characteristics

Conditions: Ta=25°C, V_{CC}=5.0V

Parameter	Symbol	Min.	Typ.	Max.	Unit	Condition
Logic Output Voltage	"H"	V _{OH}	V _{CC} 0.4	—	—	V _{DC} I _{OH} =-1.60mA
	"L"	V _{OL}	—	—	0.4	
Power Supply Current 1	I _{CC1}	—	150	260	mA	Display ON
Power Supply Current 2	I _{CC2}	—	2	10	mA	Display OFF

Note: I_{CC} shows the current, when all dots are turned on.

Slow rise up power supply may cause a failure of Power-on reset which is explained in "8.2 Power-on reset". Less than 50ms power rising time is recommended.

After V_{CC} rise at 4.75V, it takes more than 260ms for Power-on reset.

I_{CC} might be anticipated more than twice as usual at power on rush.

5. Optical Characteristics

Number of characters	: 32 (2 lines x 16 chars)
Matrix format	: 5 x 7 dot with underline
Display area	: 51.36 x 11.4 mm (X x Y)
Character size	: 2.46 x 4.76 mm (X x Y) Underline is not included.
Character pitch	: 3.26 mm
Line pitch	: 6.01 mm
Dot size	: 0.38 x 0.56 mm (X x Y)
Dot pitch	: 0.52 x 0.7 mm (X x Y)
Luminance	: 350 cd/m ² (100 fL) Min.
Color of illumination	: Blue - Green

6. Environmental Conditions

Operating temperature	: -40 to +85 °C
Storage temperature	: -50 to +85 °C
Operating humidity	: 20 to 80 % RH (Non condensation)
Vibration(Non operation)	: 10 to 55 to 10Hz (Frequency) 1.0 mm (Total Amplitude) 30 Min. (Duration) X,Y,Z each direction
Shock (Non operation)	: 980 m/s ² (100 G) , 6ms

7. Functional Descriptions

7.1 Instruction table

Instruction	CODE										Cycle Time	Description
	RS	R/W	DB7	DB6	DB5	DB4	DB3	DB2	DB1	DB0		
Display clear	0	0	0	0	0	0	0	0	0	1	2.3 ms Max.	Clears all Display and sets DD RAM address 0 in the address counter.
Cursor home	0	0	0	0	0	0	0	0	1	*	1*tCYC	Sets DD RAM address 0 in the address counter. Also returns the display being shifted to the original position. DD RAM contents remain unchanged.
Entry mode set	0	0	0	0	0	0	0	1	I/D	S	1*tCYC	Sets the cursor direction and specifies display shift. These operations are performed during writing / reading data.
Display ON/OFF control	0	0	0	0	0	0	1	D	C	B	1*tCYC	Sets all display ON/OFF(D), cursor ON/OFF(C), cursor blink of character position(B).
Cursor or display shift	0	0	0	0	0	1	S/C	R/L	*	*	1*tCYC (2*tCYC)	Shifts display or cursor, keeping DD RAM contents.
Function set	0	0	0	0	1	IF	*	*	*	*	1*tCYC	Sets data length (IF).
Brightness control	1	0	*	*	*	*	*	*	BR1	BR0	1*tCYC	Accepts 1 byte data of just after "Function set" as brightness control data.

7.2 Display Clear

DB7	DB6	DB5	DB4	DB3	DB2	DB1	DB0	
0	0	0	0	0	0	0	1	01H
RS=0								

This instruction

1. Fills all locations in the display data (DD) RAM with 20H (Blank character).
2. Clears the contents of the address counter to 0H.
3. Sets the display for zero character shift.
4. Sets the address counter to point to the DD RAM.
5. If the cursor is displayed, moves the cursor to the left most character in the top line (line 1).
6. Sets the address counter to increment on each access of DD RAM or CG RAM.

7.3 Cursor Home

DB7	DB6	DB5	DB4	DB3	DB2	DB1	DB0	
0	0	0	0	0	0	1	*	02H to 03H
RS=0								*: don't care

This instruction

1. Clears the contents of the address counter to 0H.
2. Sets the address counter to point to the DD RAM.
3. Sets the display for zero character shift.
4. If the cursor is displayed, moves the left most character in the top line (line 1).

7.4 Entry Mode Set

DB7	DB6	DB5	DB4	DB3	DB2	DB1	DB0	
0	0	0	0	0	1	I/D	S	04H to 07H
RS=0								

The I/D bit selects the way in which the contents of the address counter are modified after every access to DD RAM or CG RAM.

I/D=1: The address counter is incremented.

I/D=0: The address counter is decremented.

The S bit enables display shift, instead of cursor shift, after each write or read to the DD RAM.

S =1: Display shift enabled.

S =0: Cursor shift enabled.

The direction in which the display is shifted is opposite in sense to that of the cursor.

For example if S= 0 and I/D= 1, the Cursor would shift one character to the right after a CPU writes to DD RAM. However if S= 1 and I/D= 1, the display would shift one character to the left and the cursor would maintain its position on the panel.

The cursor will already be shifted in the direction selected by I/D during reads of the DD RAM, irrespective of the value of S. Similarly reading and writing the CG RAM always shifts the cursor. Also both lines are shifted simultaneously.

Cursor move and Display shift by the "Entry Mode Set"

I/D	S	After writing DD RAM data	After reading DD RAM data
0	0	The cursor moves one character to the left.	The cursor moves one character to the left.
1	0	The cursor moves one character to the right.	The cursor moves one character to the right.
0	1	The display shifts one character to the right without cursor's move.	The cursor moves one character to the left.
1	1	The display shifts one character to the left without cursor's move.	The cursor moves one character to the right.

7.5 Display ON/OFF

DB7	DB6	DB5	DB4	DB3	DB2	DB1	DB0	
0	0	0	0	1	D	C	B	08H to 0FH
RS=0								

This instruction controls various features of the display.

The D bit turns the entire display on or off.

D = 1: Display on

D = 0: Display off

Note: When display is turned off, power converter also inhibited and reduce a power consumption.

The C bit turns the cursor on or off.

C = 1: Cursor on

C = 0: Cursor off

The B bit enables blinking of the character the cursor coincides with.

B = 1: Blinking on

B = 0: Blinking off

Blinking is achieved by alternating between a normal and all on display of a character. The cursor blinks with a frequency of about 1.1 Hz and DUTY 50%.

7.6 Cursor/Display Shift

DB7	DB6	DB5	DB4	DB3	DB2	DB1	DB0	
0	0	0	1	S/C	R/L	*	*	10H to 1FH
RS=0								*: don't care

This instruction shifts the display and/or moves the cursor, on character to the left or right, without reading nor writing DD RAM.

The S/C bit selects movement of the cursor or movement of both the cursor and the display.

S/C= 1: Shift both cursor and display

S/C= 0: Shift cursor only

The R/L bit selects left ward or right ward movement of the display and/or cursor.

R/L= 1: Shift one character right

R/L= 0: Shift one character left

Cursor move and Display Shift by the "Cursor /Display Shift"

S/C	R/L	Cursor shift	Display shift
0	0	Move one character to the left	No shift
0	1	Move one character to the right	No shift
1	0	Shift one character to left with display	Shift one character to the left
1	1	Shift one character to right with display	Shift one character to the right

7.7 Function Set

This command sets width of data bus line by itself, and sets screen brightness by following one byte data.

7.7.1 Function Set Command

DB7	DB6	DB5	DB4	DB3	DB2	DB1	DB0	
0	0	1	IF	*	*	*	*	20H to 3FH
RS=0								*: don't care

This instruction initializes the system, and must be the first instruction executed after power-on. The IF bit selects between an 8-bit or a 4-bit bus width interface.

IF= 1: 8-bit CPU interface using DB7 to DB0

IF= 0: 4-bit CPU interface using DB7 to DB4

7.7.2 Brightness Control

DB7	DB6	DB5	DB4	DB3	DB2	DB1	DB0	
*	*	*	*	*	*	BR1	BR0	00H to 03H
RS=1								*: don't care

One byte data (RS=1) which follows the "Function Set Command" is considered as brightness data. When a command (RS=0) is written after the "Function Set Command", the brightness Control function is not initiated. Screen brightness is as follows;

BR1	BR0	Brightness
0	0	100% (Default)
0	1	75%
1	0	50%
1	1	25%

7.8 Set CG RAM Address

DB7	DB6	DB5	DB4	DB3	DB2	DB1	DB0	
0	1	ACG						40H to 7FH
RS=0								

This instruction

1. Loads a new 6-bit address into the address counter.
2. Sets the address counter to address CG RAM.

Once "Set CG RAM Address" has been executed, the contents of the address counter will be automatically modified after every access of CG RAM, as determined by the "7.4 Entry Mode Set" instruction. The active width of the address counter, when it is addressing CG RAM, is 6-bits so the counter will wrap around to 00H from 3FH if more than 64 bytes of data are written to CG RAM.

7.9 Set DD RAM Address

DB7	DB6	DB5	DB4	DB3	DB2	DB1	DB0	
1	ADD						80H to A7H (1 line)	
RS=0								C0H to E7H (2 line)

This instruction

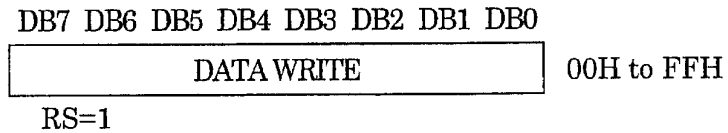
1. Loads a new 7-bit address into the address counter.
2. Sets the address counter to point to the DD RAM.

Once the “Set DD RAM Address” instruction has been executed, the contents of the address counter will be automatically modified after each access of DD RAM, as selected by the “7.4 Entry Mode Set” instruction.

Valid DD RAM Address Ranges

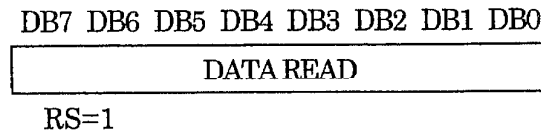
	Number of Characters	ADR
1st line	40	00H to 27H
2nd line	40	40H to 67H

7.10 Write Data



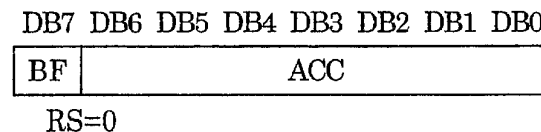
This instruction writes the data in DB7 to DB0 into either the CG RAM or the DD RAM. The RAM space (CG or DD), and the address in that space, that is accessed depends on whether a “Set CG RAM Address” or a “Set DD RAM Address” instruction was last executed, and on the parameters of that instruction. The contents of the address counter will be automatically modified after each “Write Data”, as determined by the “7.4 Entry Mode Set”. When data is written to the CG RAM, the DB7, DB6 and DB5 bits are not displayed as characters.

7.11 Read Data



This instruction reads data from either CG RAM or DD RAM, depending on the type of “Set RAM Address” instructions last sent. The address in that space depends on the “Set RAM Address” instruction parameters. Immediately before executing “Read Data”, “Set CG RAM Address” or “Set DD RAM Address” must be executed. The contents of the address counter are modified after each “Read Data” as determined by the “7.4 Entry Mode Set”. Display shift is not executed, as described at of the “7.4 Entry Mode Set”.

7.12 Read Busy Flag/Address Counter



Reading the instruction register yields the current value of the address counter and the busy flag. This instruction must be executed prior to any other instructions. ACC, the depending on the type of "Set RAM Address" instruction last sent.

In "Busy Flag Check" immediately after executing "Write Data" instruction, a valid address counter value can be ready as soon as BF goes low. The BF bit shows the status of the busy flag.

BF= 1: busy

BF= 0: ready for next instruction, command receivable.

8. Other features

8.1 CG RAM

The display module equips CG RAM as user's are 320 bit = (5x8 bit / char) x 8 chars of store user definable character fonts. The character fonts consists of 5 x 7 dots with underline. The number 1 ~ 36 corresponds to character fonts.

Character code	CG RAM address						CG RAM data (character pattern)								
	DB5	DB4	DB3	DB2	DB1	DB0	DB7	DB6	DB5	DB4	DB3	DB2	DB1	DB0	
00H or (08H)	0	0	0	0	0	0	*	*	*	1	2	3	4	5	
	0	0	0	0	0	1	*	*	*	6	7	8	9	10	
	0	0	0	0	1	0	*	*	*	11	12	13	14	15	
	0	0	0	0	1	1	*	*	*	16	17	18	19	20	
	0	0	0	1	0	0	*	*	*	21	22	23	24	25	
	0	0	0	1	0	1	*	*	*	26	27	28	29	30	
	0	0	0	1	1	0	*	*	*	31	32	33	34	35	
	0	0	0	1	1	1	*	*	*	36	0	0	0	0	
01H or (09H)	0	0	1	0	0	0	*	*	*	1	2	3	4	5	
	0	0	1	0	0	1	*	*	*	6	7	8	9	10	
	0	0	1	0	1	0	*	*	*	11	12	13	14	15	
	0	0	1	0	1	1	*	*	*	16	17	18	19	20	
	0	0	1	1	0	0	*	*	*	21	22	23	24	25	
	0	0	1	1	0	1	*	*	*	26	27	28	29	30	
	0	0	1	1	1	0	*	*	*	31	32	33	34	35	
	0	0	1	1	1	1	*	*	*	36	0	0	0	0	

REMARKS; "*" : Don't care "0" : Turned off "1" : Turned on

Dot assignment

1	2	3	4	5
6	7	8	9	10
11	12	13	14	15
16	17	18	19	20
21	22	23	24	25
26	27	28	29	30
31	32	33	34	35
36				

Dot 36 is an under line.

8.2 Power-on reset

Internal status of the module is initialized, when controller detect rising power supply up. The status are as follows;

1. Display clear
 Fills the DD RAM with 20Hex (space code).
 During executing of "Display Clear" (Max. 2.3 ms), the busy flag (BF) is "1".
2. Set the address counter to 0H.
 Sets the address counter to point the DD RAM.
3. Display ON/OFF
 D= 0: Display OFF
 C= 0: Cursor OFF
 B= 0: Blink OFF
4. Entry Mode Set
 I/D= 1: Increment (+1)
 S= 0: No display shift
5. Function Set
 IF= 1: 8-bit interface
6. Brightness Control
 BR0= BR1= 0: 100%

• Remarks

There is a possibility that reset doesn't work by slow start power supply causes. Therefore the initializing by commands needs.

8.3 CPU interface

The display module is Capable to communicate some different type of bus systems such as i80 or M68, 8-bit or 4-bit data.

8.3.1 Select CPU

The module is able to connected to bus of i80 type or M68 type CPU, by setting JP2 jumper. Refer to "8.5 Jumper" for detail.

8.3.2 4-Bit CPU interface

If 4-bit interface is used, the 8-bit instruction are written nibble by nibble: the high-order nibble being written first, followed by low-order nibble. It is not necessary to check the busy flag between writing separate nibbles of individual instructions.

See "7.7.1 Function Set Command" for more information.

8.4 Test Mode

Self test functions Built into the display module. The test mode is initiated by connecting second (T1) and third (GND) hole of 3 through holes(CN2) and power up. In the test mode, checker patterns are displayed on all character position.

Refer to "8.5 Jumper" for location of each through hole.

8.5 Jumper

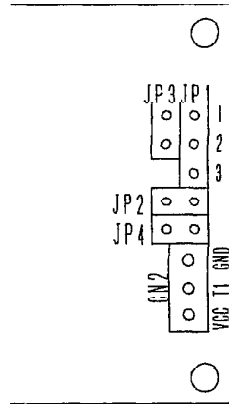
Some jumper are prepared on the PCB board, to set operating mode of the display module. A soldering iron is required to short jumper.

No2 and No3 of the jumper "JP1" is used to reset of module.

You can reset the module by shorting No2 and No3 of the jumper "JP1" for some interval which is longer than 10 us.

The following figure shows the location of each jumper.

Location



The following table shows the function of No1 and No2 of JP1, JP2.

CU16025ECPB-W6J is no reset inputs from third hole of 14 through holes and M68 CPU bus interface. Reset input signal is active when it is low.

Table of No 1 and No 2 of JP1 setting

No 1 and No 2 of JP1	third hole of 14 through holes
open	NC
short	$\overline{\text{RESET}}$

NC: no connection

Table of JP2 setting

JP2	CPU bus mode	Control Signals
open	M68 type	E, $\overline{\text{R/W}}$
short	i80 type	$\overline{\text{WR}}$, $\overline{\text{RD}}$

JP3 and JP4 is factory use only.

9. Character Font

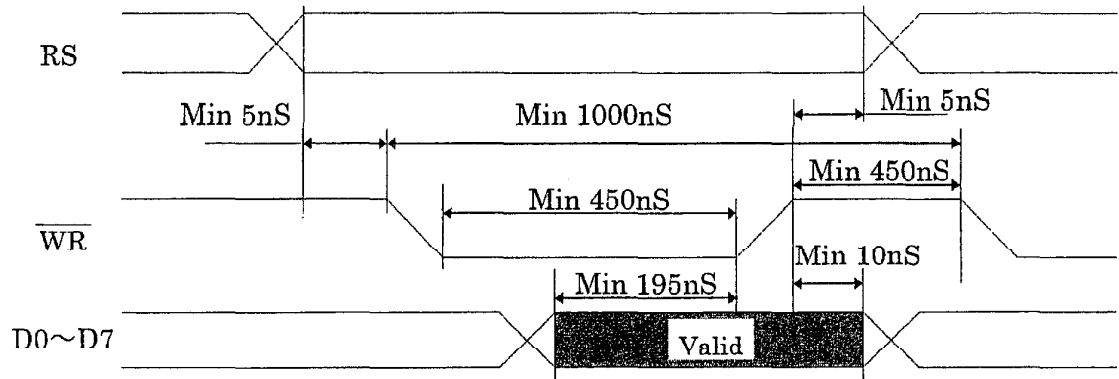
				D7	0	0	0	0	0	0	0	0	1	1	1	1	1	1	1	1
				D6	0	0	0	0	1	1	1	1	0	0	0	0	1	1	1	1
				D5	0	0	1	1	0	0	1	1	0	0	1	1	0	0	1	1
				D4	0	1	0	1	0	1	0	1	0	1	0	1	0	1	0	1
D3	D2	D1	D0		0	1	2	3	4	5	6	7	8	9	A	B	C	D	E	F
0	0	0	0	0	!	!	0	a	P	'	P	Δ	Π		-	9	Σ	Ω	P	
0	0	0	1	1	!	!	1	A	Q	a	q	Δ	Δ	Δ	7	†	△	Δ	q	
0	0	1	0	2	!	!"	2	B	R	b	r	Δ	Δ	Δ	7	†	△	Δ	q	
0	0	1	1	3	!	!"	3	C	S	c	s	Δ	Δ	Δ	7	†	△	Δ	q	
0	1	0	0	4	!	!"	4	D	T	t	a	Δ	Δ	Δ	7	†	△	Δ	q	
0	1	0	1	5	!	!"	5	E	U	e	u	Δ	Δ	Δ	7	†	△	Δ	q	
0	1	1	0	6	!	!"	6	F	V	f	v	Δ	Δ	Δ	7	†	△	Δ	q	
0	1	1	1	7	!	!"	7	G	W	w	Δ	Δ	Δ	7	†	△	Δ	q		
1	0	0	0	8	!	!"	8	H	X	x	Δ	Δ	Δ	7	†	△	Δ	q		
1	0	0	1	9	!	!"	9	I	Y	y	Δ	Δ	Δ	7	†	△	Δ	q		
1	0	1	0	A	!	!"	A	J	Z	z	Δ	Δ	Δ	7	†	△	Δ	q		
1	0	1	1	B	!	!"	B	K	[k	Δ	Δ	Δ	7	†	△	Δ	q		
1	1	0	0	C	!	!"	C	L]	l	Δ	Δ	Δ	7	†	△	Δ	q		
1	1	0	1	D	!	!"	D	M	[m	Δ	Δ	Δ	7	†	△	Δ	q		
1	1	1	0	E	!	!"	E	N	^	n	Δ	Δ	Δ	7	†	△	Δ	q		
1	1	1	1	F	!	!"	F	O	_	o	Δ	Δ	Δ	7	†	△	Δ	q		

Character Table 0
[CG57103]

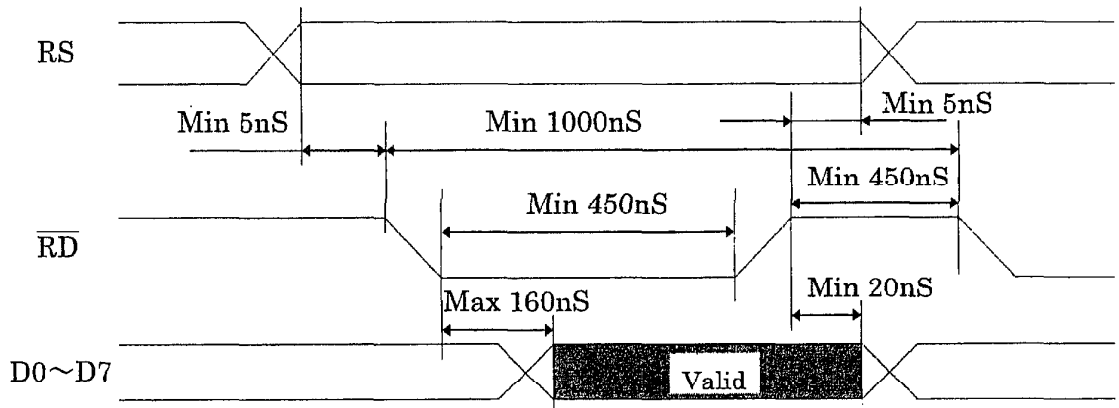
Note: Font number 00~07Hex (08~0FHex) is UDF.

10. Timing

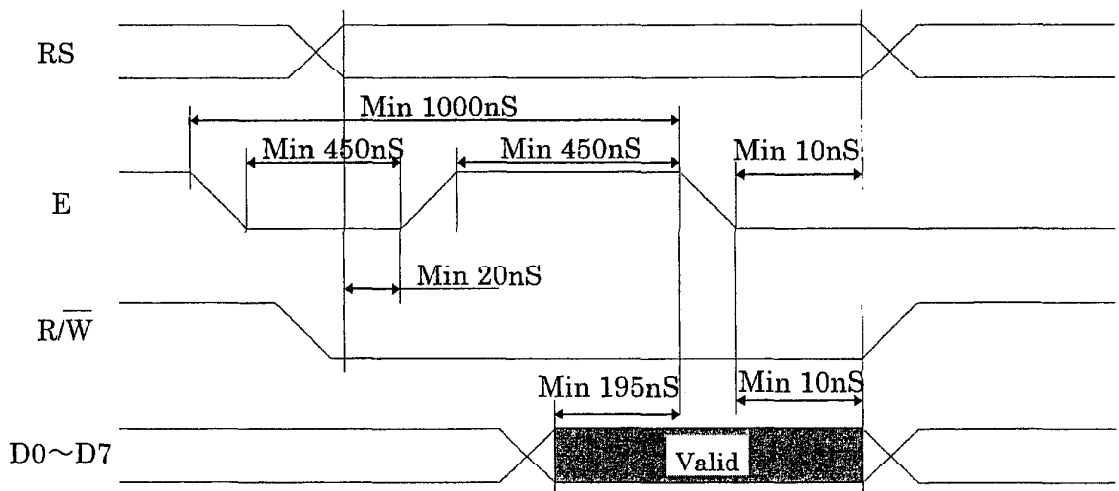
10.1 CPU bus write timing (i80 type)



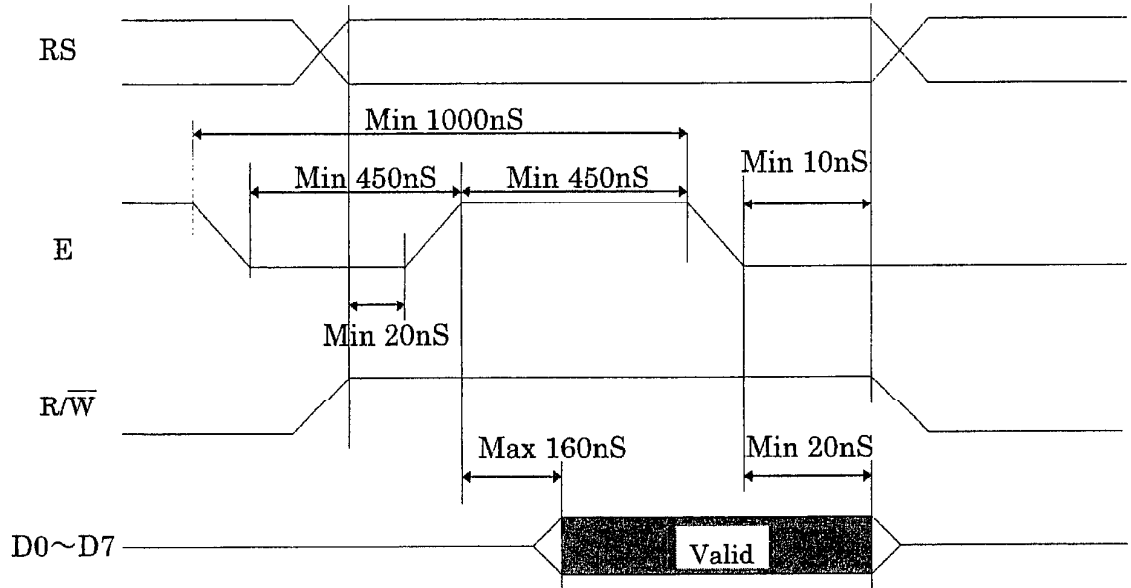
10.2 CPU bus read timing (i80 type)



10.3 CPU bus write timing (M68 type)



10.4 CPU bus read timing (M68 type)



11. Connector Pin assignment

11.1 14pin Connector

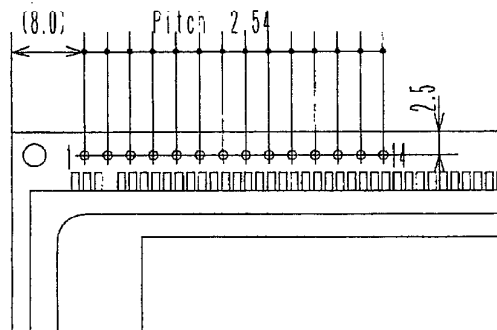
Fourteen(14) of through holes are prepared for power supply and data communications. A connector or pins may be able to soldered to the holes.

No.	Terminal	No.	Terminal
1	GND	8	DB1
2	Vcc	9	DB2
3	※NC	10	DB3
4	RS	11	DB4
5	R/W (\overline{WR})	12	DB5
6	E (\overline{RD})	13	DB6
7	DB0	14	DB7

NC: no connection

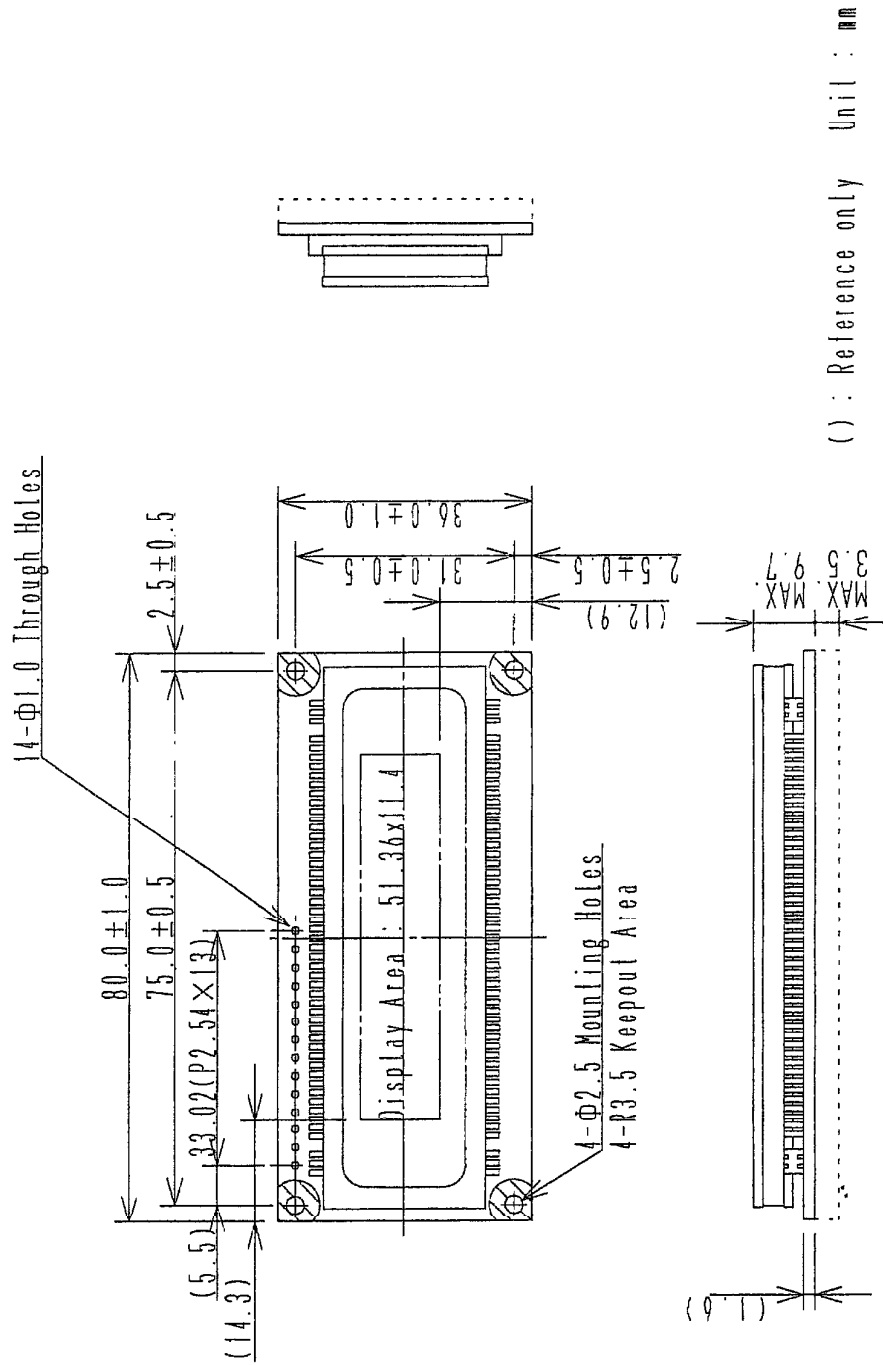
Location and dimensions (Diameter of holes is 1.0 mm.)

※The third through hole is for reset input when No.1 and No.2 of JP1 are short.



UNIT : mm

12. Outline dimension



IMPORTANT PRECAUTIONS

- * All VFD Modules contain MOS LSI. Anti-Static handling procedures are always required. Tools required for assembly, such as soldering irons, must be properly grounded.
- * VF Display consists of Soda-lime glass. Heavy shock more than 100G, thermal shock greater than 10°C / minute, direct hit with hard material to the glass surface may CRACK the glass.
- * Do not PUSH the display strongly. At mounting to the system frame, slight gap between display glass face and front panel is necessary to avoid a contact failure of lead pins of display. Twist or warp mounting will make a glass CRACK around the lead pin of display.
- * Neither DATA CONNECTOR or POWER CONNECTOR should be connected or disconnected while power is applied. As is often the case with most subsystems, caution should be exercised in selectively disconnecting power within a computer based system. The modules receive high logic on strobe lines as random signals on all data ports. Removal of primary power with logic signals applied may damage input circuitry.
- * Stress more than specification listed under the Absolute Maximum Ratings may cause PERMANENT DAMAGE of the modules.
- * +5V volts power line be regulated completely since all control logics depend on this line. DO not apply slow-start power. Provide sufficient output current power source to avoid trouble of RUSH CURRENT at power on. (At least output current of double figure of I_{cc} , listed on the specification of each module, is required.)
- * Data cable length between module and host system is recommended within 300 mm to be free from a miss-operation caused by noise.
- * Do not place the module on the conductive plate just after the power off. Due to big capacitors on the module, more than 1 min. of discharging time is required to avoid the failure caused by shorting of power line.
- * 2 hours pre-running with the test mode operation may help the stability of the brightness of the VFD when power was not applied more than 2 months.
- * Steady repeating of a fixed (static) message displaying, longer than 5 hours in a day may cause the phosphor burn-out problem. An automatic shut down Programming, scrolling message using DC2 mode or 2 hours test mode operation during the idling of the host is recommended.