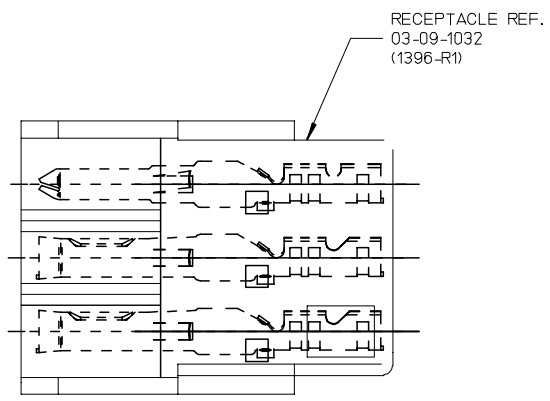
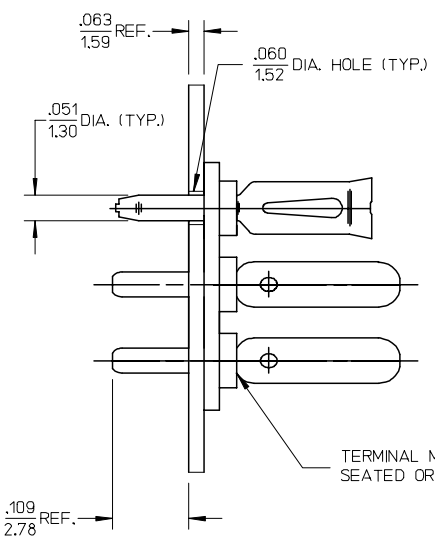


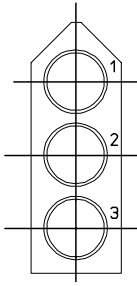
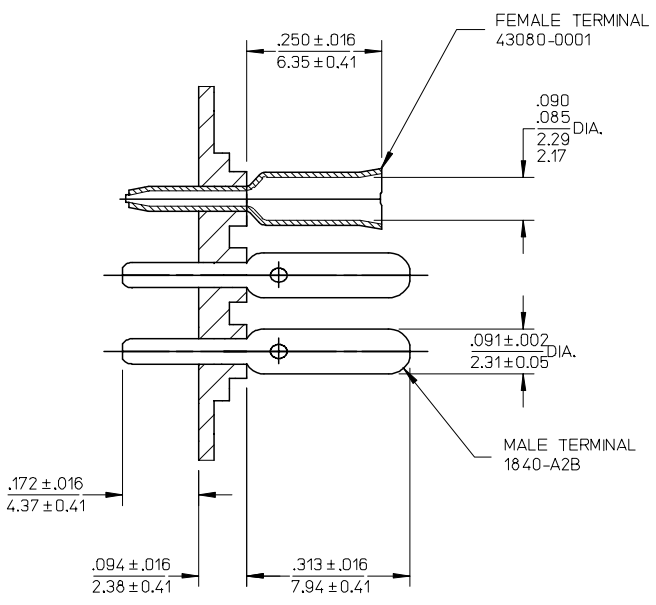
13 12 11 10 9 8 7 6 5 4 3 2 1

J
I
H
G
F
E
D
C
B
A

J
I
H
G
F
E
D
C
B
A



TERMINAL MUST BE FULLY SEATED OR .010/0.25 MAX GAP



- NOTES:
- MATERIAL:
BASE AND RECEPTACLE: NYLON
TERMINALS: MALE - BRASS
FEMALE - BRONZE
 - FINISH:
999 - UNPLATED
102 - (MALE TERMINALS ONLY)
OVERALL TIN: .000200/0.00508 MIN.
OVER COPPER: .000100/0.00254 MIN.
126 - (FEMALE TERMINALS ONLY)
OVERALL

A-1840-3-2 SHOWN

CONVERT TO ME10 EC NO: UCP2006-0237 DRAWN:FSM TH 2005/08/11 CHKD:ADERR 2005/08/11 APPR:FSM TH 2005/08/11 REVISIONS	QUALITY SYMBOLS	GENERAL TOLERANCES (UNLESS SPECIFIED)	DIMENSION STYLE	SCALE	DESIGN UNITS	THIRD ANGLE PROJECTION															
	$\nabla=0$ $\nabla=0$	<table border="1"> <tr><th></th><th>mm</th><th>INCH</th></tr> <tr><td>4 PLACES</td><td>± .005</td><td>± .0005</td></tr> <tr><td>3 PLACES</td><td>± .005</td><td>± .0005</td></tr> <tr><td>2 PLACES</td><td>± 0.13</td><td>± .010</td></tr> <tr><td>1 PLACE</td><td>± 0.25</td><td>± .010</td></tr> </table>		mm	INCH	4 PLACES	± .005	± .0005	3 PLACES	± .005	± .0005	2 PLACES	± 0.13	± .010	1 PLACE	± 0.25	± .010	IN/MM	4:1	INCH	
		mm	INCH																		
	4 PLACES	± .005	± .0005																		
3 PLACES	± .005	± .0005																			
2 PLACES	± 0.13	± .010																			
1 PLACE	± 0.25	± .010																			
		DRAWN BY DATE EWC 1974/04/30 CHECKED BY DATE APPROVED BY DATE	TITLE	CONNECTOR-P.C. BOARD WAFERCONN 3 CIRCUIT																	
		DRAFT WHERE APPLICABLE MUST REMAIN WITHIN DIMENSIONS	MATERIAL NO.	DOCUMENT NO.	SHEET NO.																
			SEE CHART	SDA-1840-3-*	1 OF 1																
			THIS DRAWING CONTAINS INFORMATION THAT IS PROPRIETARY TO MOLEX INCORPORATED AND SHOULD NOT BE USED WITHOUT WRITTEN PERMISSION																		

12 11 10 9 8 7 6 5 4 3 2 1