

128K x 8 LOW POWER CMOS STATIC RAM

OCTOBER 2005

FEATURES

- High-speed access time: 35, 45 ns
- Low active power: 100 mW (typical)
- Low standby power: 20 μ W (typical) CMOS standby
- Output Enable (\overline{OE}) and two Chip Enable ($\overline{CE1}$ and CE2) inputs for ease in applications
- Fully static operation: no clock or refresh required
- TTL compatible inputs and outputs
- Single 5V ($\pm 10\%$) power supply
- Commercial, Industrial, and Automotive temperature ranges available
- Standard Pin Configuration:
 - 32-pin SOP/ 32-pin TSOP (Type 1)
- Lead free available

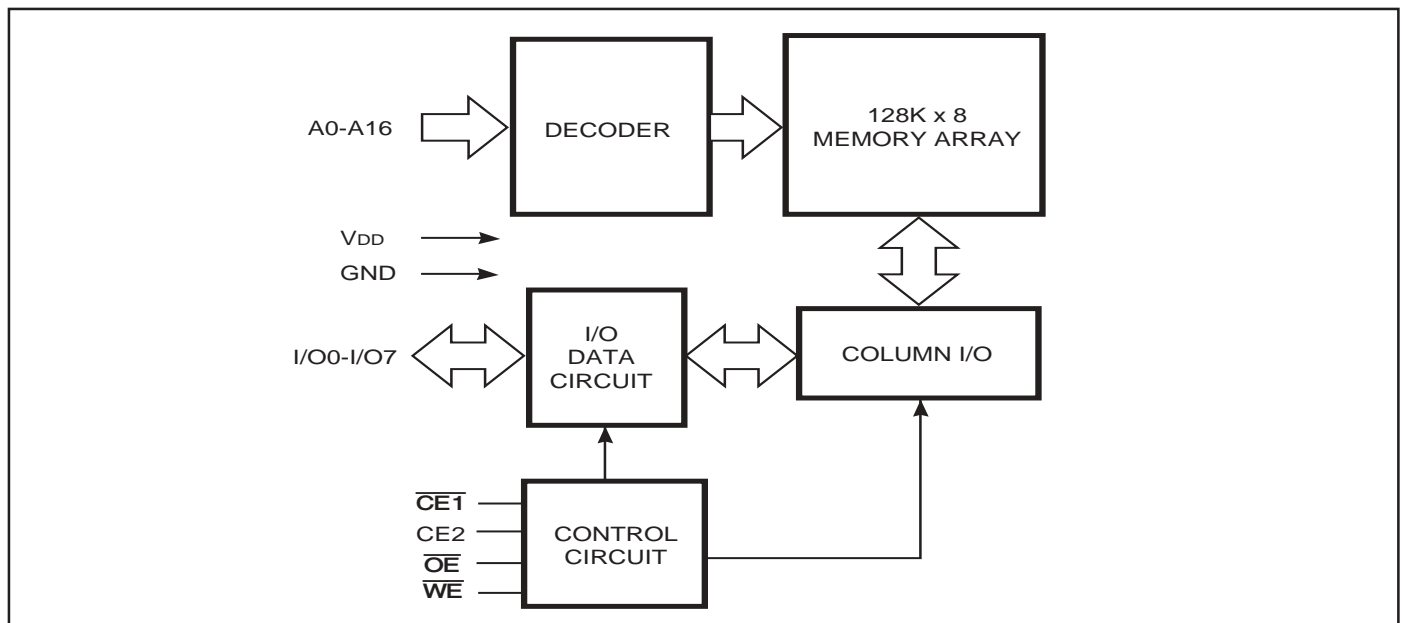
DESCRIPTION

The *ISSI* IS62C1024AL/IS65C1024AL is a low power, 131,072-word by 8-bit CMOS static RAM. It is fabricated using high-performance CMOS technology. This highly reliable process coupled with innovative circuit design techniques, yields higher performance and low power consumption devices.

When $\overline{CE1}$ is HIGH or CE2 is LOW (deselected), the device assumes a standby mode at which the power dissipation can be reduced by using CMOS input levels.

Easy memory expansion is provided by using two Chip Enable inputs, $\overline{CE1}$ and CE2. The active LOW Write Enable (\overline{WE}) controls both writing and reading of the memory.

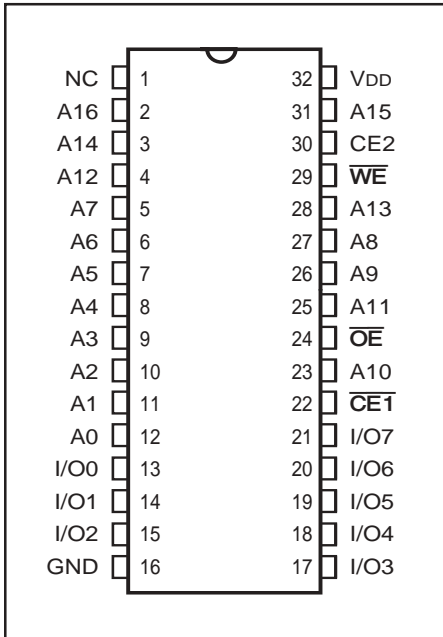
FUNCTIONAL BLOCK DIAGRAM



Copyright © 2005 Integrated Silicon Solution, Inc. All rights reserved. ISSI reserves the right to make changes to this specification and its products at any time without notice. ISSI assumes no liability arising out of the application or use of any information, products or services described herein. Customers are advised to obtain the latest version of this device specification before relying on any published information and before placing orders for products.

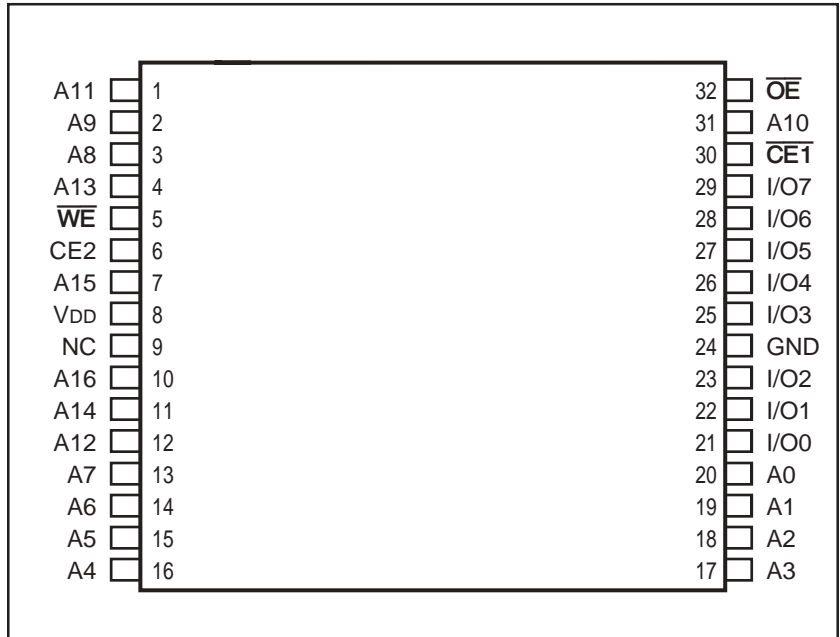
PIN CONFIGURATION

32-Pin SOP



PIN CONFIGURATION

32-Pin TSOP (Type 1)



PIN DESCRIPTIONS

A0-A16	Address Inputs
$\overline{CE1}$	Chip Enable 1 Input
CE2	Chip Enable 2 Input
\overline{OE}	Output Enable Input
\overline{WE}	Write Enable Input
I/O0-I/O7	Input/Output
V _{DD}	Power
GND	Ground

OPERATING RANGE (IS62C1024AL)

Range	Ambient Temperature	V _{DD}
Commercial	0°C to +70°C	5V ± 10%
Industrial	-40°C to +85°C	5V ± 10%

OPERATING RANGE (IS65C1024AL)

Range	Ambient Temperature	V _{DD}
Automotive	-40°C to +125°C	5V ± 10%

TRUTH TABLE

Mode	\overline{WE}	$\overline{CE1}$	CE2	\overline{OE}	I/O Operation	V _{DD} Current
Not Selected	X	H	X	X	High-Z	I _{SB1} , I _{SB2}
(Power-down)	X	X	L	X	High-Z	I _{SB1} , I _{SB2}
Output Disabled	H	L	H	H	High-Z	I _{CC}
Read	H	L	H	L	Dout	I _{CC}
Write	L	L	H	X	Din	I _{CC}

ABSOLUTE MAXIMUM RATINGS⁽¹⁾

Symbol	Parameter	Value	Unit
V _{TERM}	Terminal Voltage with Respect to GND	-0.5 to +7.0	V
T _{STG}	Storage Temperature	-65 to +125	°C
P _T	Power Dissipation	1.0	W
I _{OUT}	DC Output Current (LOW)	20	mA

Notes:

1. Stress greater than those listed under ABSOLUTE MAXIMUM RATINGS may cause permanent damage to the device. This is a stress rating only and functional operation of the device at these or any other conditions above those indicated in the operational sections of this specification is not implied. Exposure to absolute maximum rating conditions for extended periods may affect reliability.

CAPACITANCE^(1,2)

Symbol	Parameter	Conditions	Max.	Unit
C _{IN}	Input Capacitance	V _{IN} = 0V	6	pF
C _{OUT}	Output Capacitance	V _{OUT} = 0V	8	pF

Notes:

1. Tested initially and after any design or process changes that may affect these parameters.
2. Test conditions: T_A = 25°C, f = 1 MHz, V_{DD} = 5.0V.

DC ELECTRICAL CHARACTERISTICS (Over Operating Range)

Symbol	Parameter	Test Conditions	Options	Min.	Max.	Unit
V _{OH}	Output HIGH Voltage	V _{DD} = Min., I _{OH} = -1.0 mA		2.4	—	V
V _{OL}	Output LOW Voltage	V _{DD} = Min., I _{OL} = 2.1 mA		—	0.4	V
V _{IH}	Input HIGH Voltage			2.2	V _{DD} + 0.5	V
V _{IL}	Input LOW Voltage ⁽¹⁾			-0.5	0.8	V
I _{LI}	Input Leakage	GND ≤ V _{IN} ≤ V _{DD}	Com. Ind. Auto.	-1 -2 -5	1 2 5	μA
I _{LO}	Output Leakage	GND ≤ V _{OUT} ≤ V _{DD} CE1 = V _{IH} , or CE2 = V _{IL} , or OE = V _{IH} or WE = V _{IL}	Com. Ind. Auto.	-1 -2 -5	1 2 5	μA

Note:

1. V_{IL} (min.) = -0.3V DC; V_{IL} (min.) = -2.0V AC (pulse width -2.0 ns). Not 100% tested.
V_{IH} (max.) = V_{DD} + 0.3V DC; V_{IH} (max.) = V_{DD} + 2.0V AC (pulse width -2.0 ns). Not 100% tested.

IS62C1024AL/IS65C1024AL

POWER SUPPLY CHARACTERISTICS⁽¹⁾ (Over Operating Range)

Symbol	Parameter	Test Conditions		-35 ns		-45 ns		Unit
				Min.	Max.	Min.	Max.	
I _{CC}	Average operating Current	$\overline{CE1} = V_{IL}$, $CE2 = V_{IH}$ $V_{IN} = V_{IH}$ or V_{IL} , $I_{I/O} = 0$ mA	Com.	—	25			mA
			Ind.	—	30			
			Auto.			—	35	
I _{CC1}	V _{DD} Dynamic Operating Supply Current	$V_{DD} = \text{Max.}$, $\overline{CE1} = V_{IL}$ $I_{OUT} = 0$ mA, $f = f_{MAX}$ $V_{IN} = V_{IH}$ or V_{IL} $CE2 = V_{IH}$	Com.	—	30			mA
			Ind.	—	35			
			Auto.			—	40	
			typ. ⁽²⁾	—	20			
I _{SB1}	TTL Standby Current (TTL Inputs)	$V_{DD} = \text{Max.}$, $V_{IN} = V_{IH}$ or V_{IL} , $\overline{CE1} \geq V_{IH}$, or $CE2 \leq V_{IL}$, $f = 0$	Com.	—	1			mA
			Ind.	—	1.5			
			Auto.			—	2	
I _{SB2}	CMOS Standby Current (CMOS Inputs)	$V_{DD} = \text{Max.}$, $\overline{CE1} \geq V_{DD} - 0.2V$, or $CE2 \leq 0.2V$, $V_{IN} \geq V_{DD} - 0.2V$, or $V_{IN} \leq V_{SS} + 0.2V$, $f = 0$	Com.	—	5			μ A
			Ind.	—	10			
			Auto.			—	35	
			typ. ⁽²⁾	—	4			

Note:

- At $f = f_{MAX}$, address and data inputs are cycling at the maximum frequency, $f = 0$ means no input lines change.
- Typical Values are measured at $V_{DD} = 5V$, $T_A = 25^\circ C$ and not 100% tested.

READ CYCLE SWITCHING CHARACTERISTICS⁽¹⁾ (Over Operating Range)

Symbol	Parameter	-35 ns		-45 ns		Unit
		Min.	Max.	Min.	Max.	
t _{RC}	Read Cycle Time	35	—	45	—	ns
t _{AA}	Address Access Time	—	35	—	45	ns
t _{OHA}	Output Hold Time	3	—	3	—	ns
t _{ACE1}	$\overline{CE1}$ Access Time	—	35	—	45	ns
t _{ACE2}	CE2 Access Time	—	35	—	45	ns
t _{DOE}	\overline{OE} Access Time	—	10	—	20	ns
t _{LZOE} ⁽²⁾	\overline{OE} to Low-Z Output	3	—	5	—	ns
t _{HZOE} ⁽²⁾	\overline{OE} to High-Z Output	0	10	0	15	ns
t _{LZCE1} ⁽²⁾	$\overline{CE1}$ to Low-Z Output	3	—	5	—	ns
t _{LZCE2} ⁽²⁾	CE2 to Low-Z Output	3	—	5	—	ns
t _{HZCE} ⁽²⁾	$\overline{CE1}$ or CE2 to High-Z Output	0	10	0	15	ns

Notes:

- Test conditions assume signal transition times of 5 ns or less, timing reference levels of 1.5V, input pulse levels of 0.6 to 2.4V and output loading specified in Figure 1a.
- Tested with the load in Figure 1b. Transition is measured ± 500 mV from steady-state voltage. Not 100% tested.

AC TEST CONDITIONS

Parameter	Unit
Input Pulse Level	0.6V to 2.4V
Input Rise and Fall Times	5 ns
Input and Output Timing and Reference Level	1.5V
Output Load	See Figures 1a and 1b

AC TEST LOADS

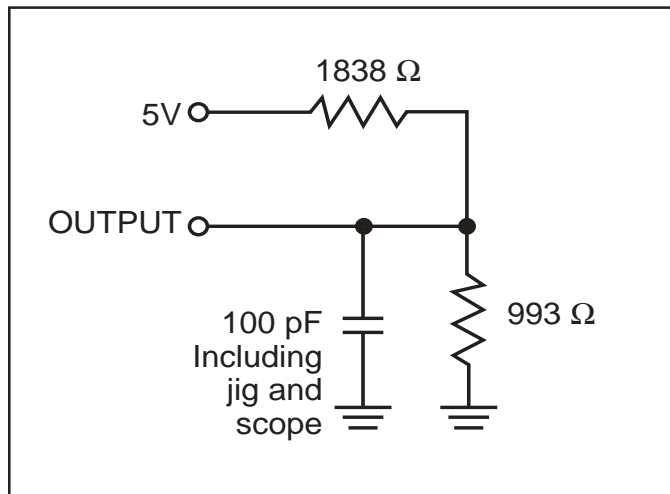


Figure 1a.

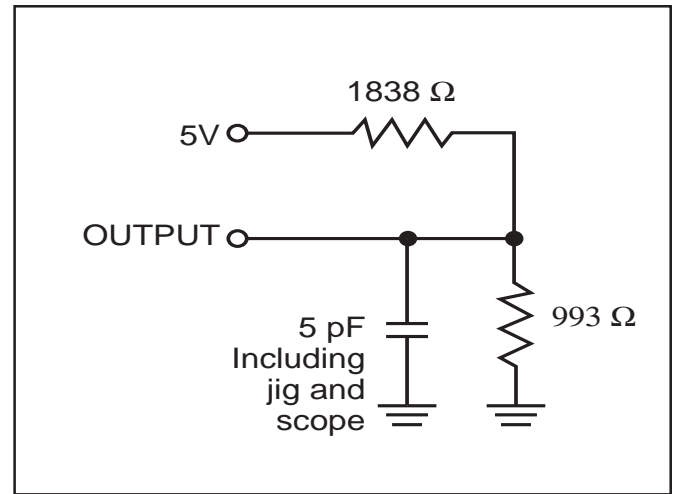
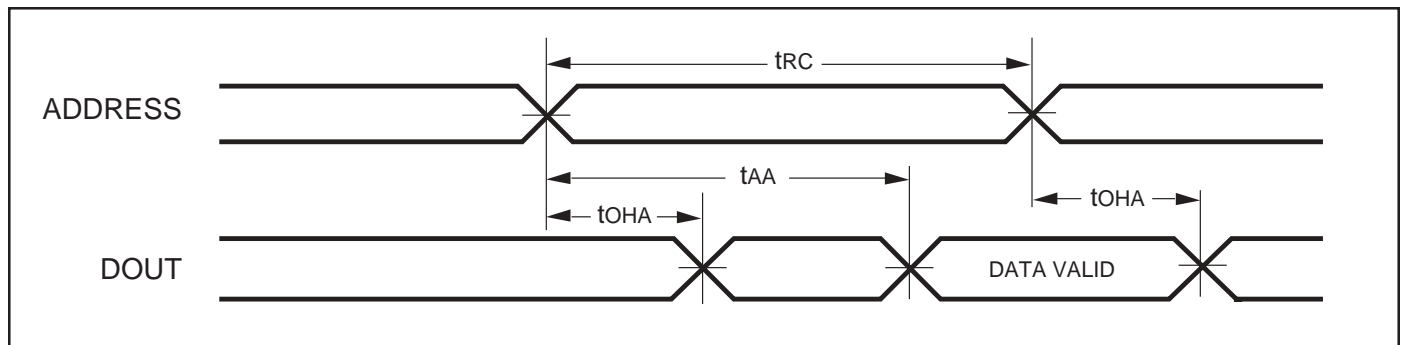


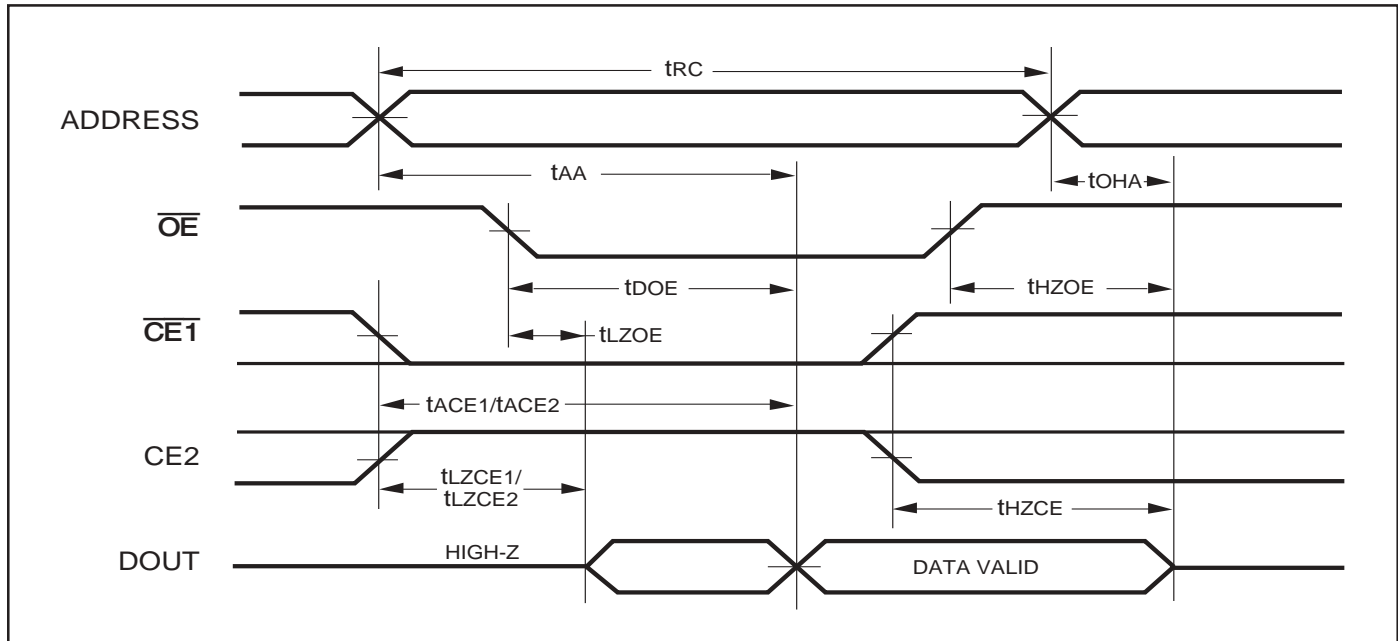
Figure 1b.

AC WAVEFORMS

READ CYCLE NO. 1^(1,2)



READ CYCLE NO. 2^(1,3)



Notes:

1. \overline{WE} is HIGH for a Read Cycle.
2. The device is continuously selected. \overline{OE} , $\overline{CE1} = V_{IL}$, $CE2 = V_{IH}$.
3. Address is valid prior to or coincident with $\overline{CE1}$ LOW and CE2 HIGH transitions.

WRITE CYCLE SWITCHING CHARACTERISTICS^(1,3) (Over Operating Range, Standard and Low Power)

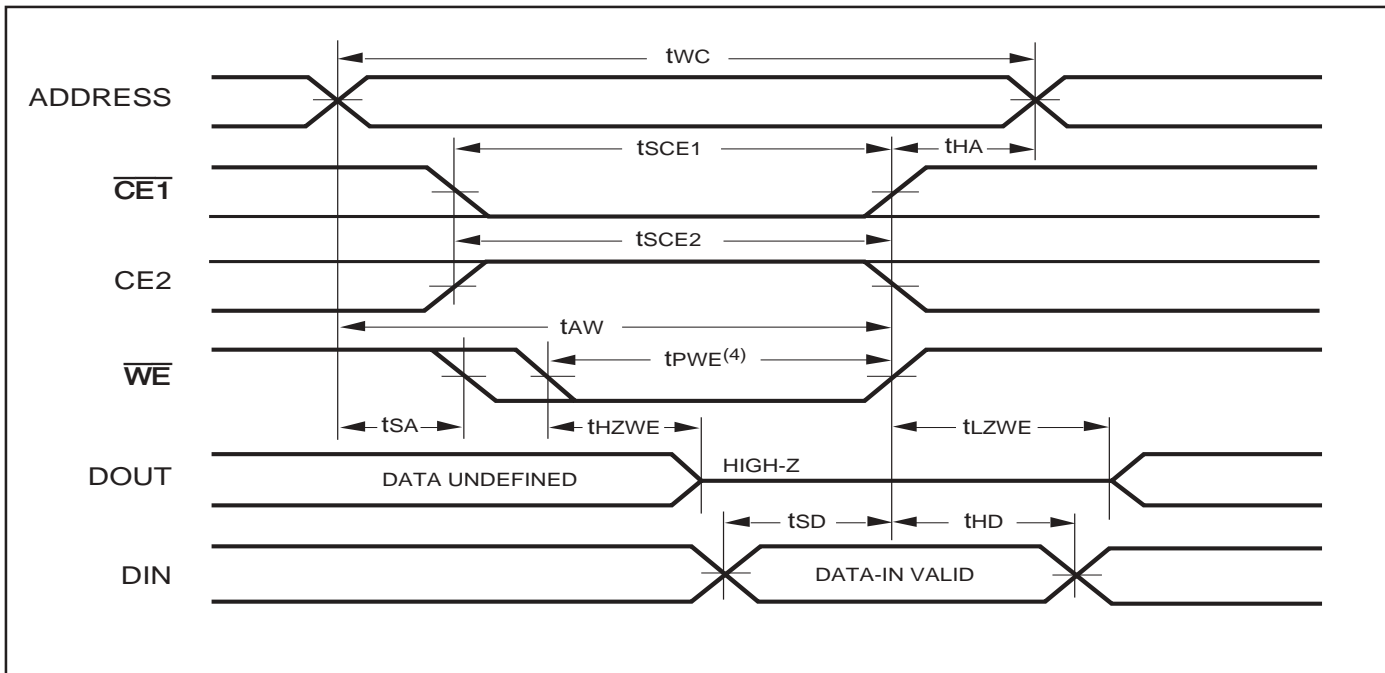
Symbol	Parameter	-35 ns		-45 ns		Unit
		Min.	Max.	Min.	Max.	
t_{WC}	Write Cycle Time	35	—	45	—	ns
t_{SCE1}	$\overline{CE1}$ to Write End	25	—	35	—	ns
t_{SCE2}	CE2 to Write End	25	—	35	—	ns
t_{AW}	Address Setup Time to Write End	25	—	35	—	ns
t_{HA}	Address Hold from Write End	0	—	0	—	ns
t_{SA}	Address Setup Time	0	—	0	—	ns
$t_{PWE}^{(4)}$	\overline{WE} Pulse Width	25	—	35	—	ns
t_{SD}	Data Setup to Write End	20	—	25	—	ns
t_{HD}	Data Hold from Write End	0	—	0	—	ns
$t_{HZWE}^{(2)}$	\overline{WE} LOW to High-Z Output	—	10	—	15	ns
$t_{LZWE}^{(2)}$	\overline{WE} HIGH to Low-Z Output	3	—	5	—	ns

Notes:

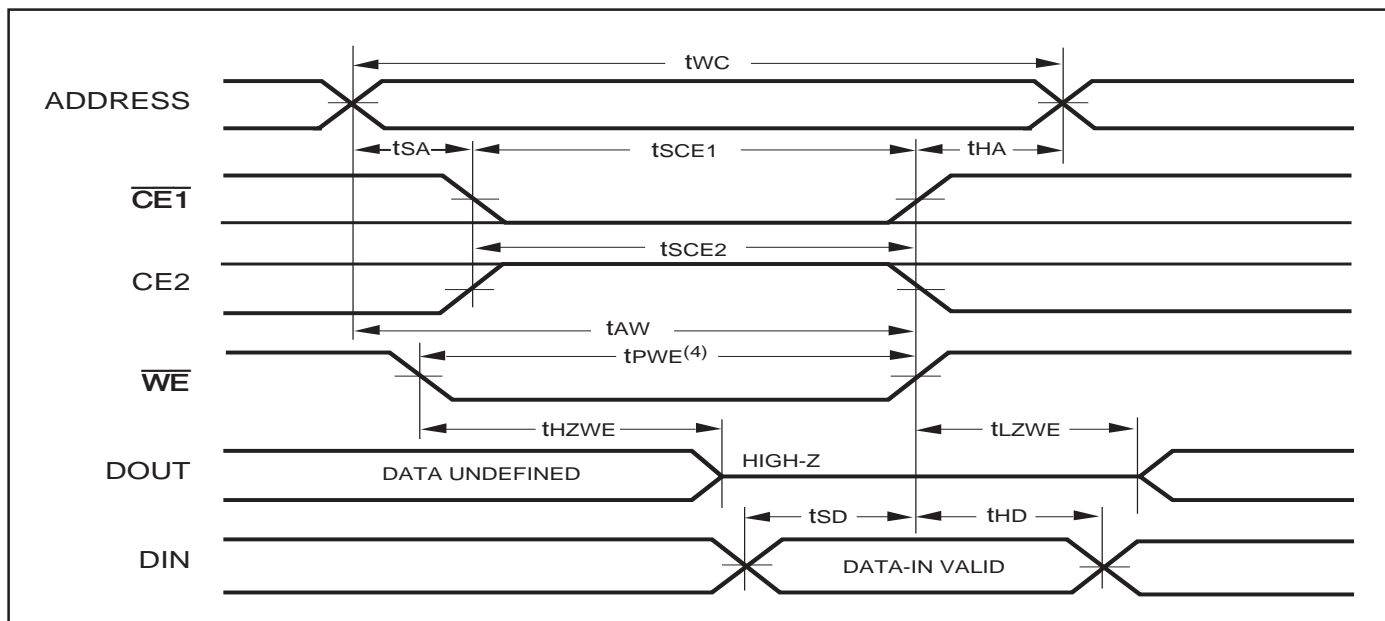
1. Test conditions assume signal transition times of 5 ns or less, timing reference levels of 1.5V, input pulse levels of 0.6 to 2.4V and output loading specified in Figure 1a.
2. Tested with the load in Figure 1b. Transition is measured ± 500 mV from steady-state voltage. Not 100% tested.
3. The internal write time is defined by the overlap of $\overline{CE1}$ LOW, CE2 HIGH and \overline{WE} LOW. All signals must be in valid states to initiate a Write, but any one can go inactive to terminate the Write. The Data Input Setup and Hold timing are referenced to the rising or falling edge of the signal that terminates the Write.
4. Tested with \overline{OE} HIGH.

AC WAVEFORMS

WRITE CYCLE NO. 1 (\overline{WE} Controlled)^(1,2)



WRITE CYCLE NO. 2 ($\overline{CE1}$, CE2 Controlled)^(1,2)



Notes:

1. The internal write time is defined by the overlap of $\overline{CE1}$ LOW, CE2 HIGH and \overline{WE} LOW. All signals must be in valid states to initiate a Write, but any one can go inactive to terminate the Write. The Data Input Setup and Hold timing are referenced to the rising or falling edge of the signal that terminates the Write.
2. I/O will assume the High-Z state if $\overline{OE} = V_{IH}$.

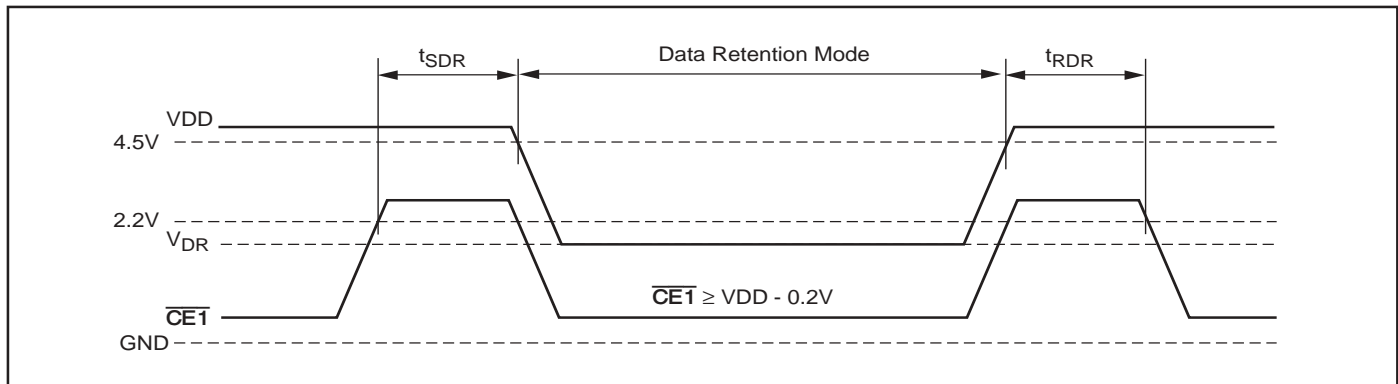
DATA RETENTION SWITCHING CHARACTERISTICS

Symbol	Parameter	Test Condition	Min.	Typ.	Max.	Unit
V_{DR}	V_{DD} for Data Retention	See Data Retention Waveform	2.0		5.5	V
I_{DR}	Data Retention Current	$V_{DD}=2.0V, \overline{CE1} \geq V_{DD}-0.2V$ or $CE2 \leq 0.2V$ $V_{IN} \geq V_{DD}-0.2V$, or $V_{IN} \leq V_{SS}+0.2V$	—	—	5	μA
					10	
					35	
t_{SDR}	Data Retention Setup Time	See Data Retention Waveform	0		—	ns
t_{RDR}	Recovery Time	See Data Retention Waveform	t_{RC}		—	ns

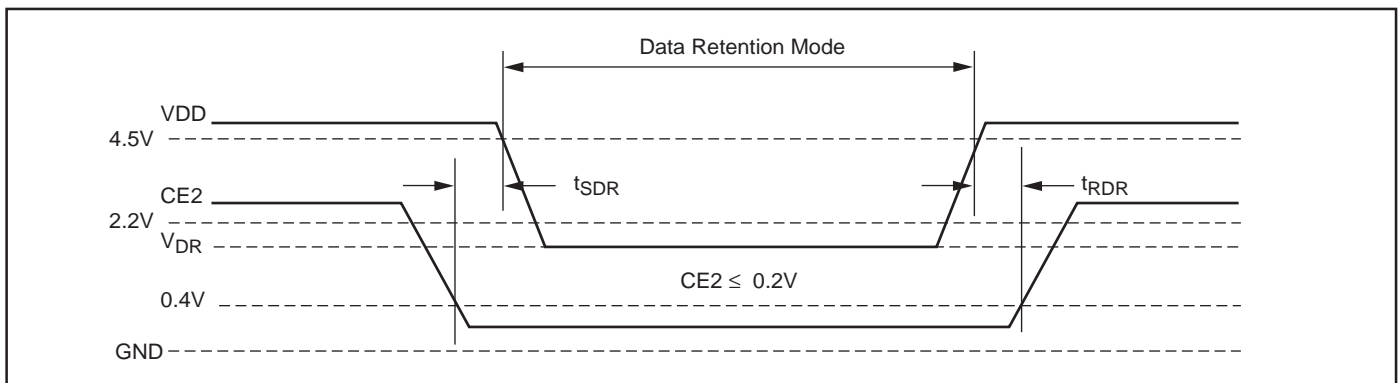
Note:

1. Typical Values are measured at $V_{DD}=5V, T_A=25^\circ C$ and not 100% tested.

DATA RETENTION WAVEFORM ($\overline{CE1}$ Controlled)



DATA RETENTION WAVEFORM (CE2 Controlled)



ORDERING INFORMATION: IS62C1024AL
Commercial Range: 0°C to +70°C

Speed (ns)	Order Part No.	Package
35	IS62C1024AL-35Q	Plastic SOP
35	IS62C1024AL-35T	TSOP, Type 1

Industrial Range: -40°C to +85°C

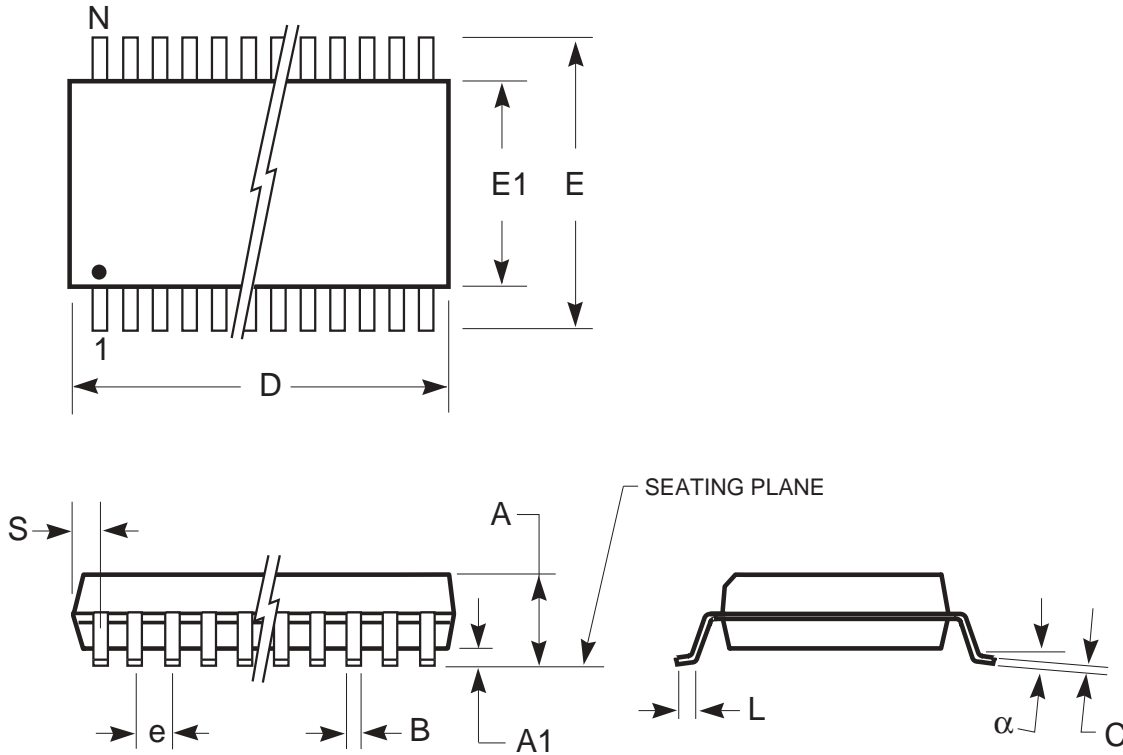
Speed (ns)	Order Part No.	Package
35	IS62C1024AL-35QI	Plastic SOP
35	IS62C1024AL-35QLI	Plastic SOP, Lead-free
35	IS62C1024AL-35TI	TSOP, Type 1
35	IS62C1024AL-35TLI	TSOP, Type 1, Lead-free

ORDERING INFORMATION: IS65C1024AL
Automotive Range: -40°C to +125°C

Speed (ns)	Order Part No.	Package
45	IS65C1024AL-45QA3	Plastic SOP
45	IS65C1024AL-45TA3	TSOP, Type 1

PACKAGING INFORMATION

450-mil Plastic SOP
 Package Code: Q (32-pin)



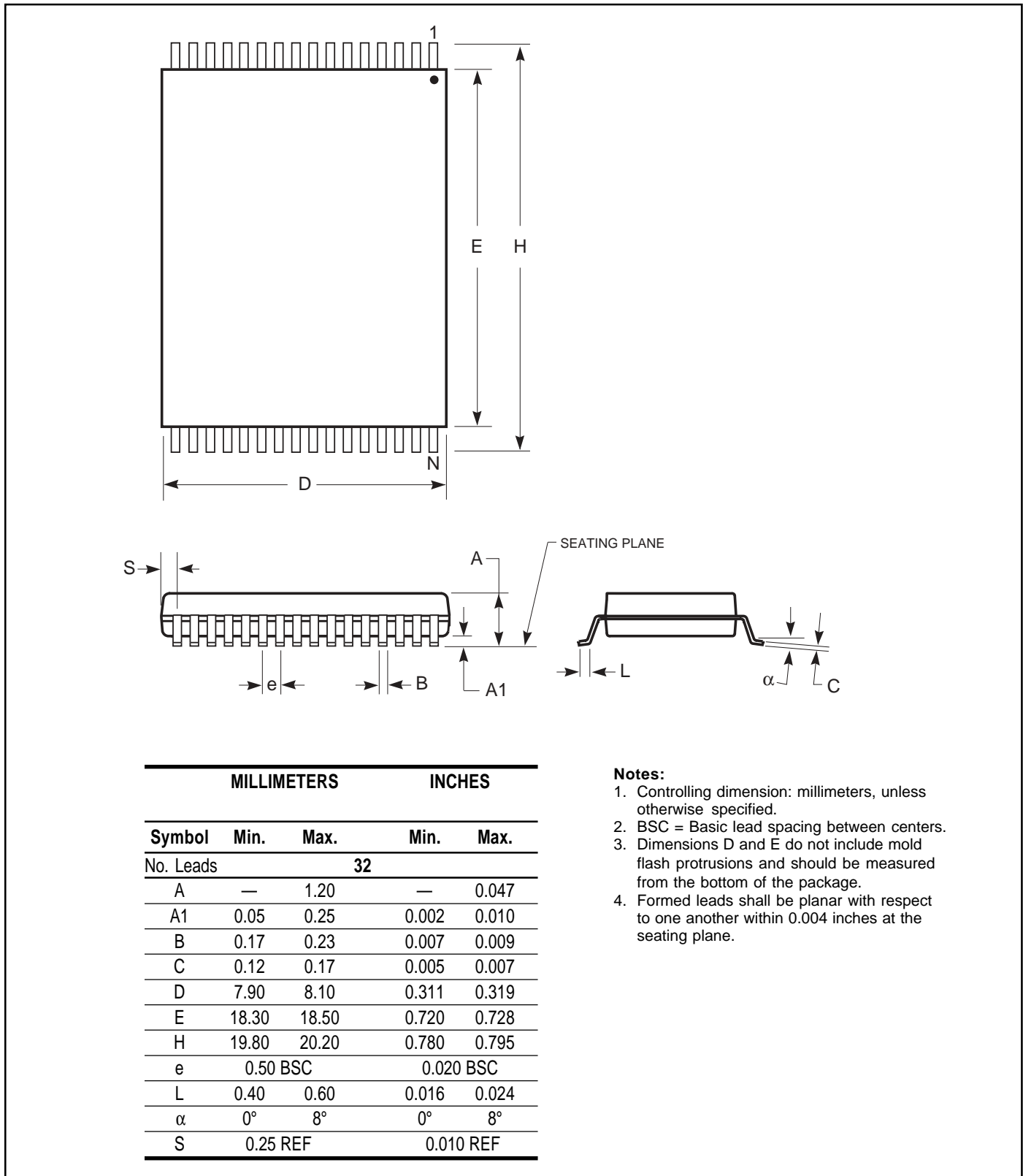
	MILLIMETERS		INCHES	
Symbol	Min.	Max.	Min.	Max.
No. Leads	32			
A	—	3.00	—	0.118
A1	0.10	—	0.004	—
B	0.36	0.51	0.014	0.020
C	0.15	0.30	0.006	0.012
D	20.14	20.75	0.793	0.817
E	13.87	14.38	0.546	0.566
E1	11.18	11.43	0.440	0.450
e	1.27 BSC		0.050 BSC	
L	0.58	0.99	0.023	0.039
α	0°	10°	0°	10°
S	—	0.86	—	0.034

Notes:

1. Controlling dimension: inches, unless otherwise specified.
2. BSC = Basic lead spacing between centers.
3. Dimensions D and E1 do not include mold flash protrusions and should be measured from the bottom of the package.
4. Formed leads shall be planar with respect to one another within 0.004 inches at the seating plane.

PACKAGING INFORMATION

Plastic TSOP-Type I
 Package Code: T (32-pin)



Copyright © 2003 Integrated Silicon Solution, Inc. All rights reserved. ISSI reserves the right to make changes to this specification and its products at any time without notice. ISSI assumes no liability arising out of the application or use of any information, products or services described herein. Customers are advised to obtain the latest version of this device specification before relying on any published information and before placing orders for products.