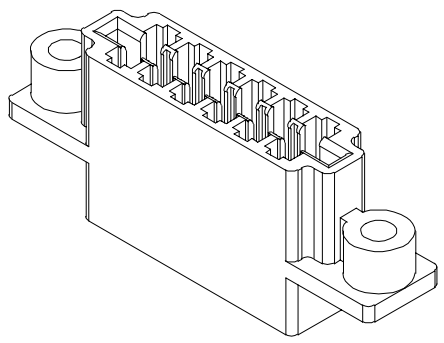
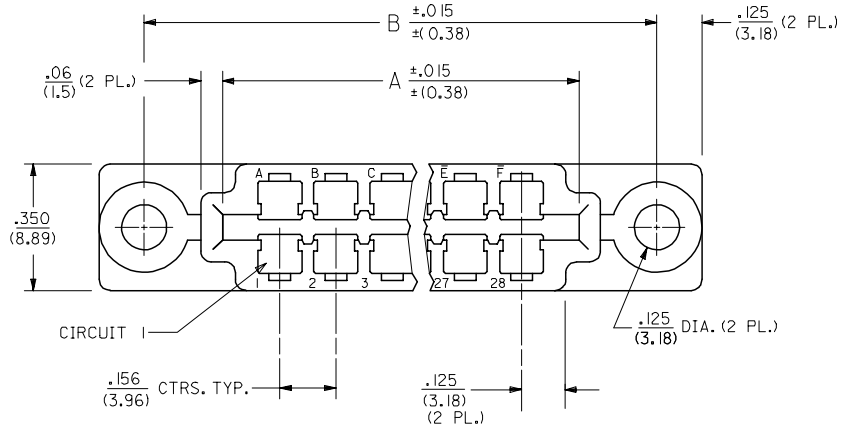


A	B	C	D	E	F	H	J	K	L	M	N	P	R	S	T	U	V	W	X	Y	Z	Ā	B̄	C̄	D̄	Ē	F̄
1	2	3	4	5	6	7	8	9	10	11	12	13	14	15	16	17	18	19	20	21	22	23	24	25	26	27	28

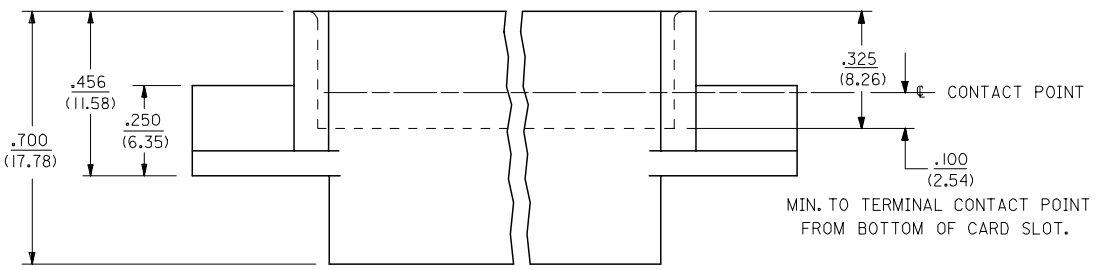
CIRCUIT IDENTIFICATION ON TOP SURFACE

CKTS	DIM. "A"	DIM. "B" (W/FLANGES)	DIM C
6	1.105 (28.07)	1.531 (38.89)	1.085 (27.56)
8	1.415 (35.94)	1.767 (44.88)	1.395 (35.43)
10	1.729 (43.92)	2.156 (54.76)	1.709 (43.41)
12	2.041 (51.84)	2.465 (62.61)	2.021 (51.33)
15	2.510 (63.75)	2.938 (74.63)	2.490 (63.25)
18	2.955 (75.06)	3.406 (86.51)	2.935 (74.55)
22	3.610 (91.69)	4.039 (102.59)	3.590 (91.19)
24	3.922 (99.62)	4.350 (110.49)	3.902 (99.11)
25	4.078 (103.58)	4.503 (114.38)	4.058 (103.07)
28	4.549 (115.54)	4.969 (126.21)	4.529 (115.04)

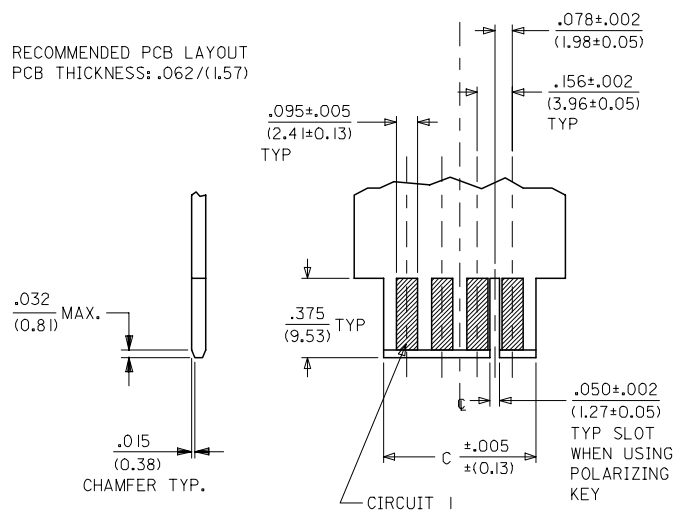


LEGEND
4338-***

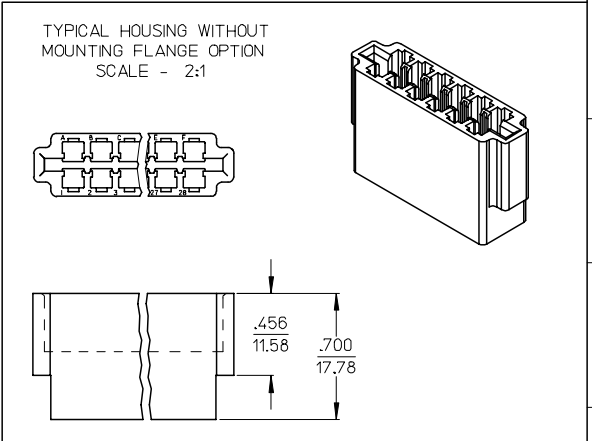
CIRCUIT SIZE
I=W.O./FLANGES
BLANK=W./FLANGES



RECOMMENDED PCB LAYOUT
PCB THICKNESS: .062/(1.57)



- NOTES:
1. MATERIAL: GLASS FILLED POLYESTER, UL94V-0, MOLDED BLACK.
 2. FINISH: N/A
 3. THIS PRODUCT CONFORMS TO PRODUCT SPECIFICATION PS-09-50.
 4. PARTS ARE BULK PACKAGED.
 5. THIS HOUSING ACCEPTS THE FOLLOWING TERMINALS:
CRIMP TERMINAL NUMBER: 4366 AND 4573
SOLDER LUG TERMINAL NUMBER: 4574



ADD VIEWS EC NO: UCP2007-0246 2006/08/02 DRAWN/ADDER CHFKD:LS:HM DT 2006/08/03 APPR:FSM TH 2006/08/04	QUALITY SYMBOLS ▽=0 ▽=0	GENERAL TOLERANCES (UNLESS SPECIFIED) <table border="1"> <tr> <th></th> <th>mm</th> <th>INCH</th> </tr> <tr> <td>4 PLACES</td> <td>± .---</td> <td>± .---</td> </tr> <tr> <td>3 PLACES</td> <td>± .---</td> <td>± .010</td> </tr> <tr> <td>2 PLACES</td> <td>± 0.25</td> <td>± .014</td> </tr> <tr> <td>1 PLACE</td> <td>± 0.35</td> <td>± .---</td> </tr> </table>			mm	INCH	4 PLACES	± .---	± .---	3 PLACES	± .---	± .010	2 PLACES	± 0.25	± .014	1 PLACE	± 0.35	± .---	DIMENSION STYLE IN/MM	SCALE 4:1	DESIGN UNITS INCH	THIRD ANGLE PROJECTION
			mm	INCH																		
4 PLACES	± .---	± .---																				
3 PLACES	± .---	± .010																				
2 PLACES	± 0.25	± .014																				
1 PLACE	± 0.35	± .---																				
MATERIAL NO. SEE CHART	DRAWN BY ROBERTS	DATE 1991/09/09	TITLE HOUSING, DOUBLE ROW CONNECTOR	MOLEX INCORPORATED	SHEET NO. 1 OF 2	THIS DRAWING CONTAINS INFORMATION THAT IS PROPRIETARY TO MOLEX INCORPORATED AND SHOULD NOT BE USED WITHOUT WRITTEN PERMISSION																

