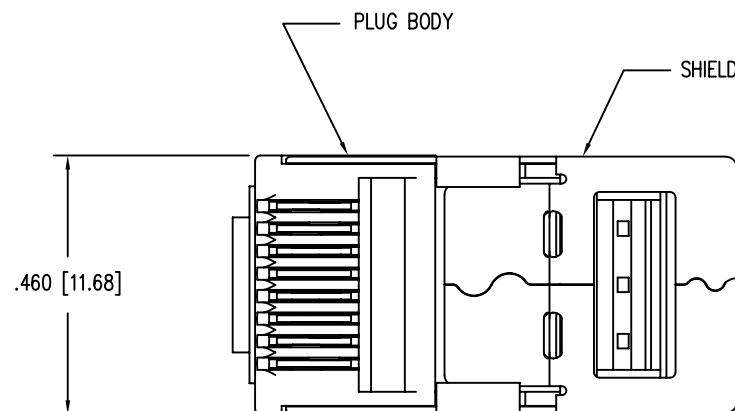
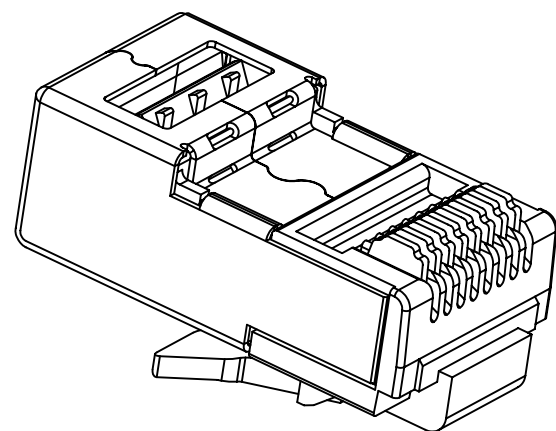


2

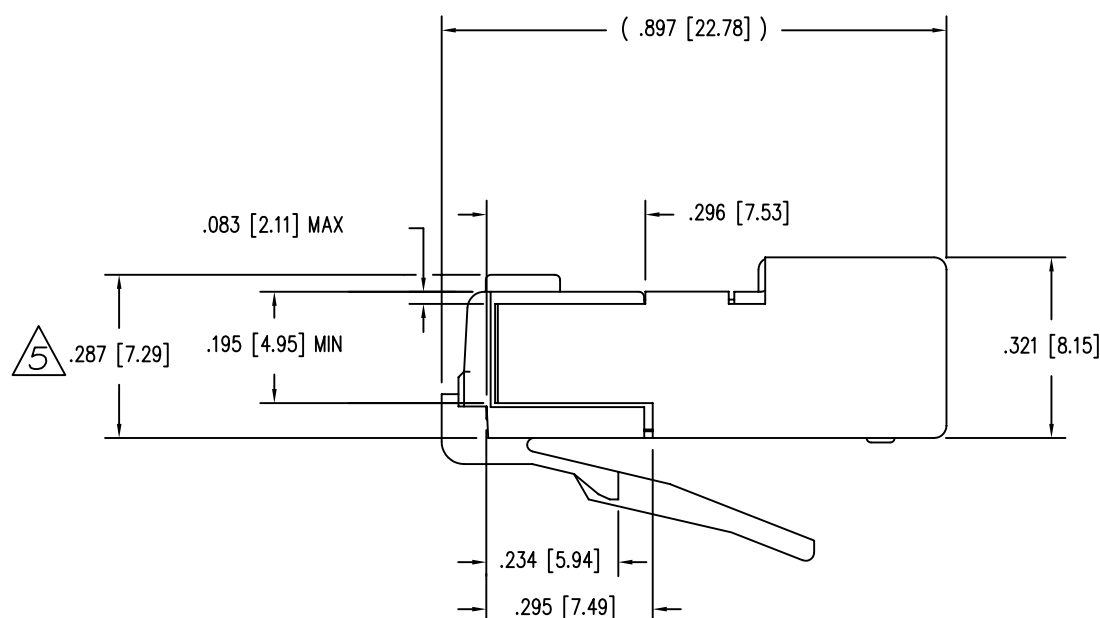
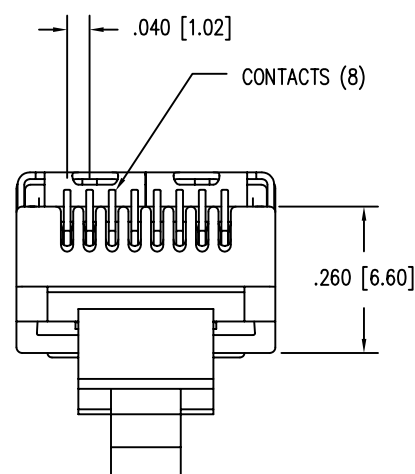
1

DATE	REV	ECN	APP'D. BY
4-2-04	A0	-	-
10-31-05	A1	7362	TRM



B

B



NOTES:

- CONNECTOR MATERIALS:
FRONT HOUSING PLASTIC : CLEAR POLYCARBONATE, UL 94-V0
PLUG SHIELD : TIN PLATED BRASS
CONTACTS : COPPER ALLOY SELECTIVE GOLD PLATED
- CONTACTS TERMINATE SOLID OR STRANDED CONDUCTORS BETWEEN .037 [0.94] TO .042 [1.07] OUTSIDE DIAMETER OF INSULATION.
- FOR PRODUCT SPECIFICATION SEE PR021-01.
- TOLERANCE COMPLY WITH F.C.C. DIMENSION REQUIREMENTS.

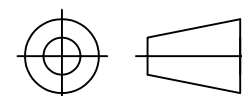
5 TERMINATED PLUG HEIGHT: .237 [6.02] ±.005 [0.13]

BAG OF 25	50 MICRO-INCHES [1.27um]	SS-37200-032
BULK	50 MICRO-INCHES [1.27um]	SS-37200-028
PACKAGE	CONTACT PLATING IN MATING AREA	PART NUMBER

A

A

THIRD ANGLE PROJECTION



DO NOT SCALE DRAWING
DRAWING IS SUBJECT TO
CHANGE WITHOUT NOTICE

DIMENSIONS: INCHES [METRIC]

UNLESS OTHERWISE SPECIFIED
TOLERANCES ARE ±.005 [0.13]
ANGLES ARE ± 1°

SHEET NO. 1 OF 1



Bel Stewart Connector

11118 Susquehanna Trail South
Glen Rock, PA 17327-9199
(717) 235-7512 Fax: (717) 235-7954 <http://www.stewartconnector.com>

TITLE: MODULAR PLUG SHIELDED

THIS DRAWING AND THE SUBJECT MATTER SHOWN THEREON ARE CONFIDENTIAL AND THE PROPRIETARY PROPERTY OF BEL STEWART CONNECTOR AND SHALL NOT BE REPRODUCED, COPIED, OR USED IN ANY MANNER WITHOUT PRIOR WRITTEN CONSENT OF BEL STEWART CONNECTOR. THE SUBJECT MATTER MAY BE PATENTED OR A PATENT MAY BE PENDING.

DRN BY: JMB DATE 4-2-04

APPD BY: RGC DATE 4-16-04

DWG NO. CT370055 REV. A1

REV. 7/3/03

2

1

AutoCAD