

STARDRIVE 1,3&5 WATT LED DRIVERS

Stardrive Series 1 Watt issue 2

Luxeon Led Driver

Introduction

Need to move on from conventional lighting, get rid of high voltage (Dangerous and Expensive) lighting Solutions, which may only have a lifetime of 1-2000 hrs. Think LED's, which offer a Safe low/ voltage and cost solution, with a long service life of in excess of 50.000 hrs.

Product Overview

Sumatec's Stardrive Series modules are designed to drive Lumileds' R Luxeon R Leds from a 24 volt AC power source. Intended of applications where low voltage, quality, reliability, efficiency and service life are critical factors. Typical application include:-

- 1) Back lighting
- 2) Interior and exterior lighting
- 3) Emergency lighting
- 4) Architectural lighting
- 5) Signage and Display's
- 6) Water feature/Swimming Pool Illumination
- 7) Marine
- 8) Signalling/Specialist lighting
- 9) Walkways & Railings
- 10) Any application where lighting is used.

Modules are available for driving 8 Led's in series, at a maximum of 350 mA, and a module which is capable of driving 16 Led's in series/parallel at a maximum of 700 mA, Including Full Power & Dimming via (Potentiometer control, or 0-10vdc & 4-20ma Inverted/Non-Inverted)The units for Dimming are Suffixed with either Vdc, ImA or Pot.

Full Technical Data Sheet

Features

- A) Luxeon R compliant drivers
- B) Latest SMT Technology
- C) Sealed against Moisture
- D) 90% Efficiency
- E) Thermal & Short Circuit Protected
- F) Constant Current
- G) Long Service Life (50,000 Hour +)

Electrical Specifications

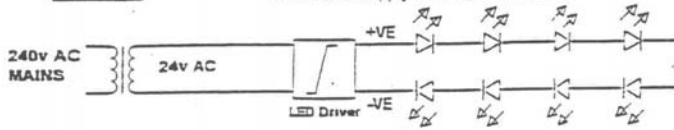
Input Voltage	24 v AC or 12 to 36 v DC	Std	Dimming
	Dependent on number of led's	50mm(L) x	60mm(L)x
Input Current	1A Maximum	35mm(W) x	35mm(W)x
Output Current	350/700 mA Max	20mm(H).	20mm(H).
Current Accuracy	+/- 2%		
Current Set	- 7% to Extend Led Life		
Isolation	Achieved with Isolated Secondary Windings on Transformer.		

Dimensions

Connection Details

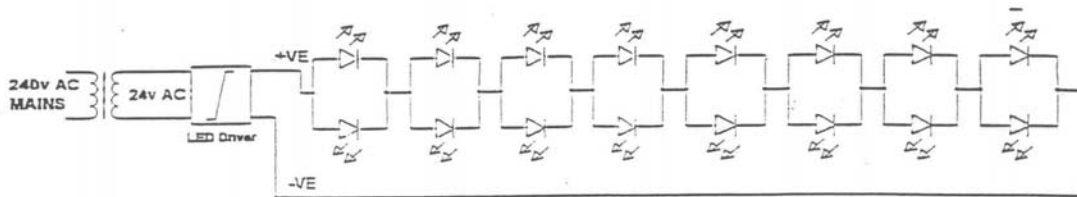
8STAR

Driver will supply 1 - 8 LED's in series

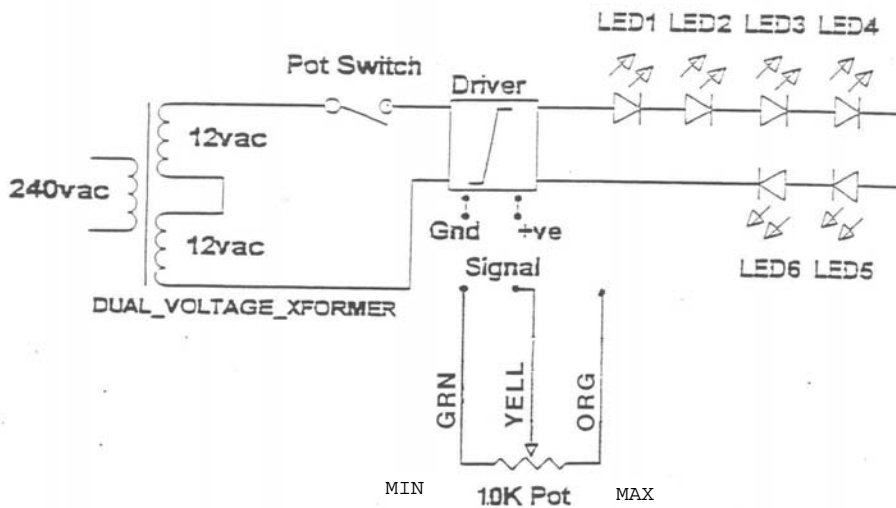
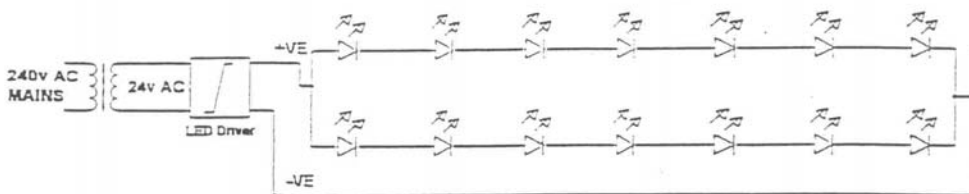


16STAR

Driver will supply 2 - 16 LED's in series / parallel



OR 2 series strings of 1-7 LED's



Stardrive Series 3Watt issue 2

Luxeon Led Driver

Introduction

Need to move on from conventional lighting, get rid of high voltage (Dangerous and Expensive) lighting Solutions, which may only have a lifetime of 1-2000 hrs. Think LED's, which offer a Safe low/ voltage and cost solution, with a long service life of in excess of 50.000 hrs.

Product Overview

Sumatec's Stardrive Series modules are designed to drive Lumileds' R Luxeon R Leds from a 24 volt AC power source. Intended of applications where low voltage, quality, reliability, efficiency and service life are critical factors. Typical application include:-

- 11) Back lighting
- 12) Interior and exterior lighting
- 13) Emergency lighting
- 14) Architectural lighting
- 15) Signage and Display's
- 16) Water feature/Swimming Pool Illumination
- 17) Marine
- 18) Signalling/Specialist lighting
- 19) Walkways & Railings
- 20) Any application where lighting is used.

Modules are available for driving 6 Led's in series, at a maximum of 1A, (Depending on individual Forward voltage Drop).

Including Full Power & Dimming via (Potentiometer Control , or 0-10vdc & 4-20ma Inverted / Non-inverted)The units for Dimming are Suffixed with either Vdc, ImA or Pot.

Full Technical Data Sheet

Features

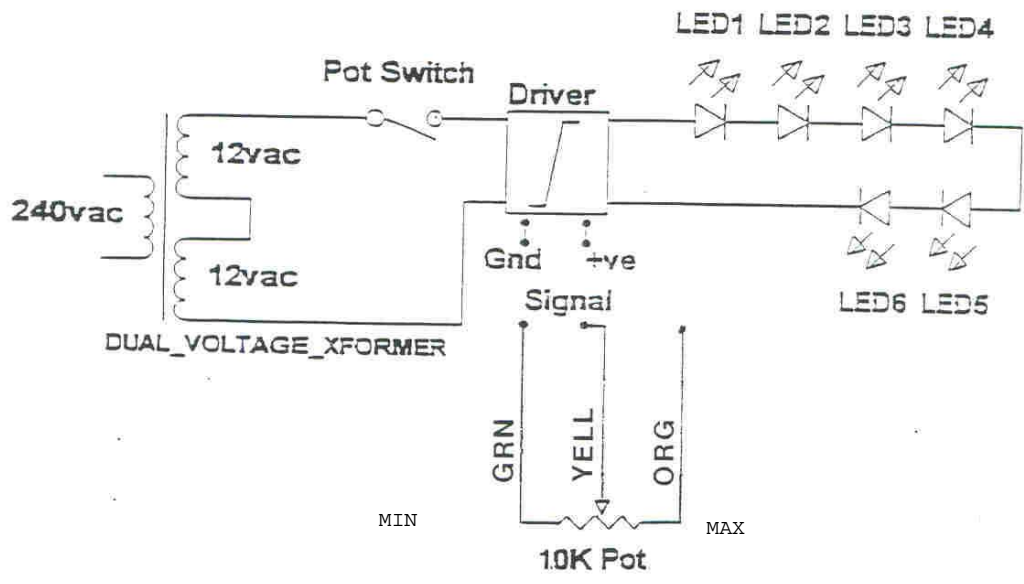
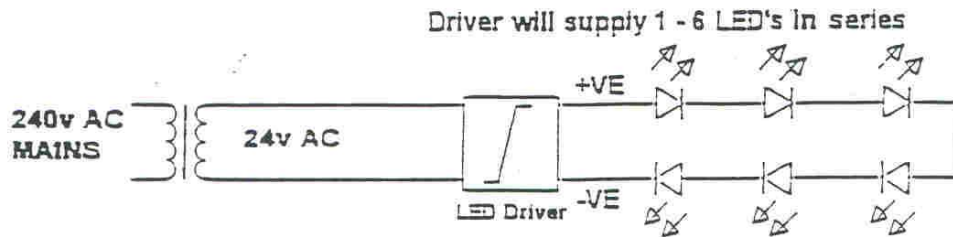
- H) Luxeon R compliant drivers
- I) Latest SMT Technology
- J) Sealed against Moisture
- K) 90% Efficiency
- L) Thermal & Short Circuit Protected
- M) Constant Current
- N) Long Service Life (50,000 Hour +)

Electrical Specifications

Input Voltage	24 v AC or 12 to 36 v DC	
	Dependent on number of led's	
Input Current	1A Max	60mm(L)x
Output Current	1A Max	35mm(W)x
Current Accuracy	+/- 2%	20mm(H).
Current Set	- 7% to Extend Led Life	
Isolation	Achieved with Isolated Secondary Windings on Transformer.	

Dimensions

Connection Details



Stardrive Series 5Watt issue 2

Luxeon Led Driver

Introduction

Need to move on from conventional lighting, get rid of high voltage (Dangerous and Expensive) lighting Solutions, which may only have a lifetime of 1-2000 hrs. Think LED's, which offer a Safe low/ voltage and cost solution, with a long service life of in excess of 50.000 hrs.

Product Overview

Sumatec's Stardrive Series modules are designed to drive Lumileds' R Luxeon R Leds from a 24 volt AC power source. Intended of applications where low voltage, quality, reliability, efficiency and service life are critical factors. Typical application include:-

- 21) Back lighting
- 22) Interior and exterior lighting
- 23) Emergency lighting
- 24) Architectural lighting
- 25) Signage and Display's
- 26) Water feature/Swimming Pool Illumination
- 27) Marine
- 28) Signalling/Specialist lighting
- 29) Walkways & Railings
- 30) Any application where lighting is used.

Modules are available for driving 3 Led's in series, at a maximum of 700mA, (Depending on individual Forward voltage Drop).

Including Full Power & Dimming via (Potentiometer control, or 0-10vdc & 4-20ma Inverted/Non-Inverted)The units for Dimming are Suffixed with either Vdc, ImA or Pot.

Full Technical Data Sheet

Features

- O) Luxeon R compliant drivers
- P) Latest SMT Technology
- Q) Sealed against Moisture
- R) 90% Efficiency
- S) Thermal & Short Circuit Protected
- T) Constant Current
- U) Long Service Life (50,000 Hour +)

Electrical Specifications

Input Voltage	24 v AC or 12 to 36 v DC	Std	Dimming
	Dependent on number of led's	50mm(L) x	60mm(L)x
Input Current	700mA Max	35mm(W) x	35mm(L)x
Output Current	700mA Max	20mm(H).	20mm(H).
Current Accuracy	+/- 2%		
Current Set	- 7% to Extend Led Life		
Isolation	Achieved with Isolated Secondary Windings on Transformer.		

Dimensions

Sumatec Ltd, Albert Street, Huddersfield, HD1 3QG. Tel 01484 510400

Connection Details

