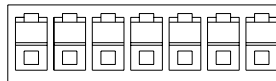
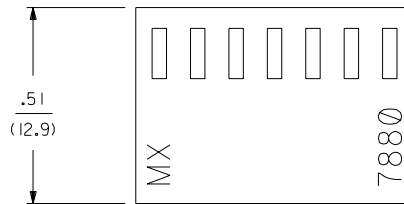
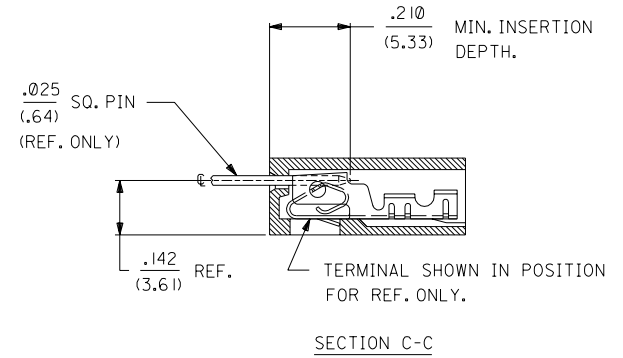
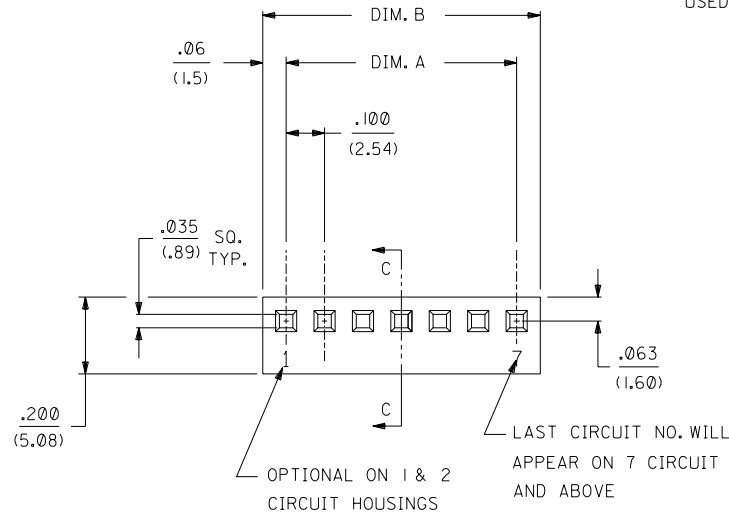


NO. OF CKT'S.	DIM. A	DIM. B
1		
2	.100±.004 (2.54±.10)	
3	.200±.004 (5.08±.10)	
4	.300±.004 (7.62±.10)	
5	.400±.004 (10.16±.10)	
6	.500±.005 (12.70±.13)	
7	.600±.005 (15.24±.13)	
8	.700±.005 (17.78±.13)	
9	.800±.006 (20.32±.15)	
10	.900±.006 (22.86±.15)	
11	1.000±.006 (25.40±.15)	
12	1.100±.006 (27.94±.15)	
13	1.200±.007 (30.48±.18)	
14	1.300±.007 (33.02±.18)	
15	1.400±.011 (35.56±.28)	
16	1.500±.011 (38.10±.28)	
17	1.600±.011 (40.64±.28)	
18	1.700±.011 (43.18±.28)	
19	1.800±.011 (45.72±.28)	
20	1.900±.011 (48.26±.28)	
21	2.000±.012 (50.80±.30)	
22	2.100±.012 (53.34±.30)	
23	2.200±.012 (55.88±.30)	
24	2.300±.012 (58.42±.30)	
25	2.400±.013 (60.96±.33)	
26	2.500±.013 (63.50±.33)	
27	2.600±.013 (66.04±.33)	
28	2.700±.013 (68.58±.33)	

NOTES:

1. DIMENSIONS GIVEN ACROSS CENTERLINES ARE SYMMETRICAL ABOUT THOSE CENTERLINES WITHIN HALF THE TOTAL TOLERANCES.
2. THIS HOUSING FOR USE WITH SHROUDED TERMINAL 7879.
3. THIS PRODUCT COMPLIES WITH MOLEX PRODUCT SPEC. NO. 7879.
4. SPECIAL SUPPORT MAY BE REQUIRED FOR PRINTED CIRCUIT BOARDS USED WITH 10 OR MORE CIRCUIT CONNECTORS.



7880 - N \* - \*

NO. OF CKTS.      VOID CODE

NO. CORRESPONDS TO CKT. NO. VOIDED.

MULT. VOIDS START WITH 51.

OPTION CODE		
OPT. CODE	RAMP	MATERIAL
A	NONE	
B	STD. RAMP	

.010 ---  
.014 0.25  
--- 0.35

