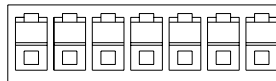
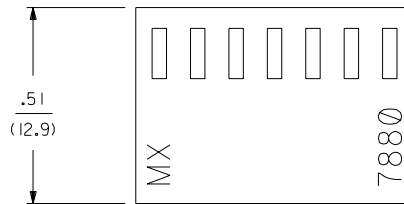
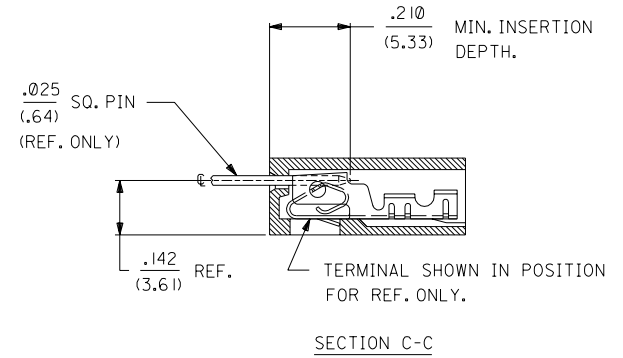
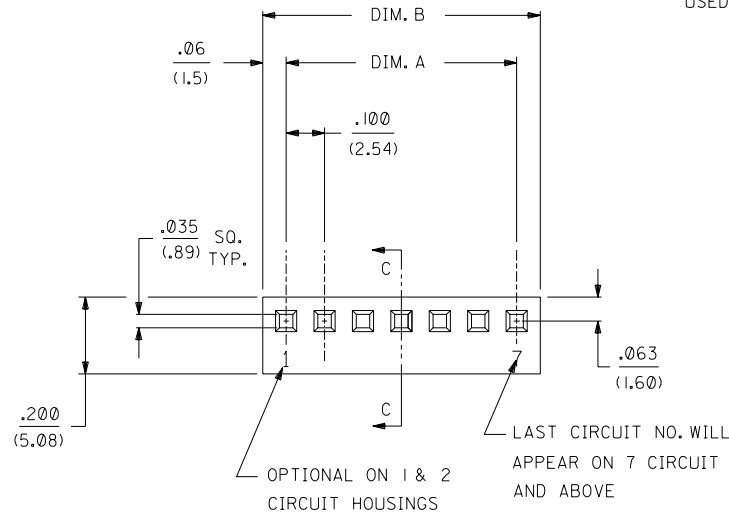


NO. OF CKT'S.	DIM. A	DIM. B
1		
2	.100±.004 (2.54±.10)	
3	.200±.004 (5.08±.10)	
4	.300±.004 (7.62±.10)	
5	.400±.004 (10.16±.10)	
6	.500±.005 (12.70±.13)	
7	.600±.005 (15.24±.13)	
8	.700±.005 (17.78±.13)	
9	.800±.006 (20.32±.15)	
10	.900±.006 (22.86±.15)	
11	1.000±.006 (25.40±.15)	
12	1.100±.006 (27.94±.15)	
13	1.200±.007 (30.48±.18)	
14	1.300±.007 (33.02±.18)	
15	1.400±.011 (35.56±.28)	
16	1.500±.011 (38.10±.28)	
17	1.600±.011 (40.64±.28)	
18	1.700±.011 (43.18±.28)	
19	1.800±.011 (45.72±.28)	
20	1.900±.011 (48.26±.28)	
21	2.000±.012 (50.80±.30)	
22	2.100±.012 (53.34±.30)	
23	2.200±.012 (55.88±.30)	
24	2.300±.012 (58.42±.30)	
25	2.400±.013 (60.96±.33)	
26	2.500±.013 (63.50±.33)	
27	2.600±.013 (66.04±.33)	
28	2.700±.013 (68.58±.33)	

NOTES:

1. DIMENSIONS GIVEN ACROSS CENTERLINES ARE SYMMETRICAL ABOUT THOSE CENTERLINES WITHIN HALF THE TOTAL TOLERANCES.
2. THIS HOUSING FOR USE WITH SHROUDED TERMINAL 7879.
3. THIS PRODUCT COMPLIES WITH MOLEX PRODUCT SPEC. NO. 7879.
4. SPECIAL SUPPORT MAY BE REQUIRED FOR PRINTED CIRCUIT BOARDS USED WITH 10 OR MORE CIRCUIT CONNECTORS.



7880 - N * - *

NO. OF CKTS. VOID CODE

NO. CORRESPONDS TO CKT. NO. VOIDED.

MULT. VOIDS START WITH 51.

OPTION CODE		
OPT. CODE	RAMP	MATERIAL
A	NONE	
B	STD. RAMP	

.010 ---
.014 0.25
--- 0.35

13

12

11

10

9

8

7

6

7880

4

3

2

1

7880-NB-*

7880-NB-*

J

I

H

G

F

E

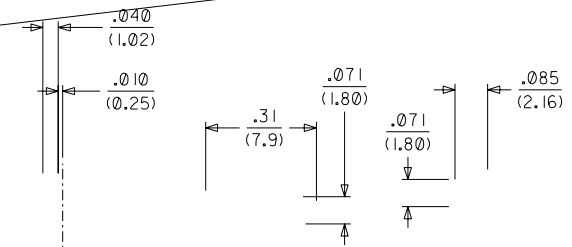
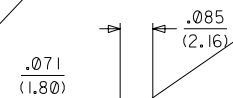
D

C

B

A

PART NO.	ENG. NO.	VOID CKT.	PART NO.	ENG. NO.	VOID CKT.
	1A				
	2A				
	3A				
	4A				
	5A				
	6A				
	7A				
	8A				
	9A				
	10A				
	11A				
	12A				
	13A				
	14A				



7880

REV.	DATE	BY	CHK'D BY	REVISIONS
SEE SHEET I				
SEE SHEET I				
SEE SHEET I				
SEE SHEET I				
SEE SHEET I	L	SEE SHEET I		
SEE SHEET I	K3	SEE SHEET I		
SEE SHEET I	H	SEE SHEET I		
LTR.		LTR.		

DIMENSIONS SHOWN (METRIC) INCH	
UNLESS OTHERWISE SPECIFIED	
TOLERANCES: ANGULAR ± 1/2°	
3 PLACE ± .010	
2 PLACE ± .014 ± 0.25	
1 PLACE ± 0.36	
DRAFT WHERE APPLICABLE MUST REMAIN WITHIN DIMENSIONS	
DRWG. BY: GUZIK	CHK'D BY: PATEL
APPR'D. BY: LENZ	SCALE: :

✓ =	▼ =	REVISE ONLY ON CAD SYSTEM
TITLE		
(2.54) / .100 KK, HOUSING FOR SHROUDED CRIMP TYPE TERMINAL		
MOLEX L1SLE,ILL. 60532 U.S.A.	SHEET NO. 2	DATE 08/24/88
PART NO. SEE CHART	DRWG. NO. SD-7880	
FILE NAME	THIS DRAWING CONTAINS INFORMATION THAT IS PROPRIETARY TO MOLEX INC. AND SHOULD NOT BE USED WITHOUT WRITTEN PERMISSION.	DIV. SIZE C