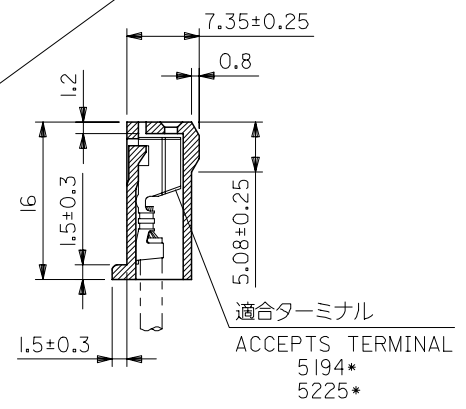
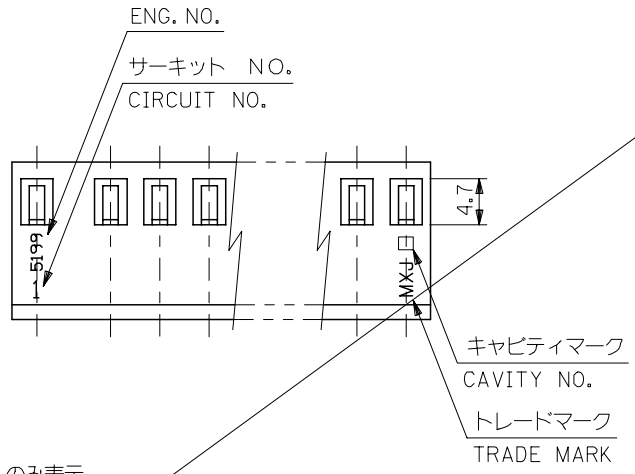
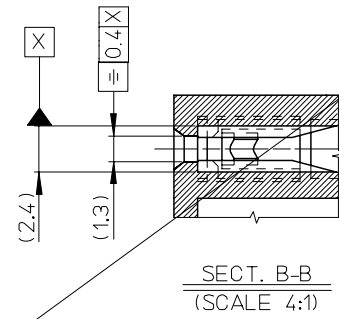
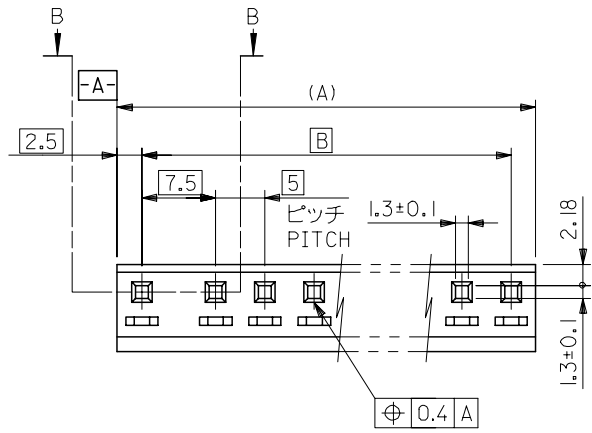


10 9 8 7 6 5 4 3 2 1



- 注) NOTE.
1. 各部のそりは0.5最大 WARPING:0.5MAX.
 2. サークットNO. はNO. " 1" のみ表示
CIRCUIT NO. : "I" ONLY

10-63-3064	5199-06	27.5	32.5	6
▲ -3054	▲ -05	22.5	27.5	5
▼ -3044	▼ -04	17.5	22.5	4
▼ -3034	▼ -03	12.5	17.5	3
10-63-3024	5199-02	7.5	12.5	2
EDP.NO.	ENG.NO.	B	(A)	極数 CKT.

DIMENSION STYLE MM ONLY	SCALE 2:1	DESIGN UNITS METRIC	THIRD ANGLE PROJECTION
K.KOHAMA 2000/03/28			
T.YAMAGUCHI 2000/03/30			
M.FUKUSHIMA 2000/03/30		MOLEX INCORPORATED	
SEE TABLE		SD-5199-001	
SIZE A3	THIS DRAWING CONTAINS INFORMATION THAT IS PROPRIETARY TO MOLEX INCORPORATED AND SHOULD NOT BE USED WITHOUT WRITTEN PERMISSION		

REVISED