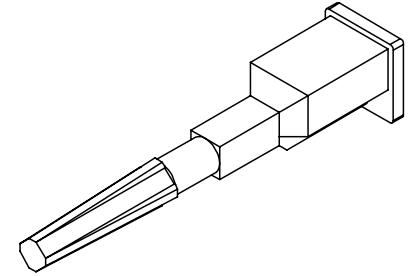


PART NO.	ENG. NO.	MATERIAL (SEE NOTE 1)	COLOR (SEE NOTE 1)
15-04-0211	42232-BA	B	A

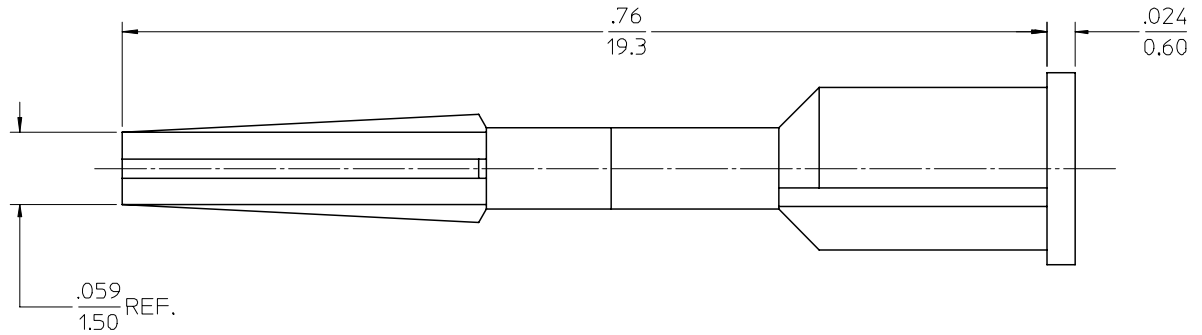
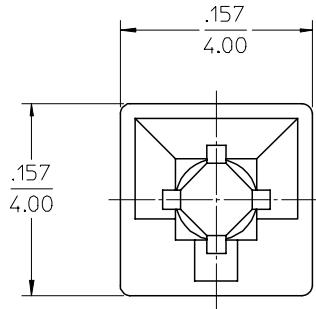
LEGEND

42232-**

BASE NO. _____
 MATERIAL _____
 COLOR _____



ISO VIEW
SCALE 5:1



- NOTES:
1. MATERIAL: "B"=NYLON 6/6, UL 94V-0; COLOR: "A"=NATURAL
 2. FINISH: NONE
 3. PRODUCT SPECIFICATION: NONE
 4. PACKAGING: BULK PACKAGED
 5. THIS PART FOR USE WITH MOLEX RECEPTACLE NO. 5557, 30067 AND 42474.
 6. KEY TO BE INSERTED FROM WIRE ENTRY SIDE OF RECEPTACLE HOUSING.
 7. PART CONFORMS TO CLASS "B" REQUIREMENTS OF COSMETIC SPECIFICATION PS-45499-002.

ADD PACKAGING EC NO: UCP2007-1267 (DRW)LSCHM1DT 2006/11/20 (CHKD):JBELL 2006/11/20 (APPR):FSM1TH 2006/11/20	QUALITY SYMBOLS ▽=0 ▽=0	GENERAL TOLERANCES (UNLESS SPECIFIED)		DIMENSION STYLE	SCALE	DESIGN UNITS	THIRD ANGLE PROJECTION	
				IN/MM	10:1	METRIC		
				DRAWN BY	DATE	TITLE		
				CHECKED BY	DATE	POLARIZING KEY FOR MINI-FIT JR. SERIES RECEPTACLE		
		APPROVED BY	DATE	MOLEX INCORPORATED				
		MATERIAL NO.	DATE	DOCUMENT NO.			SHEET NO.	
		SEE CHART	1992/03/31	SD-42232-**			1 OF 1	
		DRAFT WHERE APPLICABLE MUST REMAIN WITHIN DIMENSIONS		THIS DRAWING CONTAINS INFORMATION THAT IS PROPRIETARY TO MOLEX INCORPORATED AND SHOULD NOT BE USED WITHOUT WRITTEN PERMISSION				