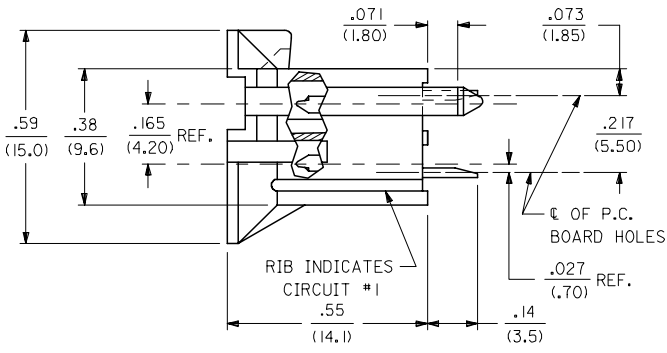
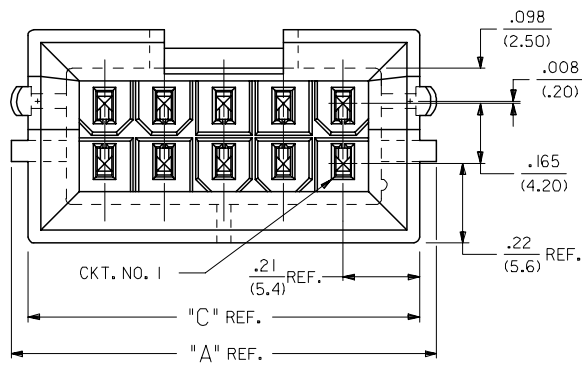
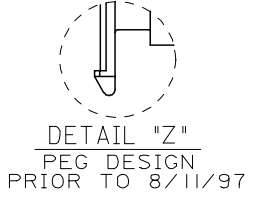
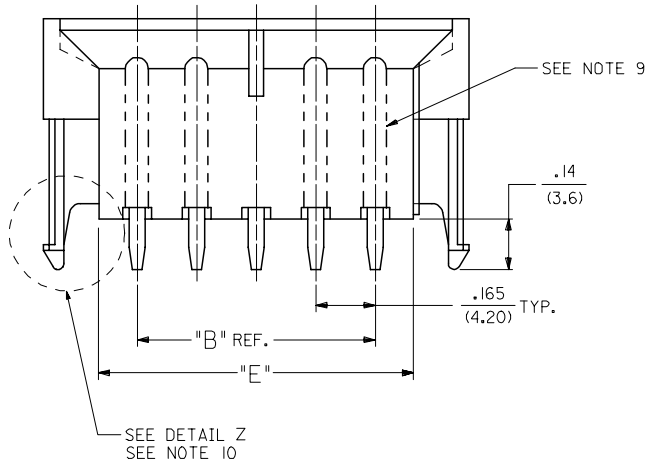
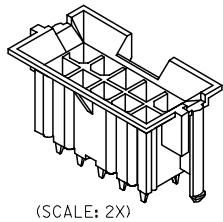


13 12 11 10 9 8 7 6 5 4 3 2 1

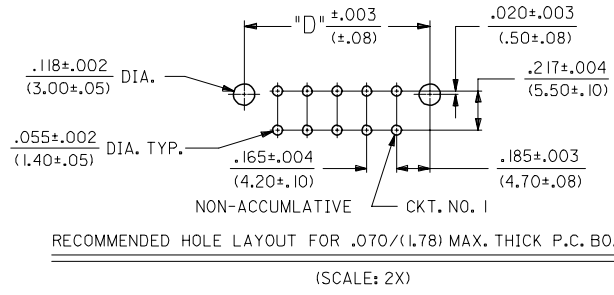
J
I
H
G
F
E
D
C
B
A



CIRCUIT SIZE	DIM. "A"	DIM. "B"	DIM. "C"	DIM. "D"	DIM. "E"
2	.520 (13.20)	—	.425 (10.80)	.370 (9.40)	.21 (5.4)
4	.685 (17.40)	.17 (4.2)	.590 (15.00)	.535 (13.60)	.38 (9.6)
6	.850 (21.60)	.33 (8.4)	.756 (19.20)	.701 (17.80)	.54 (13.8)
8	1.016 (25.80)	.50 (12.6)	.921 (23.40)	.866 (22.00)	.71 (18.0)
10	1.181 (30.00)	.66 (16.8)	1.087 (27.60)	1.031 (26.20)	.87 (22.2)
12	1.346 (34.20)	.83 (21.0)	1.252 (31.80)	1.197 (30.40)	1.04 (26.4)
14	1.512 (38.40)	.99 (25.2)	1.417 (36.00)	1.362 (34.60)	1.20 (30.6)
16	1.677 (42.60)	1.16 (29.4)	1.583 (40.20)	1.528 (38.80)	1.37 (34.8)
18	1.843 (46.80)	1.32 (33.6)	1.748 (44.40)	1.693 (43.00)	1.54 (39.0)
20	2.008 (51.00)	1.49 (37.8)	1.913 (48.60)	1.858 (47.20)	1.70 (43.2)
22	2.173 (55.20)	1.65 (42.0)	2.079 (52.80)	2.024 (51.40)	1.87 (47.4)
24	2.339 (59.40)	1.82 (46.2)	2.244 (57.00)	2.189 (55.60)	2.03 (51.6)



LEGEND:
A - 42440 - ***
BASE NUMBER
CIRCUIT SIZE (02-24)
PLATING (SEE NOTE 2.)
HOUSING MAT'L. & OPTIONS (SEE NOTE 1.)



6	P
5	P
4	P
3	P1
2	P
1	P1
	REV

Part No.	Part Description	Material	Plating
---22, ---42	42474-***2I, 5556-PBGS*P	94V-0	PHOS. BRZ. GOLD
---12, ---32	42474-***1I, 5556-PBGS*P	94V-2	PHOS. BRZ. GOLD
---22, ---42, ---23, ---43	42474-***2I, 5556-GS*P	94V-0	BRASS GOLD
---12, ---32, ---13, ---33	42474-***1I, 5556-GS*P	94V-2	BRASS GOLD
---2I, ---4I	42474-***2I, 5556-PBS*P	94V-0	PHOS. BRZ. TIN
---1I, ---3I	42474-***1I, 5556-PBS*P	94V-2	PHOS. BRZ. TIN
---2I, ---4I	42474-***2I, 5556-S*P	94V-0	BRASS TIN
---1I, ---3I	42474-***1I, 5556-S*P	94V-2	BRASS TIN
---22, ---42	A-42385-***D2, ---D4	94V-0	PHOS. BRZ. GOLD
---12, ---32	A-42385-***C2, ---C4	94V-2	PHOS. BRZ. GOLD
---22, ---42, ---23, ---43	A-42385-***B2, ---B4	94V-0	BRASS GOLD
---12, ---32, ---13, ---33	A-42385-***A2, ---A4	94V-2	BRASS GOLD
---2I, ---4I	A-42385-***D1	94V-0	PHOS. BRZ. TIN
---1I, ---3I	A-42385-***C1	94V-2	PHOS. BRZ. TIN
---2I, ---4I	A-42385-***B1	94V-0	BRASS TIN
---1I, ---3I	A-42385-***A1	94V-2	BRASS TIN
VERT. HEADER A-42440		HSG. MAT'L.	TERM. MAT'L. PLATING
MATING CONNECTOR		MATING CONNECTOR FEATURES	

SHEET 3, NOTE #9
EC NO: UCP2007-2479
DRAWN:LSCHMIDT 2007/04/04
CHKD:IBELL 2007/04/11
APPR:FSM TH 2007/04/16
DESCRIPTION
REV

QUALITY SYMBOLS
=0
=0

GENERAL TOLERANCES (UNLESS SPECIFIED)
mm INCH
4 PLACES ± --- ± ---
3 PLACES ± --- ± .010
2 PLACES ± 0.25 ± .015
1 PLACE ± 0.38 ± ---
ANGULAR ± 5 °

DIMENSION STYLE IN/MM
SCALE 4:1
DESIGN UNITS METRIC
THIRD ANGLE PROJECTION

DRAWN BY DATE
GEP 1989/04/06
CHECKED BY DATE
RJF 1989/04/06
APPROVED BY DATE
RAS 1989/04/06
MATERIAL NO.
DOCUMENT NO.

MINI-FIT B.M.I.
VERTICAL HEADER ASSY
WITH DRAIN HOLE OPTION

MOLEX INCORPORATED

SDA-42440-****

THIS DRAWING CONTAINS INFORMATION THAT IS PROPRIETARY TO MOLEX INCORPORATED AND SHOULD NOT BE USED WITHOUT WRITTEN PERMISSION

SHEET NO. 1 OF 6

12 11 10 9 8 7 6 5 4 3 2 1

	13	12	11	10	9	8	7	6	5	4	3	2	1			
J	PLATING: 50 M.I. SELECT GOLD (SEE NOTE 2 OPTION 'GS3')			PLATING: 50 M.I. SELECT GOLD (SEE NOTE 2 OPTION 'GS3')			PLATING: 50 M.I. SELECT GOLD (SEE NOTE 2 OPTION 'GS3')			PLATING: 50 M.I. SELECT GOLD (SEE NOTE 2 OPTION 'GS3')						
	DRAINS: WITHOUT DRAIN HOLES			DRAINS: WITHOUT DRAIN HOLES			DRAINS: WITH DRAIN HOLES			DRAINS: WITH DRAIN HOLES						
	PEGS: WITH PEGS			PEGS: WITH PEGS			PEGS: WITH PEGS			PEGS: WITH PEGS						
	MAT'L: 94V-2 [NATURAL]			MAT'L: 94V-0 [NATURAL]			MAT'L: 94V-2 [NATURAL]			MAT'L: 94V-0 [NATURAL]						
	PACKAGING: TRAY PER PK-42440-001			PACKAGING: TRAY PER PK-42440-001			PACKAGING: TRAY PER PK-42440-001			PACKAGING: TRAY PER PK-42440-001						
I	PART NO.	ENG NO.		CKTS	PART NO.	ENG NO.		CKTS	PART NO.	ENG NO.		CKTS	PART NO.	ENG NO.		CKTS
	NO EDP	A-42440-0213	-	2	NO EDP	A-42440-0223	-	2	NO EDP	A-42440-0233	-	2	NO EDP	A-42440-0243	-	2
	NO EDP	A-42440-0413	-	4	NO EDP	A-42440-0423	-	4	NO EDP	A-42440-0433	-	4	NO EDP	A-42440-0443	-	4
	NO EDP	A-42440-0613	-	6	NO EDP	A-42440-0623	-	6	NO EDP	A-42440-0633	-	6	NO EDP	A-42440-0643	-	6
	NO EDP	A-42440-0813	-	8	NO EDP	A-42440-0823	-	8	NO EDP	A-42440-0833	-	8	NO EDP	A-42440-0843	-	8
	NO EDP	A-42440-1013	-	10	NO EDP	A-42440-1023	-	10	NO EDP	A-42440-1033	-	10	NO EDP	A-42440-1043	-	10
	NO EDP	A-42440-1213	-	12	NO EDP	A-42440-1223	-	12	NO EDP	A-42440-1233	-	12	NO EDP	A-42440-1243	-	12
	NO EDP	A-42440-1413	-	14	NO EDP	A-42440-1423	-	14	NO EDP	A-42440-1433	-	14	NO EDP	A-42440-1443	-	14
	NO EDP	A-42440-1613	-	16	NO EDP	A-42440-1623	-	16	NO EDP	A-42440-1633	-	16	NO EDP	A-42440-1643	-	16
H	NO EDP	A-42440-1813	-	18	NO EDP	A-42440-1823	-	18	NO EDP	A-42440-1833	-	18	NO EDP	A-42440-1843	-	18
	NO EDP	A-42440-2013	-	20	NO EDP	A-42440-2023	-	20	NO EDP	A-42440-2033	-	20	NO EDP	A-42440-2043	-	20
	NO EDP	A-42440-2213	-	22	NO EDP	A-42440-2223	-	22	NO EDP	A-42440-2233	-	22	NO EDP	A-42440-2243	-	22
	NO EDP	A-42440-2413	-	24	NO EDP	A-42440-2423	-	24	NO EDP	A-42440-2433	-	24	NO EDP	A-42440-2443	-	24
	-	-	-	-	-	-	-	-	-	-	-	-	-	-	-	-
	-	-	-	-	-	-	-	-	-	-	-	-	-	-	-	-
G	PLATING:			PLATING:			PLATING:			PLATING:						
	DRAINS:			DRAINS:			DRAINS:			DRAINS:						
	PEGS:			PEGS:			PEGS:			PEGS:						
	MAT'L:			MAT'L:			MAT'L:			MAT'L:						
	PACKAGING:			PACKAGING:			PACKAGING:			PACKAGING:						
F	ITEM NO.			CKTS	ITEM NO.			CKTS	ITEM NO.			CKTS	ITEM NO.			CKTS
	-	-	-	2	-	-	-	2	-	-	-	2	-	-	-	2
	-	-	-	4	-	-	-	4	-	-	-	4	-	-	-	4
	-	-	-	6	-	-	-	6	-	-	-	6	-	-	-	6
	-	-	-	8	-	-	-	8	-	-	-	8	-	-	-	8
	-	-	-	10	-	-	-	10	-	-	-	10	-	-	-	10
	-	-	-	12	-	-	-	12	-	-	-	12	-	-	-	12
E	-	-	-	14	-	-	-	14	-	-	-	14	-	-	-	14
	-	-	-	16	-	-	-	16	-	-	-	16	-	-	-	16
	-	-	-	18	-	-	-	18	-	-	-	18	-	-	-	18
	-	-	-	20	-	-	-	20	-	-	-	20	-	-	-	20
	-	-	-	22	-	-	-	22	-	-	-	22	-	-	-	22
	-	-	-	24	-	-	-	24	-	-	-	24	-	-	-	24
D																

STANDARDIZE NOTES FCC NO: UCP2007-2152 DRW: NLSCHM1 DT 2007/03/12 CHKD: ADERR 2007/03/19 APPR: FSM TH 2007/03/19 REVISIONS	QUALITY SYMBOLS = 0.05 = 0.1	GENERAL TOLERANCES (UNLESS SPECIFIED) <table border="1"> <tr> <th></th> <th>mm</th> <th>INCH</th> </tr> <tr> <td>4 PLACES</td> <td>± ---</td> <td>± ---</td> </tr> <tr> <td>3 PLACES</td> <td>± ---</td> <td>± ---</td> </tr> <tr> <td>2 PLACES</td> <td>± ---</td> <td>± ---</td> </tr> <tr> <td>1 PLACE</td> <td>± ---</td> <td>± ---</td> </tr> </table>		mm	INCH	4 PLACES	± ---	± ---	3 PLACES	± ---	± ---	2 PLACES	± ---	± ---	1 PLACE	± ---	± ---	DIMENSION STYLE IN/MM	SCALE ---	DESIGN UNITS METRIC	THIRD ANGLE PROJECTION
		mm	INCH																		
	4 PLACES	± ---	± ---																		
	3 PLACES	± ---	± ---																		
2 PLACES	± ---	± ---																			
1 PLACE	± ---	± ---																			
		DRAWN BY ERH DATE 2000/02/23 CHECKED BY MB DATE 2000/02/23 APPROVED BY RE DATE 2000/02/23	TITLE MINI-FIT B.M.I. VERTICAL HEADER ASSY WITH DRAIN HOLE OPTION	MOLEX INCORPORATED																	
		MATERIAL NO. SEE CHART DRAFT WHERE APPLICABLE MUST REMAIN WITHIN DIMENSIONS	SIZE C THIS DRAWING CONTAINS INFORMATION THAT IS PROPRIETARY TO MOLEX INCORPORATED AND SHOULD NOT BE USED WITHOUT WRITTEN PERMISSION	DOCUMENT NO. SDA-42440-****	SHEET NO. 5 OF 6																

PLATING:		PLATING:		PLATING:		PLATING:	
DRAINS:	ITH \-I H -	DRAINS:	ITH \-I H -	DRAINS:	ITH \-I H -	DRAINS:	ITH \-I H -
PEGS:	ITH -	PEGS:	ITH -	PEGS:	ITH -	PEGS:	ITH -
MAT'L:	- -T \-	MAT'L:	- -T \-	MAT'L:	- -T \-	MAT'L:	- -T \-
PACKAGING:	T - \ K- -	PACKAGING:	T - \ K- -	PACKAGING:	T - \ K- -	PACKAGING:	T - \ K- -
ITEM NO.		CKTS	ITEM NO.		CKTS	ITEM NO.	
-	-	-	-	-	-	-	-
-	-	-	-	-	-	-	-
-	-	-	-	-	-	-	-
-	-	-	-	-	-	-	-
-	-	-	-	-	-	-	-
-	-	-	-	-	-	-	-
-	-	-	-	-	-	-	-
-	-	-	-	-	-	-	-
-	-	-	-	-	-	-	-
-	-	-	-	-	-	-	-
-	-	-	-	-	-	-	-
-	-	-	-	-	-	-	-
-	-	-	-	-	-	-	-

PLATING:		PLATING:		PLATING:		PLATING:	
DRAINS:	WITHOUT DRAIN HOLES	DRAINS:	WITHOUT DRAIN HOLES	DRAINS:	ITH \-I H -	DRAINS:	ITH \-I H -
PEGS:	WITH PEGS	PEGS:	WITH PEGS	PEGS:	ITH -	PEGS:	ITH -
MAT'L:	94V-2 [NATURAL]	MAT'L:	94V-0 [NATURAL]	MAT'L:	- -T \-	MAT'L:	- -T \-
PACKAGING:	TUBE PER PK-40873-0151	PACKAGING:	TUBE PER PK-40873-0151	PACKAGING:	T - \ K- -	PACKAGING:	T - \ K- -
ITEM NO.		CKTS	ITEM NO.		CKTS	ITEM NO.	
-	-	2	-	-	2	-	-
-	-	4	-	-	4	-	-
-	-	6	-	-	6	-	-
-	-	8	-	-	8	-	-
-	-	10	-	-	10	-	-
-	-	12	-	-	12	-	-
-	-	14	-	-	14	-	-
-	-	16	-	-	16	-	-
-	-	18	-	-	18	-	-
-	-	20	-	-	20	-	-
-	-	22	-	-	22	-	-
-	-	24	-	-	24	-	-

