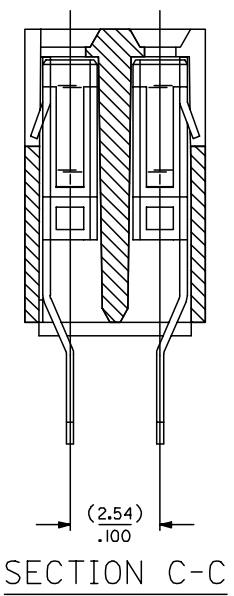
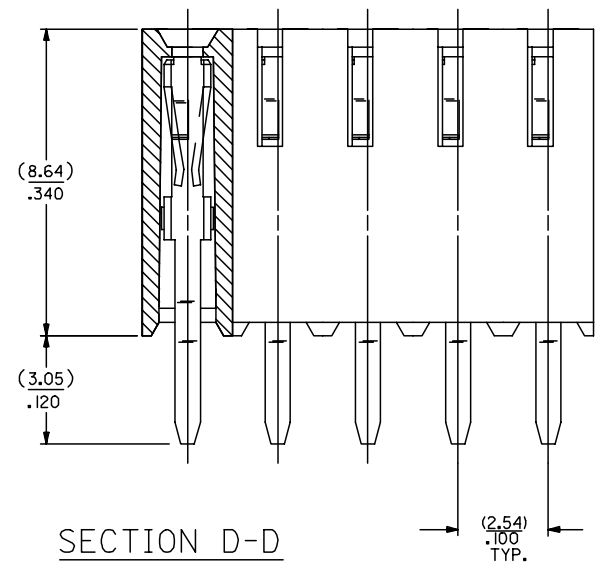
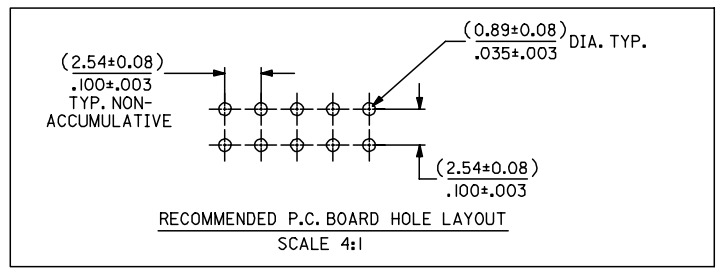


- NOTES:
1. HOUSING MATERIAL: GLASS FILLED LIQUID CRYSTAL POLYMER, UL 94V-0, COLOR: BLACK. TERMINAL MATERIAL: PHOSPHOR BRONZE
 2. FINISHES: SEE CHART SHEET 2.
 3. REFER TO PRODUCT SPECIFICATION PS-70181.
 4. SEE SHEET 2 FOR CIRCUIT SIZES AND OVERALL DIMENSIONS.
 5. PACKAGING IN TRAYS PER PK-70873-0660.
 6. RECOMMENDED PCB THICKNESS (1.37-1.80)/.054-.071.
 7. PART COMPLIES WITH CLASS C OF COSMETIC SPECIFICATION PS-45499-002.



ADD NOTE 6 - 7 EC NO: UCP2008-1019 DRAWNSMART 2007/11/12 CHKD:BBARKER 2007/11/30 APPR:SMILLER 2007/11/30 REVISIONS DESCRIPTION	QUALITY SYMBOLS	GENERAL TOLERANCES (UNLESS SPECIFIED)	DIMENSION STYLE	SCALE	DESIGN UNITS	THIRD ANGLE PROJECTION
	$\nabla=0$ $\nabla=0$	mm INCH 4 PLACES ± --- ± --- 3 PLACES ± --- ± .005 2 PLACES ± 0.13 ± .010 1 PLACE ± 0.25 ± --- ANGULAR ±1/2°	MM/IN	INCH	INCH	TITLE SALES VERTICAL MOUNT DUAL ROW HIGH TEMP .100 X .100 PC GRID MOLEX INCORPORATED DOCUMENT NO. SDA-71850-0*** SHEET NO. 1 OF 2
		DRAFT WHERE APPLICABLE MUST REMAIN WITHIN DIMENSIONS	SEE TABLE	DRAWN BY DATE SKL 1988/02/29 CHECKED BY DATE MJM 1988/02/29 APPROVED BY DATE WAZ 1988/02/29 MATERIAL NO.		

5 44 6806	Λ 7 850 0065	5 44 5806	Λ 7 850 0 29	5 44 5 04	Λ 7 850 0 93
5 44 6808	Λ 7 850 0066	5 44 5808		5 44 5 06	Λ 7 850 0 94
5 44 68 0	Λ 7 850 0067	5 44 58 0		5 44 5 08	Λ 7 850 0 95
5 44 68 2	Λ 7 850 0068	5 44 58 2		5 44 5 0	Λ 7 850 0 96
5 44 68 4	Λ 7 850 0069	5 44 58 4		5 44 5 2	Λ 7 850 0 97
5 44 68 6	Λ 7 850 0070	5 44 58 6		5 44 5 4	Λ 7 850 0 98
5 44 68 8	Λ 7 850 007	5 44 58 8		5 44 5 6	Λ 7 850 0 99
5 44 6820	Λ 7 850 0072	5 44 5820		5 44 5 8	Λ 7 850 0200
5 44 6822	Λ 7 850 0073	5 44 5822		5 44 5 20	Λ 7 850 020
5 44 6824	Λ 7 850 0074	5 44 5824		5 44 5 22	Λ 7 850 0202
5 44 6826	Λ 7 850 0075	5 44 5826		5 44 5 24	Λ 7 850 0203
5 44 6828	Λ 7 850 0076	5 44 5828		5 44 5 26	Λ 7 850 0204
5 44 6830	Λ 7 850 0077	5 44 5830		5 44 5 28	Λ 7 850 0205
5 44 6832	Λ 7 850 0078	5 44 5832		5 44 5 30	Λ 7 850 0206
5 44 6834	Λ 7 850 0079	5 44 5834		5 44 5 32	Λ 7 850 0207
5 44 6836	Λ 7 850 0080	5 44 5836		5 44 5 34	Λ 7 850 0208
5 44 6838	Λ 7 850 008	5 44 5838		5 44 5 36	Λ 7 850 0209
5 44 6840	Λ 7 850 0082	5 44 5840		5 44 5 38	Λ 7 850 02 0
5 44 6842	Λ 7 850 0083	5 44 5842		5 44 5 40	Λ 7 850 02
5 44 6844	Λ 7 850 0084	5 44 5844		5 44 5 42	Λ 7 850 02 2
5 44 6846	Λ 7 850 0085	5 44 5846		5 44 5 44	Λ 7 850 02 3
5 44 6848	Λ 7 850 0086	5 44 5848		5 44 5 46	Λ 7 850 02 4
5 44 6850	Λ 7 850 0087	5 44 5850	Λ 7 850 0 5	5 44 5 48	Λ 7 850 02 5
5 44 6852	Λ 7 850 0088	5 44 5852	Λ 7 850 0 52	5 44 5 50	Λ 7 850 02 6
5 44 6854	Λ 7 850 0089	5 44 5854	Λ 7 850 0 53	5 44 5 52	Λ 7 850 02 7
5 44 6856	Λ 7 850 0090	5 44 5856	Λ 7 850 0 54	5 44 5 54	Λ 7 850 02 8
5 44 6858	Λ 7 850 009	5 44 5858	Λ 7 850 0 55	5 44 5 56	Λ 7 850 02 9
5 44 6860	Λ 7 850 0092	5 44 5860	Λ 7 850 0 56	5 44 5 58	Λ 7 850 0220
5 44 6862	Λ 7 850 0093	5 44 5862	Λ 7 850 0 57	5 44 5 60	Λ 7 850 022
5 44 6864	Λ 7 850 0094	5 44 5864	Λ 7 850 0 58	5 44 5 62	Λ 7 850 0222
5 44 6866	Λ 7 850 0095	5 44 5866	Λ 7 850 0 59	5 44 5	Λ 7 850 0223
5 44 6868	Λ 7 850 0096	5 44 5868	Λ 7 850 0 60	5 44 5 66	Λ 7 850 0224
5 44 6870	Λ 7 850 0097	5 44 5870	Λ 7 850 0 6	5 44 5 68	Λ 7 850 0225
5 44 6872	Λ 7 850 0098	5 44 5872	Λ 7 850 0 62	5 44 5 70	Λ 7 850 0226
5 44 6874	Λ 7 850 0099	5 44 5874	Λ 7 850 0 63	5 44 5 72	Λ 7 850 0227
5 44 6876	Λ 7 850 0 00	5 44 5876	Λ 7 850 0 N	5 44 5 74	Λ 7 850 0228
5 44 6878	Λ 7 850 0 0	5 44 5878	Λ 7 850 0 65	5 44 5 76	Λ 7 850 0229
5 44 6880	Λ 7 850 0 02	5 44 5880	Λ 7 850 0 66	5 44 5 78	Λ 7 850 0230
	Λ 7 850 0 03		Λ 7 850 0 67	5 44 5 80	Λ 7 850 023

