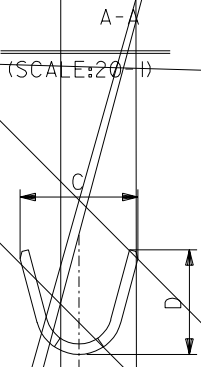
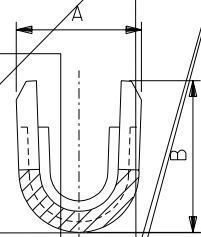
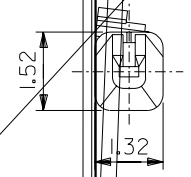
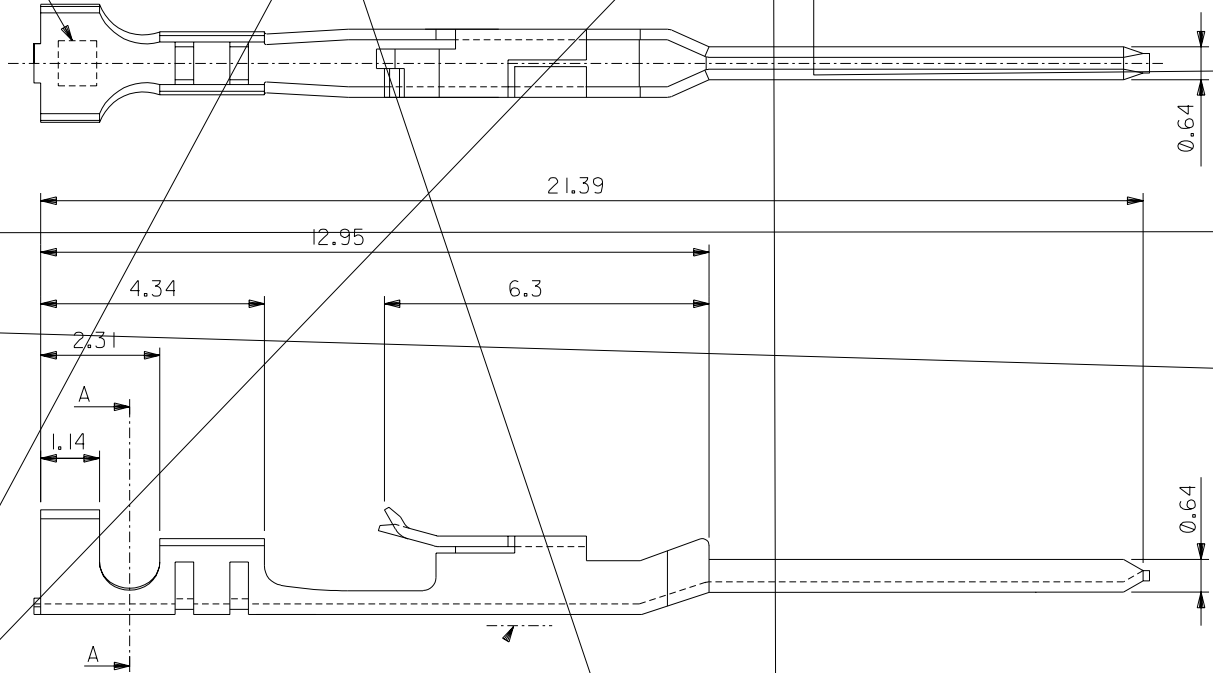


0*04
SD-70021-0*21



(SCALE:20:1)



1.91	2.1	1.47	1.22	A	Ø 1.6 MAX.	AWG#24-#30	CHAIN	70021-0204
1.91	2.1	1.65	1.84	C		AWG#22-#24	LO	70021-0221
D	C	B	A				FORM	70021-0021

t 0.203

A REVISED
RELEASED (T00110) H.H. H.I '91/5/20
A.M. M.S '90/4/6

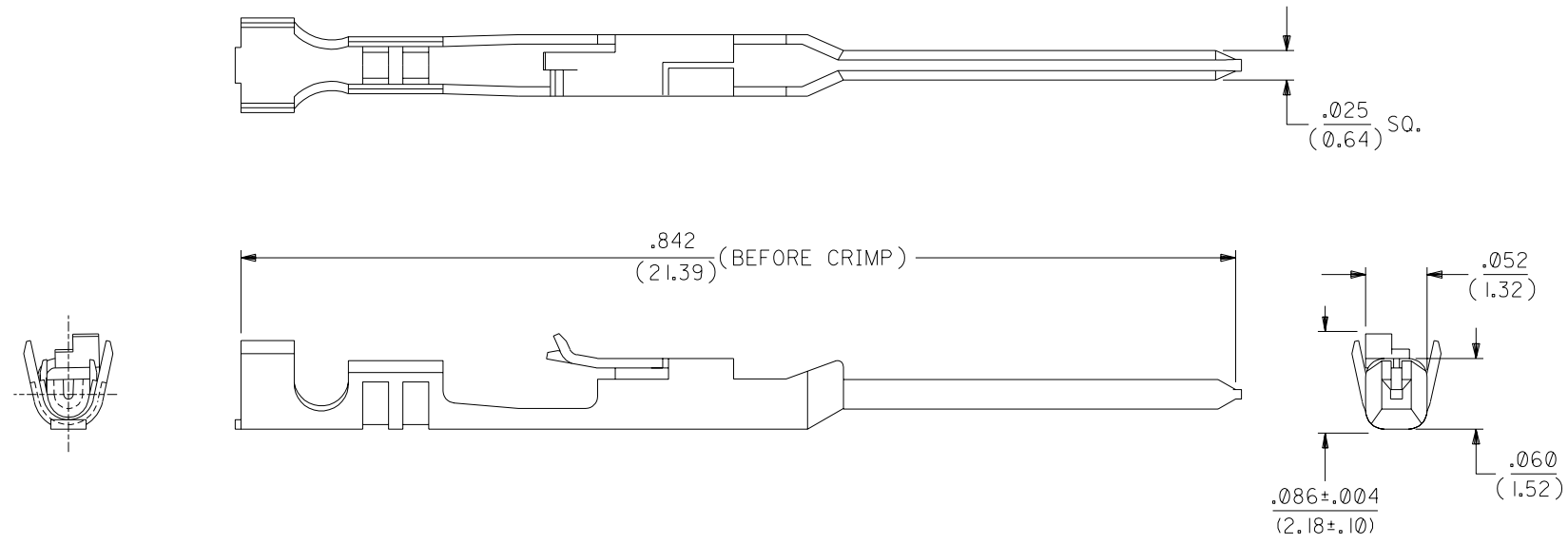
A. Mitake M. Puro A. Sano
S. Yamada

SD-70021-0*04
0*21 B

SL MALE CRIMP TERMINAL

10-1

10 | 9 | 8 | 7 | 6 | 70021 | 4 | 3 | 2 | 70021



NOTES:

1. TERMINAL FOR USE WITH HOUSING PART NO. 70066-**** & 70107-****.
2. MATERIAL: .008/(0.20) THK. PHOSPHOR BRONZE.
3. TERMINAL TO BE USED WITH 24-30 AWG STRANDED WIRE WITH .060 DIA. MAX. INSULATION.
4. REFER TO MOLEX OPERATIONAL AND SERVICE MANUAL FOR DETAILS.
5. REFER TO PRODUCT SPECIFICATION NO. PS-70021.
6. PARTS SUPPLIED LOOSE PER DRAWING PK-70873-0822.

PLATING:

.000150 MIN. TIN PLATE
OVER NICKEL PLATE.

*THE PRIMARY SHIPPING CARTON WILL BE LABELED "COMPLIANT TO RoHS DIRECTIVE 2002/95/EC AND ELV ANNEX II OF DIRECTIVE 2000/53/EC" CARTONS WITHOUT THIS LABEL MAY CONTAIN PRODUCT WITH LEAD.

D	LEAD FREE UCP2004-1769 RWHITE 04/03/15
C2	REVISED PER ECR #U80270 MCGRATH 97/07/31
C1	REVISED PER ECR #U70928 MCGRATH 97/06/26
C	164 PLTG. WAS 102 PER ECR # U31149 08/19/93 REED
B	REDRAWN ON CAD PER ECR # 9509 11/10/86 WJF/MJM

MFG.	SH.	REV.	LTR.	REVISIONS
------	-----	------	------	-----------

DIMENSIONS SHOWN (METRIC) INCH		▽ = 0 ▼ = 0		REVISE ONLY ON CAD SYSTEM	
UNLESS OTHERWISE SPECIFIED TOLERANCES: ANGULAR ± 1/2°					
		INCH		METRIC	
3 PLACE	± .010	---			
2 PLACE	± .015	± 0.25			
1 PLACE	---	± 0.35			
DRAFT WHERE APPLICABLE MUST REMAIN WITHIN DIMENSIONS					
TITLE		TERMINAL, MALE CRIMP			
MOLEX INCORPORATED		SHEET NO. 1		DATE 10/30/86	
LISLE, ILL. 60532 U.S.A.		PART NO. SD-70021-0204			
DRWG. BY WJF	CHK'D. BY MJM	FILE NAME S70021X4 DGN	THIS DRAWING CONTAINS INFORMATION THAT IS PROPRIETARY TO MOLEX INC. AND SHOULD NOT BE USED WITHOUT WRITTEN PERMISSION.		DIV. DA
APP'D. BY WAZ	SCALE 10:1			SIZE B	

10 | 9 | 8 | 7 | 6 | 5 | 4 | 3 | 2 | 1