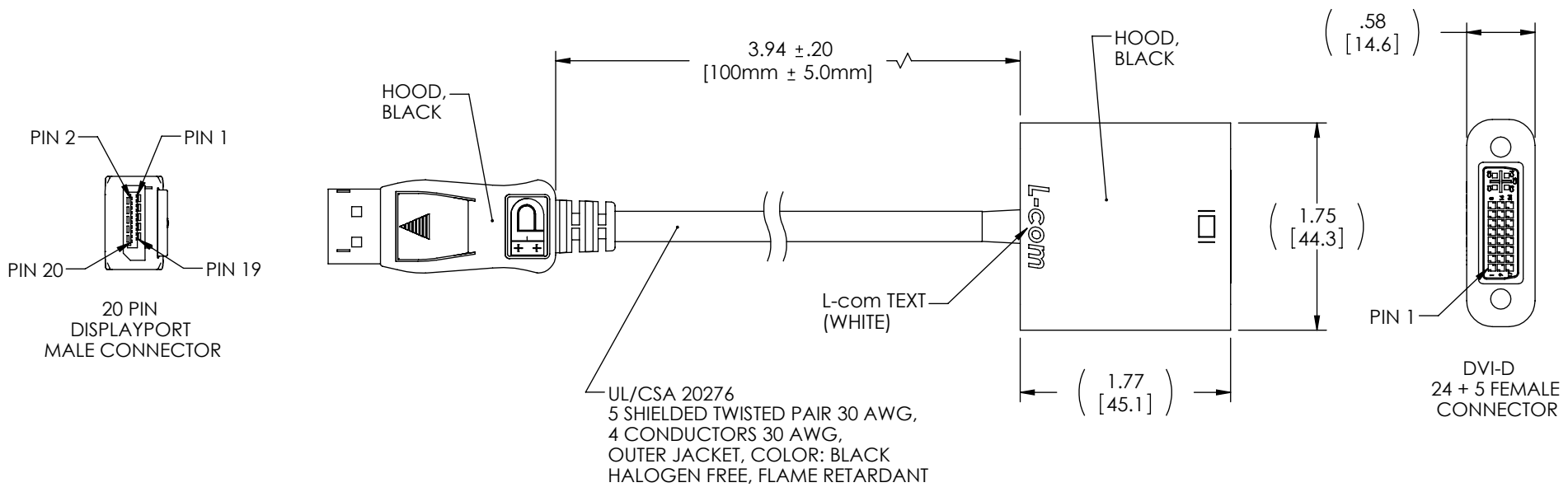


THE INFORMATION CONTAINED IN THIS DRAWING IS THE SOLE PROPERTY OF L-COM, INC. ANY REPRODUCTION IN PART OR WHOLE WITHOUT THE WRITTEN PERMISSION OF L-COM, INC. IS PROHIBITED.

REVISIONS			
REV	DESCRIPTION	DATE	APPROVED
E	ECN 5075: CHANGED DRAWING TO MATCH SUPPLIER NEW DESIGN	10/8/10	D. CASTRO
-	-	-	-
-	-	-	-
-	-	-	-



- NOTES:**
1. CABLE ASSEMBLY SHIPPED WITH DUST COVER ON DISPLAYPORT SIDE (NOT SHOWN)
 2. FACTORY TESTED FOR CONTINUITY PRIOR TO SHIPPING.
 3. CABLE ASSEMBLIES SHALL BE INDIVIDUALLY PACKAGED IN A POLYBAG.

UNLESS OTHERWISE SPECIFIED, DIMENSIONS ARE IN INCHES [mm] OVERALL CABLE LENGTH TOLERANCE: ≤ 12 [305] = +1 [25] / -0 >12 [305] ≤ 60 [1524] = +2 [51] / -0 >60 [1524] ≤ 120 [3048] = +4 [102] / -0 >120 [3048] ≤ 300 [7620] = +6 [152] / -0 >300 [7620] = +5% / -0% ALL OTHER DIMENSIONAL TOLERANCES: .X = .3 .XX = .15 PROJECTION 	APPROVALS DRAWN BY D.CASTRO CHECKED BY M.SEDLESKI APPROVED BY G.PEPIN	DATE 10/1/08 10/15/08 10/15/08	45 BEECHWOOD DRIVE NORTH ANDOVER, MA 01845	
	CONFIGURATION DETAILS OF UNDIMENSIONED FEATURES MAY VARY			CATEGORY VIDEO
	COLOR VARIATIONS MAY OCCUR	SIZE A	FSCM NO. 43321	DWG. NO. ADP-DVID-MF
	SCALE: NONE		CAD FILE: ADP-DVID-MF.SLDDRW	REV. E SHEET 1 OF 1