

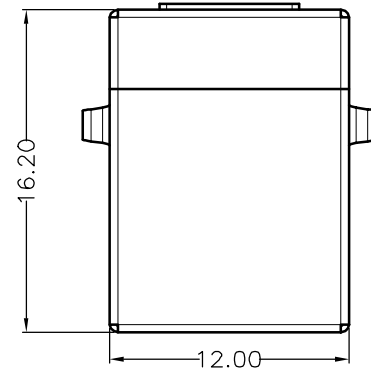
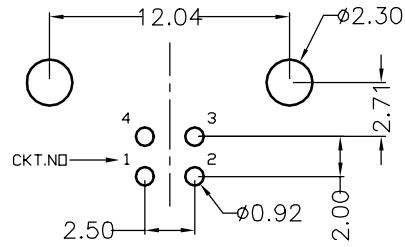
1

2

3

4

5



TECHNICAL CHARACTERISTICS

**MATERIAL**  
 INSULATOR: PBT  
 COLOR: WHITE  
 CONTACT MATERIAL: COPPER ALLOYS  
 CONTACT TYPE: STAMPED  
 CONTACT PLATING: SELECTIVE GOLD  
 SHIELDING: BRASS Ni PLATED  
 QUALITY CLASS: 1500 MATING CYCLES

**ENVIRONMENTAL**  
 OPERATING TEMPERATURE: -40 UP TO 105°C  
 FLAMABILITY RATING: UL94-V0  
 COMPLIANCE: LEAD FREE AND ROHS

**ELECTRICAL**  
 CURRENT RATING: 1A  
 WORKING VOLTAGE: 30V  
 INSULATOR RESISTANCE: >1000 MOHM  
 DIELECTRIC WITHSTANDING VOLTAGE: 750V AC/MN  
 CONTACT RESISTANCE: 20 mOHM MAX

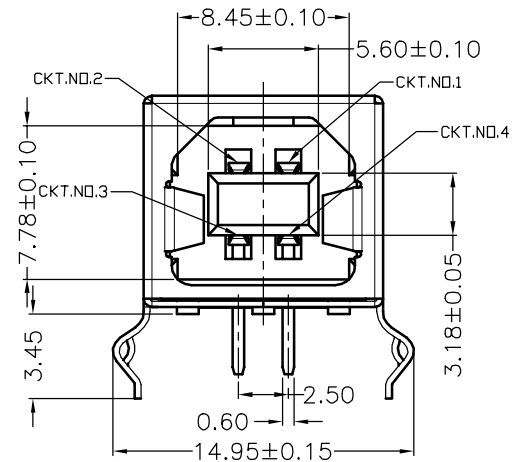
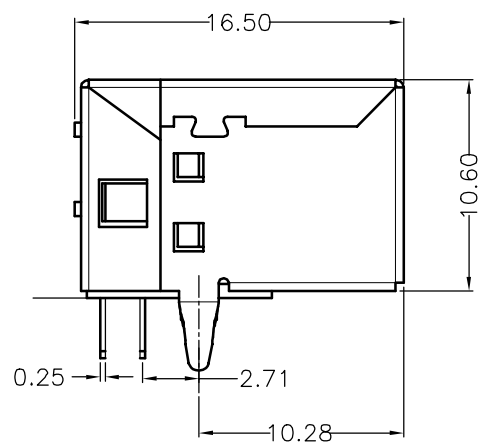
**SOLDERING**  
 WAVE PROCESS ONLY

**PACKAGING**  
 TRAY

A

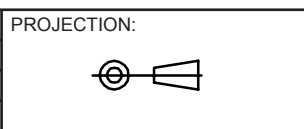
B

C



RoHS Compliant

|     |           |                |    |
|-----|-----------|----------------|----|
| G   |           |                |    |
| F   |           |                |    |
| E   | 05-DEC-07 | MODIFICATIONS  | EC |
| D   | 13-APR-07 | CORREC. LAYOUT | CH |
| C   | 10-NOV-06 | TC             | JP |
| B   | 09-AUG-04 | ROHS           | JP |
| A   | 30-MAY-03 | PDF            | JP |
| REV | DATE      | FILE           | BY |



GENERAL TOLERANCE  
 .X = +/- 0.2  
 .XX = +/- 0.15



APPROVAL: RJ

UNIT: MM  
 SCALE:  
 SHEET: 1/1  
 DRAW: PEARL

DESCRIPTION: USB TYPE B  
 WERI PART NO: 61400416121

SIZE  
**A4**

D