

## AD7216N2L

72 Watts

**Total Power:** 72 Watts  
**Input Voltage:** 90 - 264 Vac  
**# of Outputs:** Single



### Special Features

- Class II
- Universal AC input
- Fully regulated output
- Overvoltage and short circuit protection
- Constant voltage
- High efficiency
- IEC320 AC receptacle, 2 pin (type C8)
- Built in EMI filter
- (CISPR 22 Class B)
- AC Input fuse
- Complies with Blue Angel requirement

### Safety

**UL:** UL 60950-1  
**CuL:** 60950-1  
**PSE:** Denan  
**CB:** Certificate and report

## Electrical Specifications

### Input

Input range:	90-264 Vac (wide range)
Frequency:	47-63 Hz
Input current:	2 A maximum
Efficiency:	85% typical
EMI/RFI:	FCC Part 15, Subpart B Class B & EN55022 (CISPR 22) Class B
Safety ground leakage current:	0.5 mA maximum@ 50/60 Hz, 264 Vac input

### Output

Maximum Power (Po):	72 W
Hold-up time:	10 ms. minimum at full load @ 120 Vac
Short current protection:	Auto recover
Thermal protection:	Internally protected; output will latch off
Cable/connector:	DC cable length 2.1 mm center plug, right angle DC plug center +v DC plug outer -v
Overvoltage protection:	20 - 23 V; Latching type, recycle ac to reset

## Environmental Specifications

Operating temperature:	+5° to +40°C ambient
Storage temperature:	-10°C to +70°C
Electromagnetic susceptibility:	Designed to meet EN61000-4-2, -4, level 2; EN61000-4-5, Level 3
Humidity:	Operating; non-condensing 5% to 90% RH

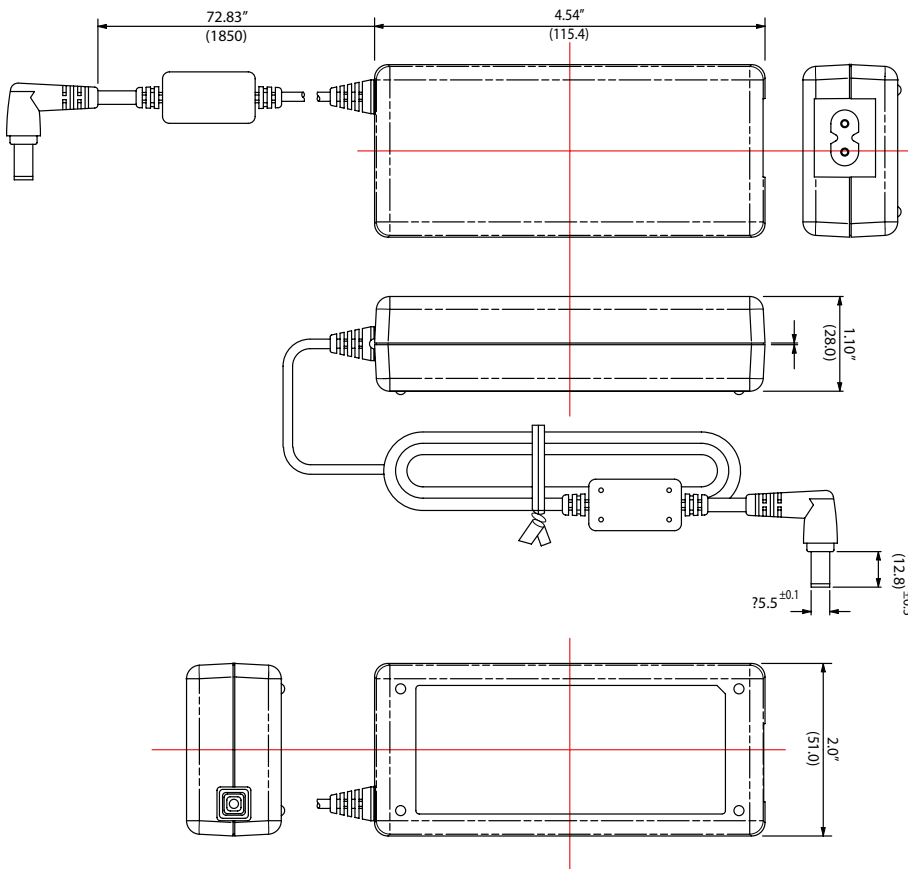


## Ordering Information

Model Number	Maximum Power	Output Voltage	Maximum Load	Peak Load <sup>1</sup>	Regulation <sup>2</sup>	Ripple P/P (PARD) <sup>3</sup>
AD7216N2L	72 W	16 V	4.5 A	4.75 A	±5%	<250mV

1. Peak current lasting <4 seconds with a maximum 10% duty cycle.
2. At 25°C including initial tolerance, line voltage, load currents and output voltages adjusted to factory settings.
3. Peak-to-peak with 20MHz bandwidth and 10µF (tantalum capacitor) in parallel with a 0.1µF capacitor at rated line voltage and load ranges.

## Mechanical Drawing



### NOTES:

1. DC PLUG OUTER DIAMETER = 5.5±0.1mm
2. DC PLUG INNER DIAMETER = 2.1±0.15mm
3. DC PLUG LENGTH = 12.8±0.5mm
4. OUTPUT CABLE LENGTH = 1850 +50/-30mm

### Notes:

1. Specifications subject to change without notice.
2. All dimensions in inches (mm), tolerance is ± 0.02" (±0.5 mm)
3. Warranty: 2 year
4. Weight: 0.65 lb./ 0.29 kg
5. AC input power cord sold separately.
6. Specifications at factory settings at 115VAC input, 25 °C unless otherwise stated

1.10" (H) x 2.0" (W) x 4.54" (L)  
28.0 mm (H) x 51 mm (W) x 115.4 mm (L)  
AC Input Connector: IEC320, C8 AC Input  
power cord sold separately

## Americas

5810 Van Allen Way  
Carlsbad, CA 92008  
USA  
Telephone: +1 (760) 930 4600  
Facsimile: +1 (760) 930 0698

## Europe (UK)

Waterfront Business Park  
Merry Hill, Dudley  
West Midlands, DY5 1LX  
United Kingdom  
Telephone: +44 (0) 1384 842 211  
Facsimile: +44 (0) 1384 843 355

## Asia (HK)

14/F, Lu Plaza  
2 Wing Yip Street  
Kwun Tong, Kowloon  
Hong Kong  
Telephone: +852 2176 3333  
Facsimile: +852 2176 3888

For global contact, visit:

[www.powerconversion.com](http://www.powerconversion.com)  
[technicalsupport@  
powerconversion.com](mailto:technicalsupport@powerconversion.com)

While every precaution has been taken to ensure accuracy and completeness in this literature, Emerson Network Power assumes no responsibility, and disclaims all liability for damages resulting from use of this information or for any errors or omissions.

**Emerson Network Power.**  
The global leader in enabling  
business-critical continuity.

- AC Power
- Connectivity
- DC Power
- Embedded Computing
- Embedded Power**
- Monitoring
- Outside Plant
- Power Switching & Controls
- Precision Cooling
- Racks & Integrated Cabinets
- Services
- Surge Protection

**EmersonNetworkPower.com**

Emerson Network Power and the Emerson Network Power logo are trademarks and service marks of Emerson Electric Co. ©2008 Emerson Electric Co.