



877-268

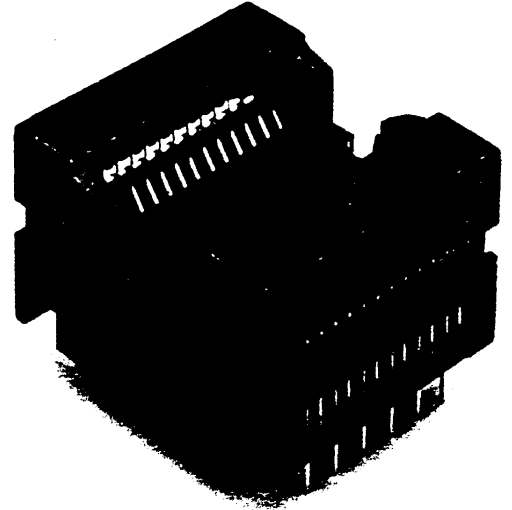
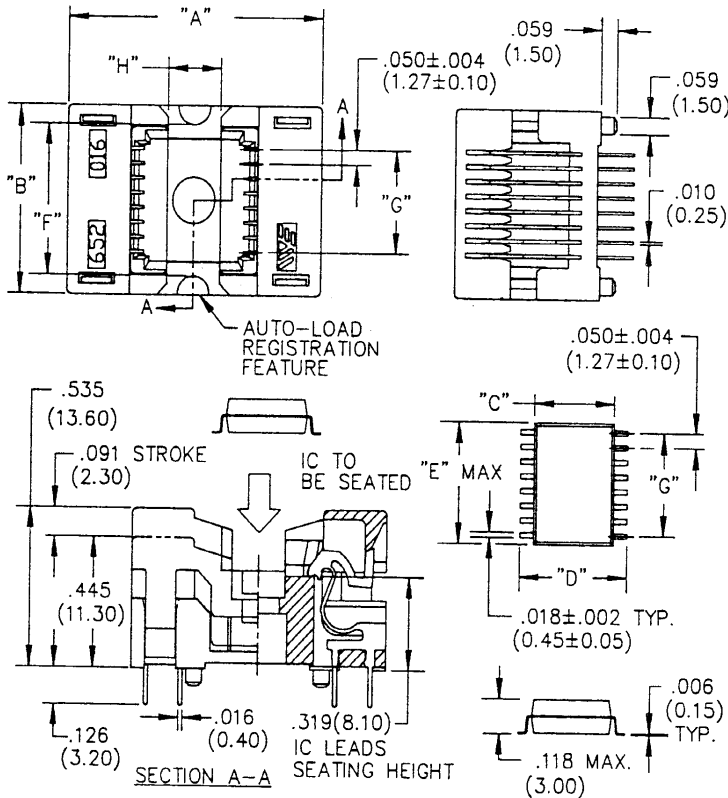
WELLS-CTI

A subsidiary of PCD Inc.

Burn-In Test Sockets

Series 652 SOP ZIF Socket

- Open top, Zero Insertion Force design for automatic loading.
- Compact size for high board density.
- High reliability, pre-loaded contacts.
- For burn-in applications up to 150°C.



Note: Dimensions shown as inches (millimeters)

Part No.	Lead Count	A	B	C	D	E	F	G	H
652B0082211	8	.817 (20.05)	.487 (12.37)	.173 (4.40)	.252 (6.40)	.213 (5.40)	.358 (9.10)	.150 (3.81)	.098 (2.5)
652B0082211-001	8	.817 (20.05)	.487 (12.37)	.197 (5.00)	.268 (6.80)	.213 (5.40)	.358 (9.10)	.150 (3.81)	.098 (2.5)
652B0082211-002	8	.817 (20.05)	.487 (12.37)	.154 (3.90)	.236 (6.00)	.213 (5.40)	.358 (9.10)	.150 (3.81)	.098 (2.5)
652B0142211	14	.817 (20.05)	.637 (16.18)	.173 (4.40)	.252 (6.40)	.413 (10.48)	.508 (12.91)	.300 (7.62)	.098 (2.5)
652B0142211-001	14	.817 (20.05)	.637 (16.18)	.197 (5.00)	.268 (6.80)	.413 (10.48)	.508 (12.91)	.300 (7.62)	.098 (2.5)
652B0142211-002	14	.817 (20.05)	.637 (16.18)	.154 (3.90)	.236 (6.00)	.413 (10.48)	.508 (12.91)	.300 (7.62)	.098 (2.5)
652B0162211	16	.817 (20.05)	.687 (17.45)	.173 (4.40)	.252 (6.40)	.413 (10.48)	.558 (14.18)	.350 (8.89)	.098 (2.5)
652B0162211-001	16	.817 (20.05)	.687 (17.45)	.197 (5.00)	.268 (6.80)	.413 (10.48)	.558 (14.18)	.350 (8.89)	.098 (2.5)
652B0162211-002	16	.817 (20.05)	.687 (17.45)	.154 (3.90)	.236 (6.00)	.413 (10.48)	.558 (14.18)	.350 (8.89)	.098 (2.5)
652-0162211-001	16	.945 (24.00)	.642 (16.32)	.299 (7.60)	.402 (10.20)	.413 (10.50)	.514 (13.05)	.350 (8.89)	.197 (5.0)
652D0162211-202	16	.957 (24.30)	.643 (16.32)	.295 (7.50)	.409 (10.40)	.413 (10.50)	.514 (13.05)	.350 (8.89)	.197 (5.0)
652E0182211	18	1.020 (25.90)	.711 (18.05)	.346 (8.80)	.466 (11.83)	.484 (12.30)	.582 (14.78)	.400 (10.16)	.197 (5.0)
652D0202211	20	.957 (24.30)	.743 (18.86)	.297 (7.55)	.409 (10.40)	.516 (13.11)	.614 (15.59)	.450 (11.43)	.197 (5.0)
652D0242211	24	.957 (24.30)	.843 (21.40)	.297 (7.55)	.412 (10.47)	.616 (15.65)	.714 (18.13)	.550 (13.97)	.197 (5.0)
652-0242211-001	24	.945 (24.00)	.842 (21.40)	.299 (7.60)	.402 (10.20)	.614 (15.60)	.714 (18.13)	.550 (13.97)	.197 (5.0)
652D0282211	28	.957 (24.30)	.943 (23.94)	.297 (7.55)	.412 (10.47)	.716 (18.19)	.812 (20.63)	.650 (16.51)	.197 (5.0)
652E0282211	28	1.020 (25.90)	.961 (24.40)	.331 (8.40)	.466 (11.83)	.734 (18.65)	.832 (21.13)	.650 (16.51)	.197 (5.0)
652E0282211-001	28	1.020 (25.90)	.961 (24.40)	.331 (8.40)	.465 (11.80)	.709 (18.00)	.832 (21.13)	.650 (16.51)	.197 (5.0)
652D0322211	32	.957 (24.30)	1.043 (26.48)	.297 (7.55)	.416 (10.57)	.816 (20.73)	.912 (23.17)	.750 (19.05)	.197 (5.0)
652F0322211	32	1.102 (28.00)	1.043 (26.50)	.433 (11.00)	.553 (14.04)	.821 (20.85)	.915 (23.23)	.750 (19.05)	.197 (5.0)
652F0402211	40	1.102 (28.00)	1.243 (31.58)	.421 (10.70)	.553 (14.04)	1.030 (26.15)	1.115 (28.31)	.950 (24.13)	.197 (5.0)
652G0442211	44	1.181 (30.00)	1.350 (34.30)	.496 (12.60)	.631 (16.04)	1.122 (28.50)	1.222 (31.03)	1.050 (26.67)	.197 (5.0)
652G0442211-001	44	1.181 (30.00)	1.350 (34.30)	.496 (12.60)	.631 (16.04)	1.122 (28.50)	1.222 (31.03)	1.050 (26.67)	.197 (5.0)

