

# Minitek™ SHROUDED VERTICAL HEADERS 2.00 mm (.079")



- 4-wall design prevents mis-mating
- Selective plating
- Co-planarity 0.1 (SMT)

## TECHNICAL DATA

### Physical

- Housing: High temperature, cream-colored thermoplastic
- Flammability rating: UL 94 V-0
- Pin: Phosphor-bronze
- Plating: Gold over 1.27 μm (50 μ") nickel



### Electrical Performance

- Current rating: 2 A continuous
- Insulation resistance: 1000 MΩ min.
- Contact resistance: 25 mΩ max.
- Dielectric withstanding voltage: 650 V
- Voltage rating: 200 V

### Mechanical Performance

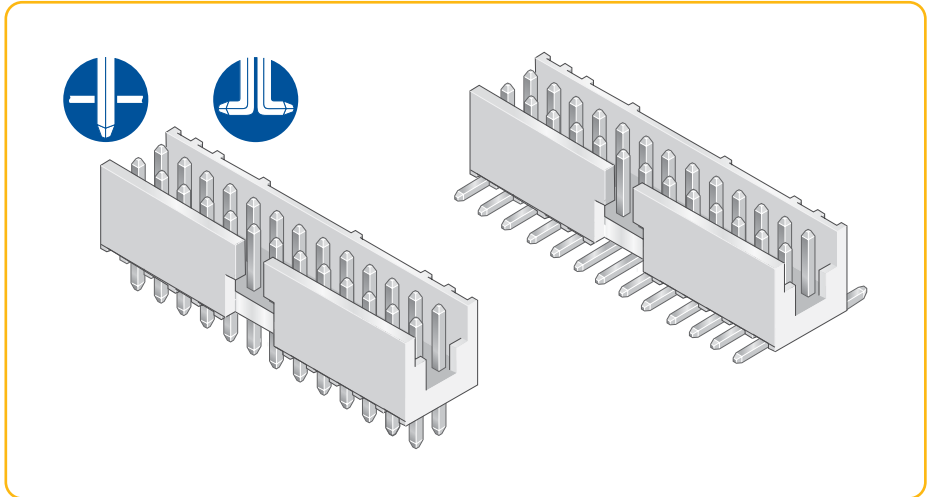
- Mating cycles (durability): 100

### Operating Temperature Range

- 40°C to +125°C

### Packaging

- Standard: TMT in Tubes (04 to 06 pos. packed in box)  
SMT in Tape-and-reel
- Optional: SMT in Tubes (04 and 06 in box)



### Reference Information

- File no. E66906
  - File no. LR46923
  - Product drawing: 98414 or 98424
  - Product specification: DPS-12-011 and GS-12-163
  - Tape and Reel packaging data TA-884
- Specifications subject to change without notice.

### PROCESSING INFORMATION

Compatible with wave, vapor-phase, and IR reflow soldering processes

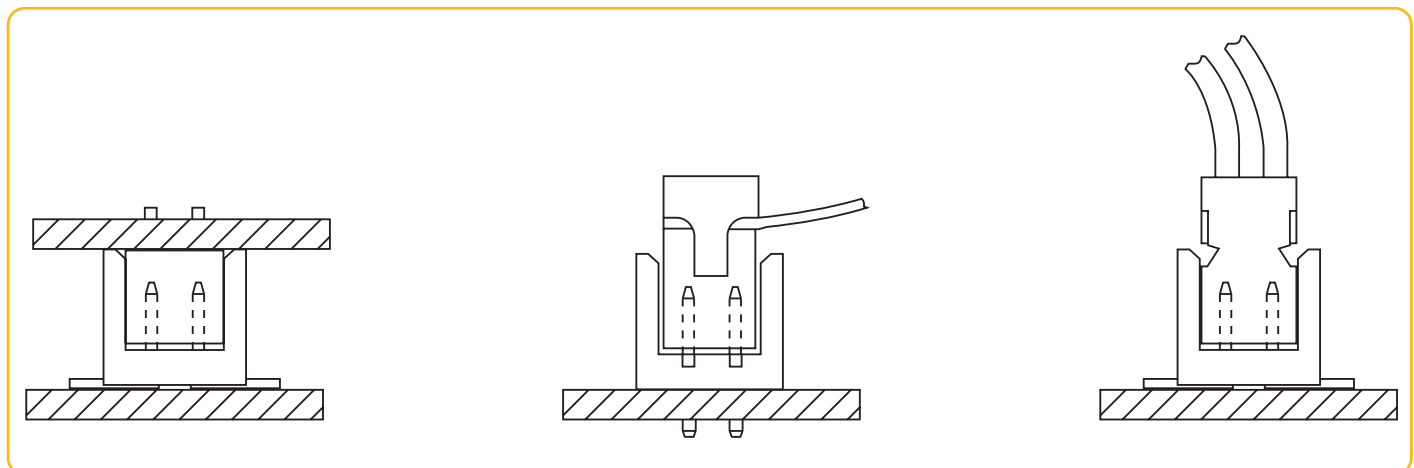
### RoHs INFORMATION

This product is RoHs compatible according to the European Union Directive 2002/95/IEC

### MATING DATA

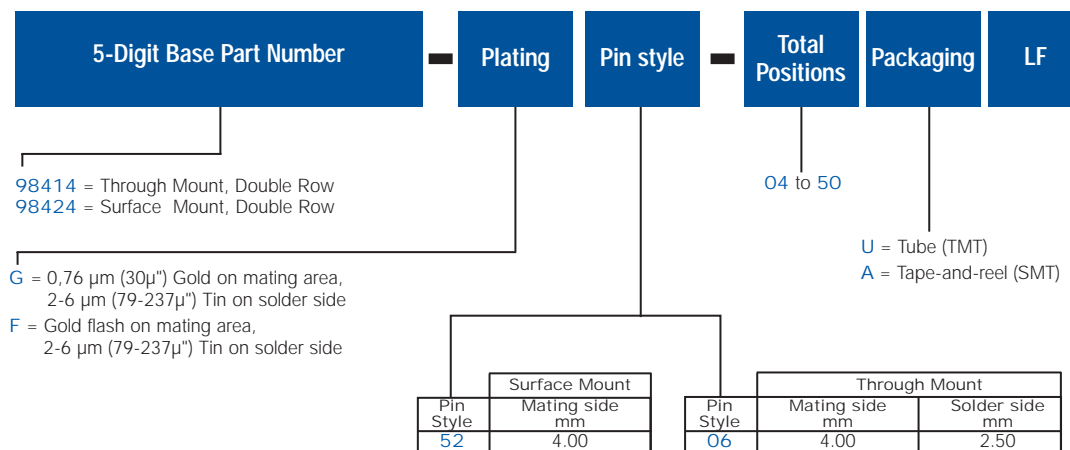
- Minitek™ ctw contacts and housings 68
- Minitek™ Vertical receptacles 60
- Minitek™ Shunts 62
- Minitek™ IDC receptacles 70

## TYPICAL APPLICATIONS



2.00 mm (.079")

## PART NUMBER

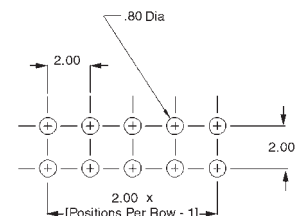


98424 - G 52 - XX ALF  
XX = 04, 06, 08, 10, 12, 16, 20

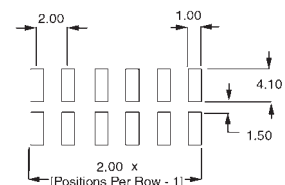
**CORE RANGE**

98424 - G 52 - Total Positions ALF

**PRIORITY PART**



Recommended PCB Layout



Recommended PCB Layout

