

IS24C32-2/3

IS24C64-2/3



65,536-bit/32,768-bit 2-WIRE SERIAL CMOS EEPROM

PRELIMINARY INFORMATION
MARCH 2000

FEATURES

- Low Power CMOS Technology
 - Standby Current less than 2 μ A (5.5V)
 - Read Current (typical) less than 1 mA (5.5V)
 - Write Current (typical) less than 3 mA (5.5V)
- Low Voltage Operation
 - IS24C64-2 & IS24C32-2: Vcc = 1.8V to 5.5V
 - IS24C64-3 & IS24C32-3: Vcc = 2.5V to 5.5V
- 100 KHz (1.8V) and 400 KHz (5V) Compatibility
- Hardware Data Protection
 - Write Protect Pin
- Sequential Read Feature
- Filtered Inputs for Noise Suppression
- 8-pin PDIP and 8-pin SOIC packages
- Self time write cycle with auto clear
 - 5 ms @ 2.5V
- Organization:
 - IS24C64-2 and IS24C64-3: 8192x8
 - IS24C32-2 and IS24C32-3: 4096x8
- 32-Byte Page Write Buffer
- Two-Wire Serial Interface
 - Bi-directional data transfer protocol
- High Reliability
 - Endurance: 1,000,000 Cycles
 - Data Retention: 100 Years
- Commercial and Industrial temperature ranges

PRODUCT OFFERING OVERVIEW

| Part No | Voltage | Speed | Standby ICC | Read ICC | Write ICC | Temperature |
|-----------|-----------|---------|-------------|----------|-----------|-------------|
| IS24C64-2 | 1.8V-5.5V | 100 KHz | < 2 μ A | 1 mA | 3 mA | C,I |
| IS24C64-3 | 2.5V-5.5V | 400 KHz | < 2 μ A | 1 mA | 3 mA | C,I |
| IS24C32-2 | 1.8V-5.5V | 100 KHz | < 2 μ A | 1 mA | 3 mA | C,I |
| IS24C32-3 | 2.5V-5.5V | 400 KHz | < 2 μ A | 1 mA | 3 mA | C,I |

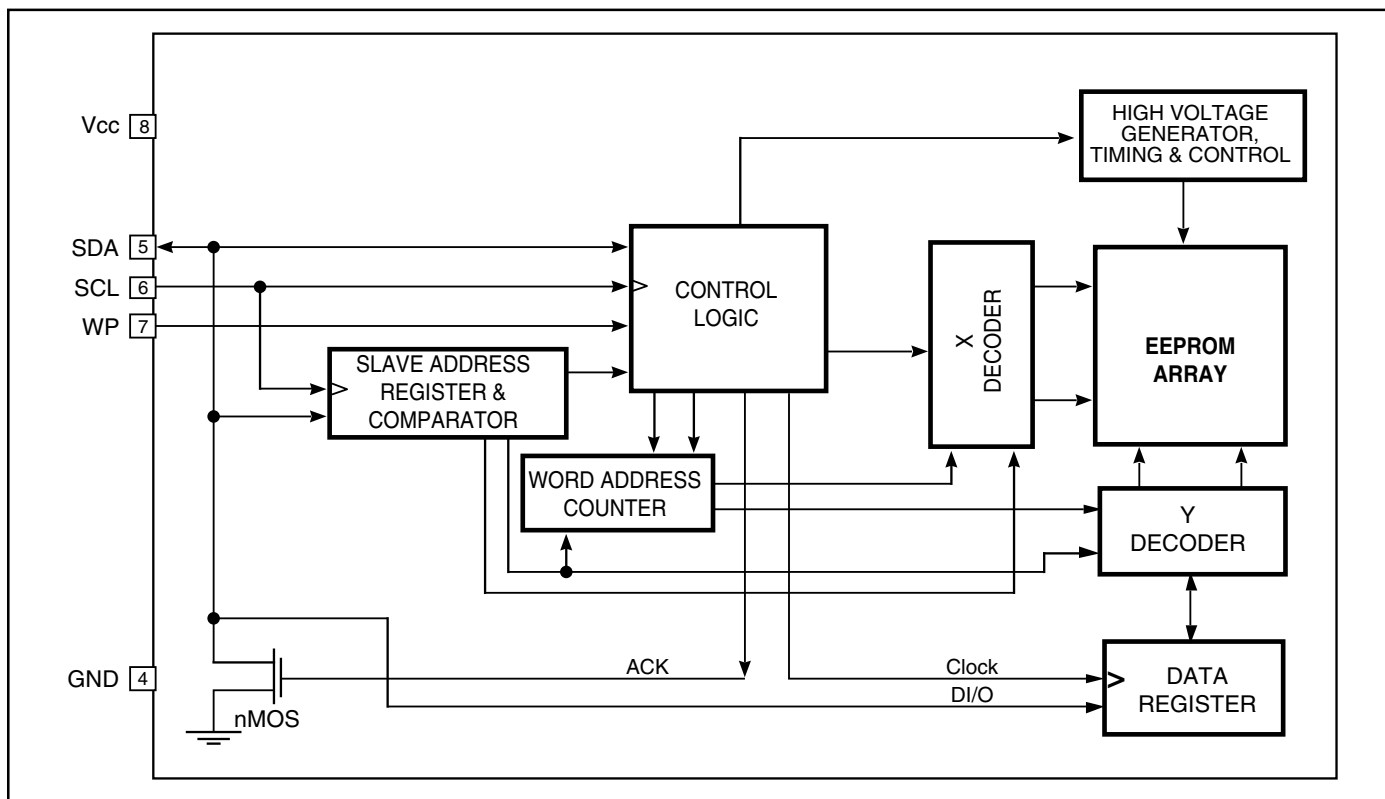
DESCRIPTION

The IS24C64-2 is a 1.8V (1.8V-5.5V) 64K-bit (8192 x 8) Electrically Erasable PROM, IS24C64-3 is a 2.5V (2.5V-5.5V) 64K-bit (8192 x 8) Electrically Erasable PROM, IS24C32-2 is a 1.8V (1.8V-5.5V) 32K-bit (4096 x 8) Electrically Erasable PROM and the IS24C32-3 is a 2.5V (2.5V-5.5V) 32K-bit (4096 x 8) Electrically Erasable PROM.

The IS24CXX (IS24C64-2, IS24C64-3, IS24C32-2 and IS24C32-3) family is a low-cost and low voltage 2-wire Serial EEPROM. It is fabricated using ISSI's advanced CMOS EEPROM technology and provides a low power and low voltage operation. The IS24CXX family features a write protection feature, and is available in 8-pin DIP and 8-pin SOIC packages.

This document contains PRELIMINARY INFORMATION data. ISSI reserves the right to make changes to its products at any time without notice in order to improve design and supply the best possible product. We assume no responsibility for any errors which may appear in this publication. © Copyright 1999, Integrated Silicon Solution, Inc.

FUNCTIONAL BLOCK DIAGRAM



PIN DESCRIPTIONS

| | |
|-------|-------------------------|
| A0-A2 | Address Inputs |
| SDA | Serial Address/Data I/O |
| SCL | Serial Clock Input |
| WP | Write Protect Input |
| Vcc | Power Supply |
| GND | Ground |

SCL

This input clock pin is used to synchronize the data transfer to and from the device.

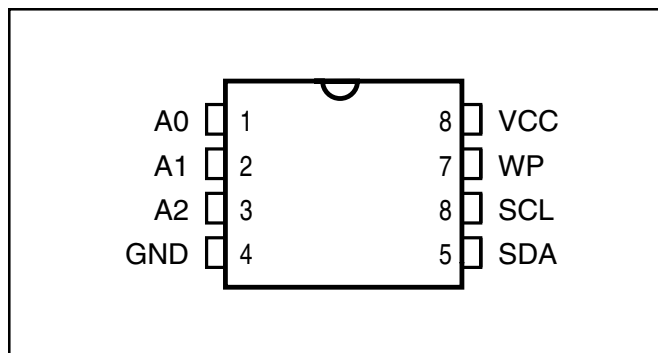
SDA

The SDA is a Bi-directional pin used to transfer addresses and data into and out of the device. The SDA pin is an open drain output and can be wire-Or'ed with other open drain or open collector outputs. The SDA bus *requires* a pullup resistor to Vcc.

A0, A1, A2

The A0, A1 and A2 are the device address inputs that are hardwired or left not connected for hardware compatibility

**PIN CONFIGURATION
8-Pin DIP and SOIC**



with the 24C16. When pins are hardwired, as many as eight 32K/64K devices may be addressed on a single bus system. When the pins are not hardwired, the default A0, A1, and A2 are zero..

WP

WP is the Write Protect pin. If the WP pin is tied to Vcc the upper half array becomes Write Protected (Read only). When WP is tied to GND or left floating normal read/write operations are allowed to the device.

DEVICE OPERATION

The IS24CXX family features a serial communication and supports a bi-directional 2-wire bus transmission protocol.

2-WIRE BUS

The two-wire bus is defined as a Serial Data line (SDA), and a Serial Clock Line (SCL). The protocol defines any device that sends data onto the SDA bus as a transmitter, and the receiving devices as a receiver. The bus is controlled by MASTER device which generates the SCL, controls the bus access and generates the STOP and START conditions. The IS24CXX is the SLAVE device on the bus.

The Bus Protocol:

- Data transfer may be initiated only when the bus is not busy
- During a data transfer, the data line must remain stable whenever the clock line is high. Any changes in the data line while the clock line is high will be interpreted as a START or STOP condition.

The state of the data line represents valid data when after a START condition, the data line is stable for the duration of the HIGH period of the clock signal. The data on the SDA line may be changed during the LOW period of the clock signal. There is one clock pulse per bit of data. Each data transfer is initiated with a START condition and terminated with a STOP condition.

START Condition

The START condition precedes all commands to the device and is defined as a HIGH to LOW transition of SDA when SCL is HIGH. The IS24CXX monitors the SDA and SCL lines and will not respond until the START condition is met.

STOP Condition

The STOP condition is defined as a LOW to HIGH transition of SDA when SCL is HIGH. All operations must end with a STOP condition.

ACKnowledge

After a successful data transfer, each receiving device is required to generate an acknowledge. The Acknowledging device pulls down the SDA line.

DEVICE ADDRESSING

The MASTER begins a transmission by sending a START condition. The MASTER then sends the address of the particular slave device it is requesting. The SLAVE (Fig. 5) address is 8 bits.

The four most significant bits of the address are fixed as 1010 for the IS24CXX.

The 32K/64K uses the three device address bits A2, A1, A0 to allow as many as eight devices on the same bus.

These bits must compare to their corresponding hardwired input pins. The A2, A1, and A0 pins use an internal proprietary circuit that biases them to a logic low condition if the pins are allowed to float.

The last bit of the slave address specifies whether a Read or Write operation is to be performed. When this bit is set to 1, a Read operation is selected, and when set to 0, a Write operation is selected.

After the MASTER sends a START condition and the SLAVE address byte, the IS24CXX monitors the bus and responds with an Acknowledge (on the SDA line) when its address matches the transmitted slave address. The IS24CXX pulls down the SDA line during the ninth clock cycle, signaling that it received the eight bits of data. The IS24CXX then performs a Read or Write operation depending on the state of the R/W bit.

WRITE OPERATION

Byte Write

In the Byte Write mode, the Master device sends the START condition and the slave address information (with the R/W set to Zero) to the Slave device. After the Slave generates an acknowledge, the Master sends two byte addresses that are to be written into the address pointer of the IS24CXX. After receiving another acknowledge from the Slave, the Master device transmits the data byte to be written into the address memory location. The IS24CXX acknowledges once more and the Master generates the STOP condition, at which time the device begins its internal programming cycle. While this internal cycle is in progress, the device will not respond to any request from the Master device.

Page Write

The IS24CXX is capable of 32-byte page-WRITE operation. A page-WRITE is initiated in the same manner as a byte write, but instead of terminating the internal write cycle after the first data word is transferred, the master device can transmit up to 31 more bytes. After the receipt of each data word, the IS24CXX responds immediately with an ACKnowledge on SDA line, and the five lower order data word address bits are internally incremented by one, while the five higher order bits of the data word address remain constant. If the master device should transmit more than 32 words, prior to issuing the STOP condition, the address counter will “roll over,” and the previously written data will be overwritten. Once all 32 bytes are received and the STOP condition has been sent by the Master, the internal programming cycle begins. At this point, all received data is written to the IS24CXX in a single write cycle. All inputs are disabled until completion of the internal WRITE cycle.

Acknowledge Polling

The disabling of the inputs can be used to take advantage of the typical write cycle time. Once the stop condition is issued to indicate the end of the host's write operation, the IS24CXX initiates the internal write cycle. ACK polling can be initiated immediately. This involves issuing the start condition followed by the slave address for a write operation. If the IS24CXX is still busy with the write operation, no ACK will be returned. If the IS24CXX has completed the write operation, an ACK will be returned and the host can then proceed with the next read or write operation.

READ OPERATION

READ operations are initiated in the same manner as WRITE operations, except that the read/write bit of the slave address is set to "1". There are three READ operation options: current address read, random address read and sequential read.

Current Address Read

The IS24CXX contains an internal address counter which maintains the address of the last byte accessed, incremented by one. For example, if the previous operation is either a read or write operation addressed to the address location n , the internal address counter would increment to address location $n+1$. When the IS24CXX receives the Device Addressing Byte with a READ operation (read/write bit set to "1"), it will respond an ACKnowledge and transmit the 8-bit data word stored at address location $n+1$. The master will not acknowledge the transfer but does generate a STOP condition and the IS24CXX discontinues transmission. If 'n' is the last byte of the memory, then the data from location '0' will be transmitted. (Refer to Figure 8. Current Address Read Diagram.)

Random Access Read

Selective READ operations allow the Master device to select at random any memory location for a READ operation. The Master device first performs a 'dummy' write operation by sending the START condition, slave address and word address of the location it wishes to read. After the IS24CXX acknowledge the word address, the Master device resends the START condition and the slave address, this time with the R/\overline{W} bit set to one. The IS24CXX then responds with its acknowledge and sends the data requested. The master device does not send an acknowledge but will generate a STOP condition. (Refer to Figure 9. Random Address Read Diagram.)

Sequential Read

Sequential Reads can be initiated as either a Current Address Read or Random Address Read. After the IS24CXX sends initial byte sequence, the master device now responds with an ACKnowledge indicating it requires additional data from the IS24CXX. The IS24CXX continues to output data for each ACKnowledge received. The master device terminates the sequential READ operation by pulling SDA HIGH (no ACKnowledge) indicating the last data word to be read, followed by a STOP condition.

The data output is sequential, with the data from address n followed by the data from address $n+1$, ... etc. The address counter increments by one automatically, allowing the entire memory contents to be serially read during sequential read operation. When the memory address boundary (8191 for IS24C64-2 and IS24C64-3; 4095 for IS24C32-2 and IS24C32-3) is reached, the address counter "rolls over" to address 0, and the IS24CXX-2 continues to output data for each ACKnowledge received. (Refer to Figure 10. Sequential Read Operation Starting with a Random Address READ Diagram.)

Figure 1. Typical System Bus Configuration

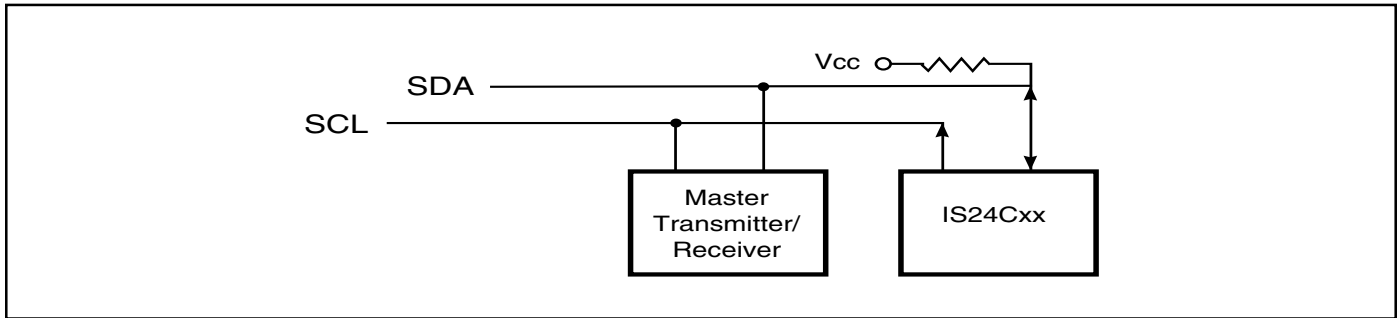


Figure 2. Output Acknowledge

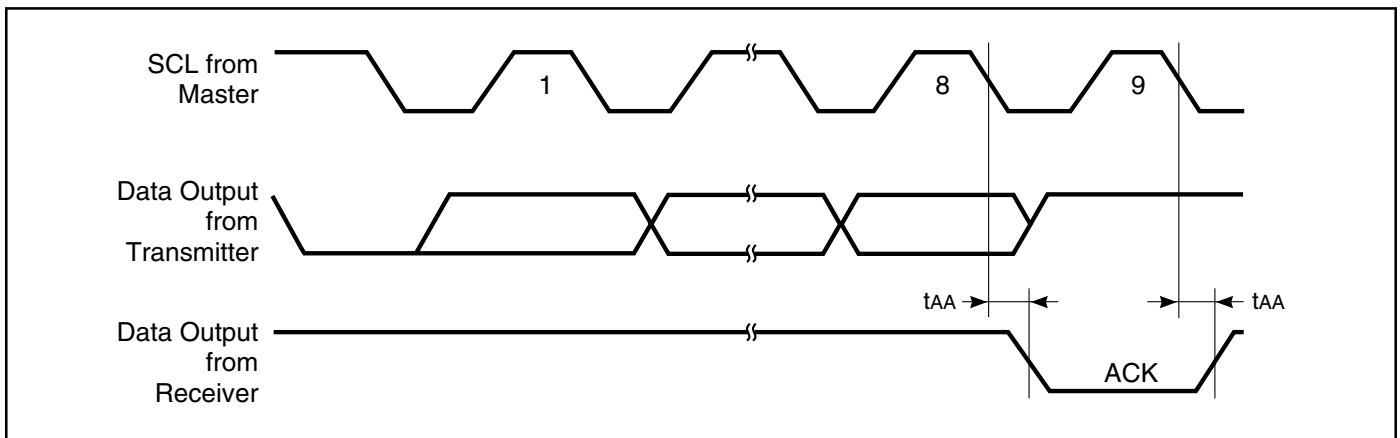


Figure 3. START and STOP Conditions

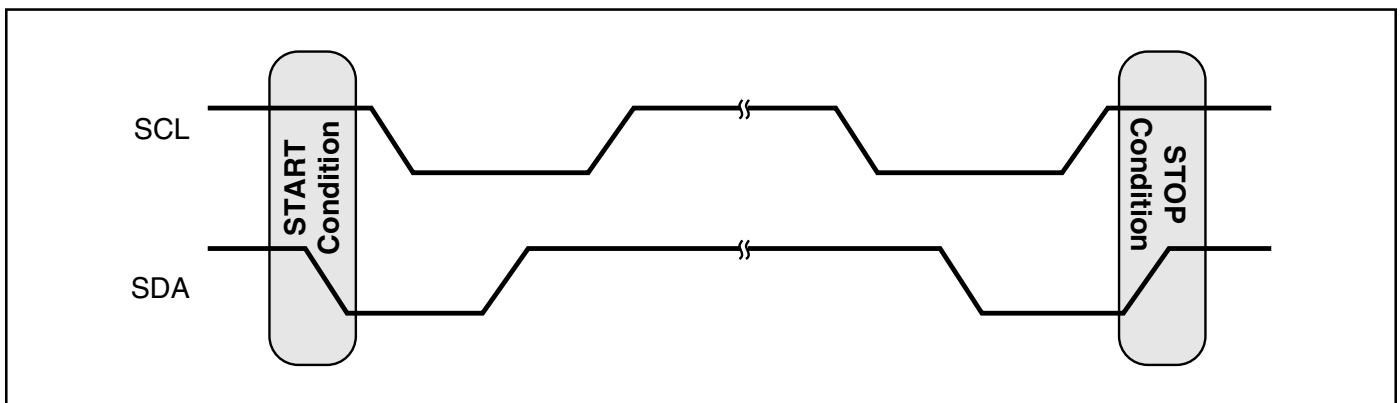


Figure 4. Data Validity Protocol

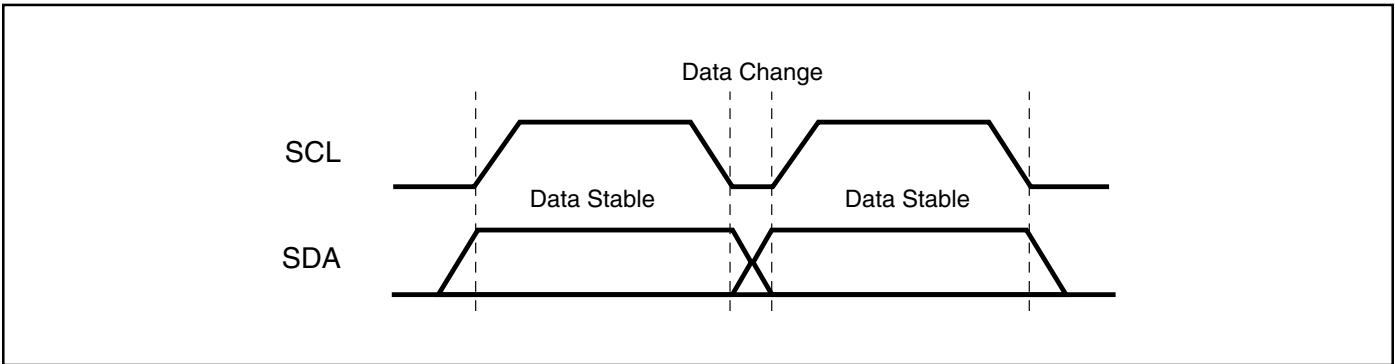


Figure 5. Slave Address

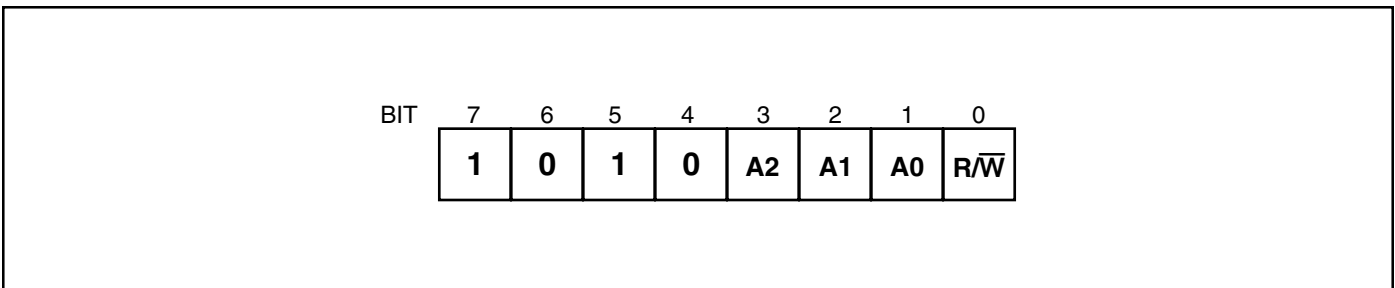


Figure 6. Byte Write

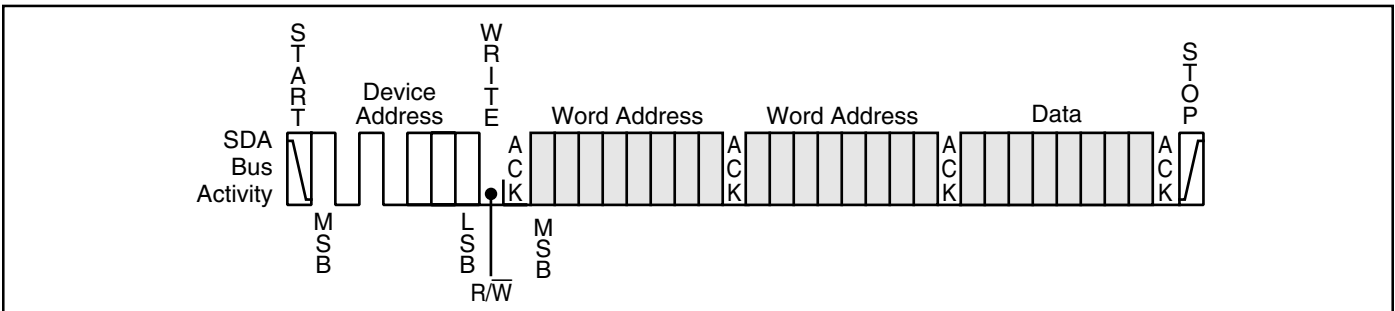


Figure 7. Page Write

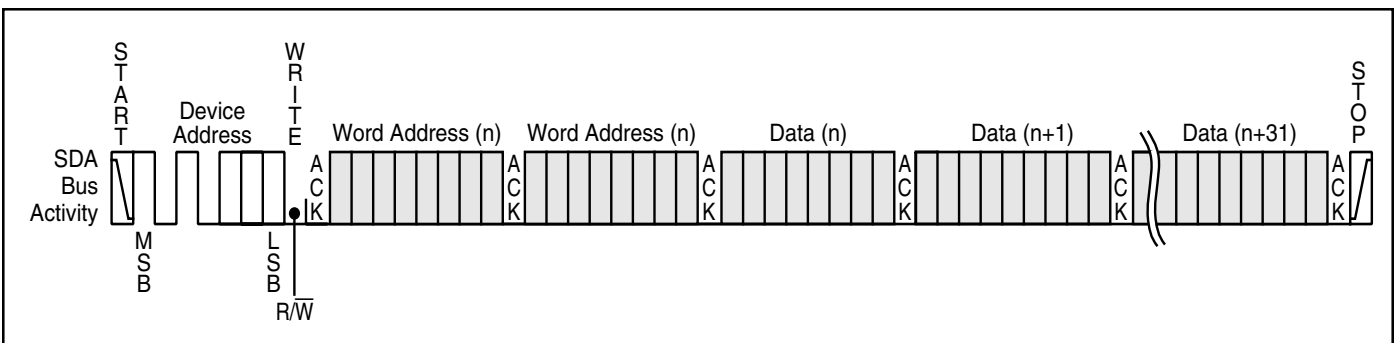


Figure 8. Current Access Read

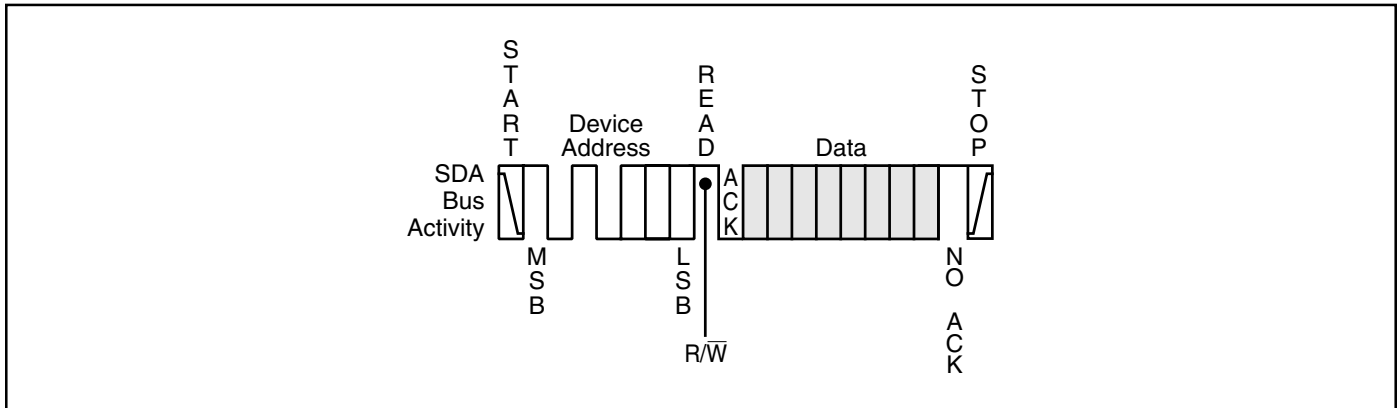


Figure 9. Random Access Read

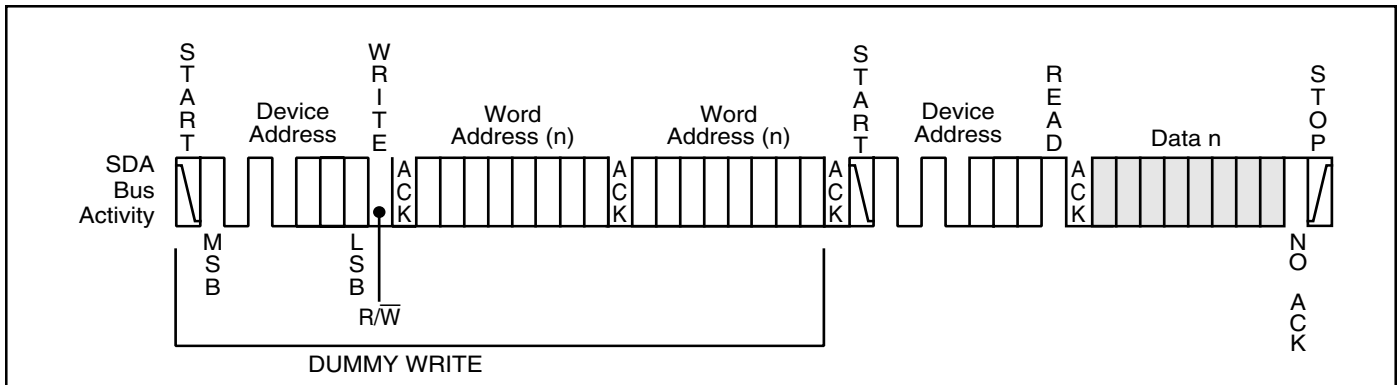
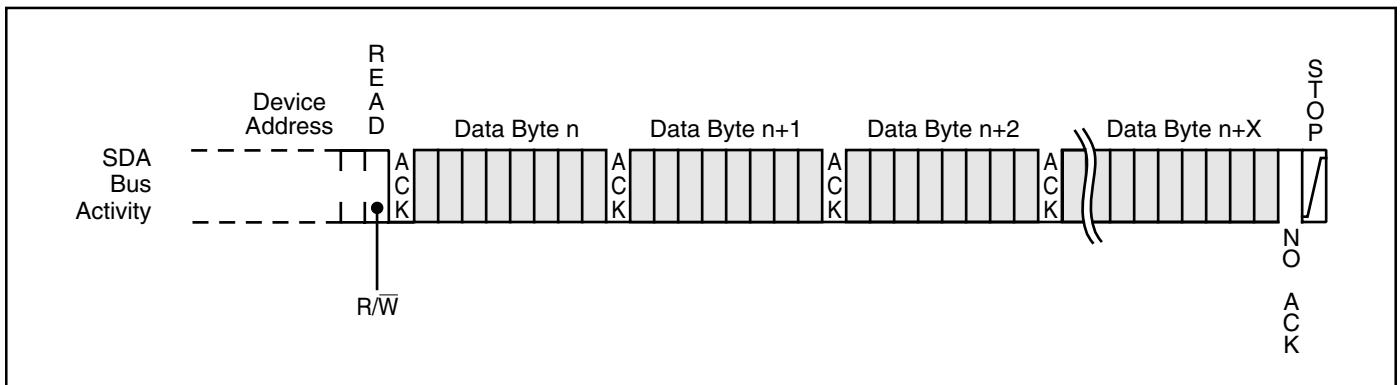


Figure 10. Sequential Read



ABSOLUTE MAXIMUM RATINGS⁽¹⁾

| Symbol | Parameter | Value | Unit |
|-------------------|------------------------|-------------------------------|------|
| V _S | Supply Voltage | 0.5 to +6.25 | V |
| V _P | Voltage on Any Pin | -0.5 to V _{CC} + 0.5 | V |
| T _{BIAS} | Temperature Under Bias | -40 to +85 | °C |
| T _{STG} | Storage Temperature | -65 to +150 | °C |
| I _{OUT} | Output Current | 5 | mA |

Notes:

1. Stress greater than those listed under ABSOLUTE MAXIMUM RATINGS may cause permanent damage to the device. This is a stress rating only and functional operation of the device at these or any other conditions above those indicated in the operational sections of this specification is not implied. Exposure to absolute maximum rating conditions for extended periods may affect reliability.

OPERATING RANGE (IS24C64-2 and IS24C32-2)

| Range | Ambient Temperature | V _{CC} |
|------------|---------------------|-----------------|
| Commercial | 0°C to +70°C | 1.8V to 5.5V |
| Industrial | -40°C to +85°C | 1.8V to 5.5V |

OPERATING RANGE (IS24C64-3 and IS24C32-3)

| Range | Ambient Temperature | V _{CC} |
|------------|---------------------|-----------------|
| Commercial | 0°C to +70°C | 2.5V to 5.5V |
| Industrial | -40°C to +85°C | 2.5V to 5.5V |

CAPACITANCE^(1,2)

| Symbol | Parameter | Conditions | Max. | Unit |
|------------------|--------------------|-----------------------|------|------|
| C _{IN} | Input Capacitance | V _{IN} = 0V | 6 | pF |
| C _{OUT} | Output Capacitance | V _{OUT} = 0V | 8 | pF |

Notes:

1. Tested initially and after any design or process changes that may affect these parameters.
2. Test conditions: T_A = 25°C, f = 1 MHz, V_{CC} = 5.0V.

DC ELECTRICAL CHARACTERISTICS

| Symbol | Parameter | Test Conditions | Min. | Max. | Unit |
|------------------|------------------------|---|-----------------------|-----------------------|------|
| V _{OL1} | Output LOW Voltage | V _{CC} = 1.8V, I _{OL} = 0.15 mA | — | 0.2 | V |
| V _{OL2} | Output LOW Voltage | V _{CC} = 2.5V, I _{OL} = 1.0 mA | — | 0.4 | V |
| V _{IH} | Input HIGH Voltage | | V _{CC} × 0.7 | V _{CC} + 0.5 | V |
| V _{IL} | Input LOW Voltage | | -1.0 | V _{CC} × 0.3 | V |
| I _{LI} | Input Leakage Current | V _{IN} = V _{CC} max. | — | 3 | μA |
| I _{LO} | Output Leakage Current | | — | 3 | μA |

Notes: V_{IL} min and V_{IH} max are reference only and are not tested.

POWER SUPPLY CHARACTERISTICS

| Symbol | Parameter | Test Conditions | Min. | Max. | Unit |
|------------------|-----------------------------------|---|------|------|------|
| I _{CC1} | V _{CC} Operating Current | READ at 100 KHz (V _{CC} = 5V) | — | 1.0 | mA |
| I _{CC2} | V _{CC} Operating Current | WRITE at 100 KHz (V _{CC} = 5V) | — | 3.0 | mA |
| I _{SB1} | Standby Current | V _{CC} = 1.8V | — | 1.0 | μA |
| I _{SB2} | Standby Current | V _{CC} = 5.5V | — | 2.0 | μA |

AC ELECTRICAL CHARACTERISTICS

| Symbol | Parameter | Test Conditions | 1.8V-5.5V | | 2.5V-5.5V | | Unit |
|---------------------|--|--------------------------------|-----------|------|-----------|------|------|
| | | | Min. | Max. | Min. | Max. | |
| f _{SCL} | SCL Clock Frequency | | 0 | 100 | 0 | 400 | KHz |
| T | Noise Suppression Time ⁽¹⁾ | | — | 100 | — | 50 | ns |
| t _{LOW} | Clock LOW Period | | 4.7 | — | 1.2 | — | μs |
| t _{HIGH} | Clock HIGH Period | | 4 | — | 0.6 | — | μs |
| t _{BUF} | Bus Free Time Before New Transmission ⁽¹⁾ | | 4.7 | — | 1.2 | — | μs |
| t _{SU:STA} | Start Condition Setup Time | | 4.7 | — | 0.6 | — | μs |
| t _{SU:STO} | Stop Condition Setup Time | | 4.7 | — | 0.6 | — | μs |
| t _{HD:STA} | Start Condition Hold Time | | 4 | — | 0.6 | — | μs |
| t _{HD:STO} | Stop Condition Hold Time | | 4 | — | 0.6 | — | μs |
| t _{SU:DAT} | Data In Setup Time | | 200 | — | 100 | — | ns |
| t _{HD:DAT} | Data In Hold Time | | 0 | — | 0 | — | ns |
| t _{DH} | Data Out Hold Time | SCL LOW to SDA Data Out Change | 100 | — | 50 | — | ns |
| t _{AA} | Clock to Output | SCL LOW to SDA Data Out Valid | 0.1 | 4.5 | 0.1 | 0.9 | μs |
| t _R | SCL and SDA Rise Time ⁽¹⁾ | | — | 1000 | — | 300 | ns |
| t _F | SCL and SDA Fall Time ⁽¹⁾ | | — | 300 | — | 300 | ns |
| t _{WR} | Write Cycle Time | | — | 10 | — | 5 | ms |

Note:

1. This parameter is characterized but not 100% tested.

AC WAVEFORMS

Figure 11. Bus Timing

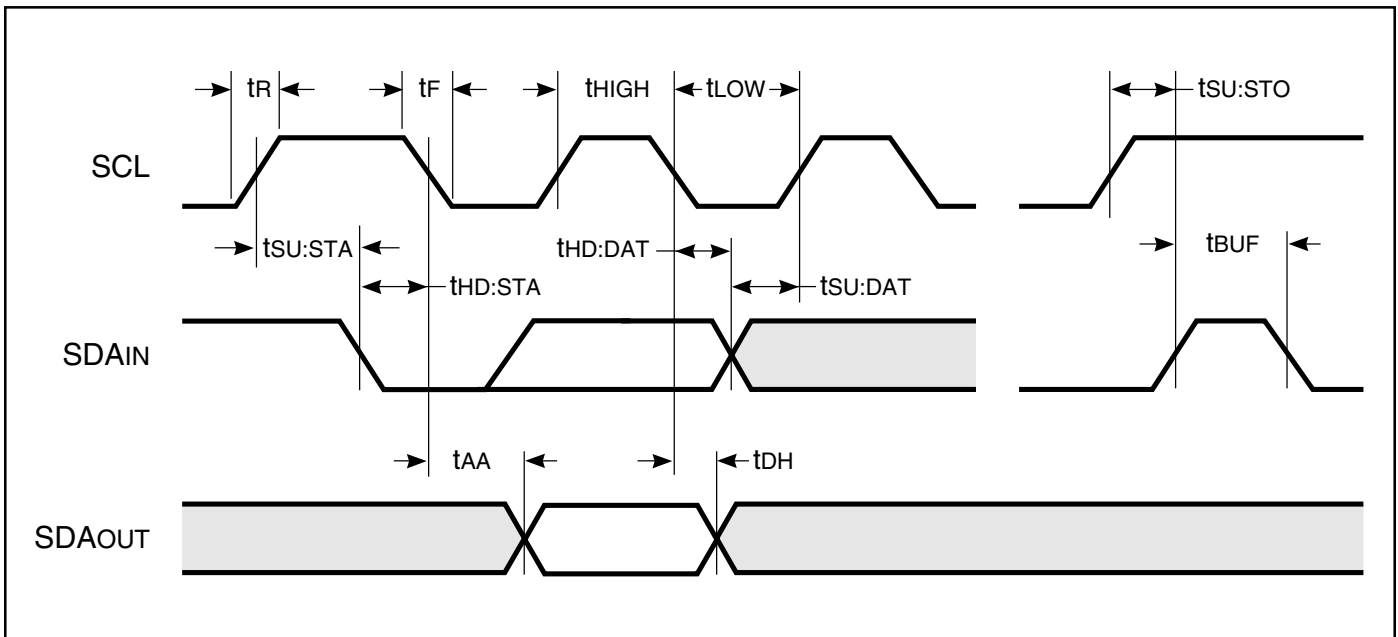
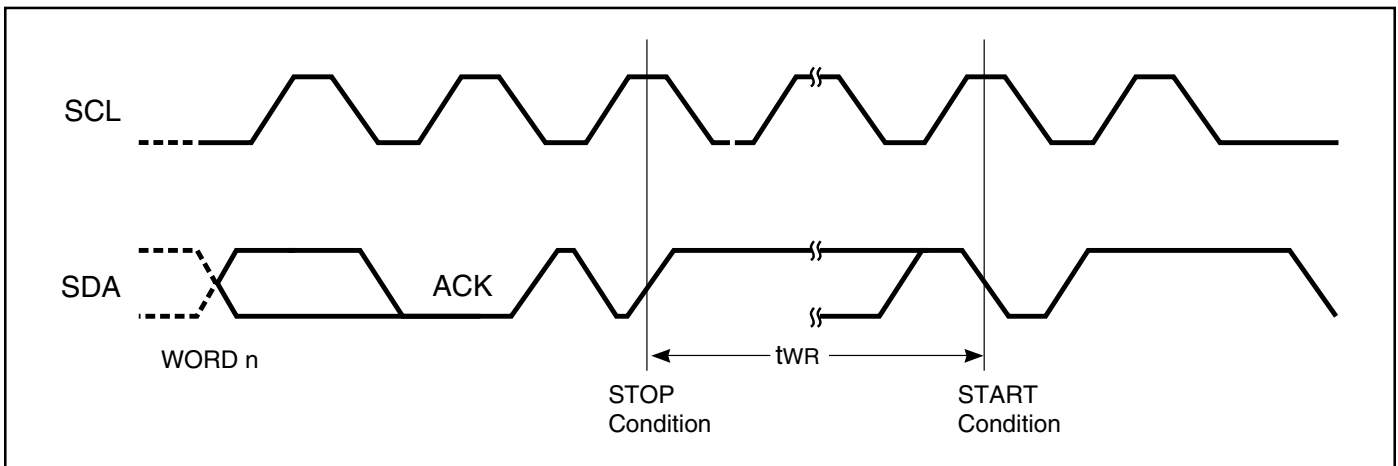


Figure 12. Write Cycle Timing



ORDERING INFORMATION

Commercial Range: 0°C to +70°C

| Frequency | Voltage Range | Part Number | Package |
|-----------|---------------|-------------|---------------------------|
| 100 KHz | 1.8V | IS24C32-2P | 300-mil Plastic DIP |
| | to 5.5V | IS24C32-2G | Small Outline (JEDEC STD) |
| 100 KHz | 1.8V | IS24C64-2P | 300-mil Plastic DIP |
| | to 5.5V | IS24C64-2G | Small Outline (JEDEC STD) |
| 400 KHz | 2.5V | IS24C32-3P | 300-mil Plastic DIP |
| | to 5.5V | IS24C32-3G | Small Outline (JEDEC STD) |
| 400 KHz | 2.5V | IS24C64-3P | 300-mil Plastic DIP |
| | to 5.5V | IS24C64-3G | Small Outline (JEDEC STD) |

ORDERING INFORMATION

Industrial Range: -40°C to +85°C

| Frequency | Voltage Range | Part Number | Package |
|-----------|---------------|-------------|---------------------------|
| 100 KHz | 1.8V | IS24C32-2PI | 300-mil Plastic DIP |
| | to 5.5V | IS24C32-2GI | Small Outline (JEDEC STD) |
| 100 KHz | 1.8V | IS24C64-2PI | 300-mil Plastic DIP |
| | to 5.5V | IS24C64-2GI | Small Outline (JEDEC STD) |
| 400 KHz | 2.5V | IS24C32-3PI | 300-mil Plastic DIP |
| | to 5.5V | IS24C32-3GI | Small Outline (JEDEC STD) |
| 400 KHz | 2.5V | IS24C64-3PI | 300-mil Plastic DIP |
| | to 5.5V | IS24C64-3GI | Small Outline (JEDEC STD) |
