

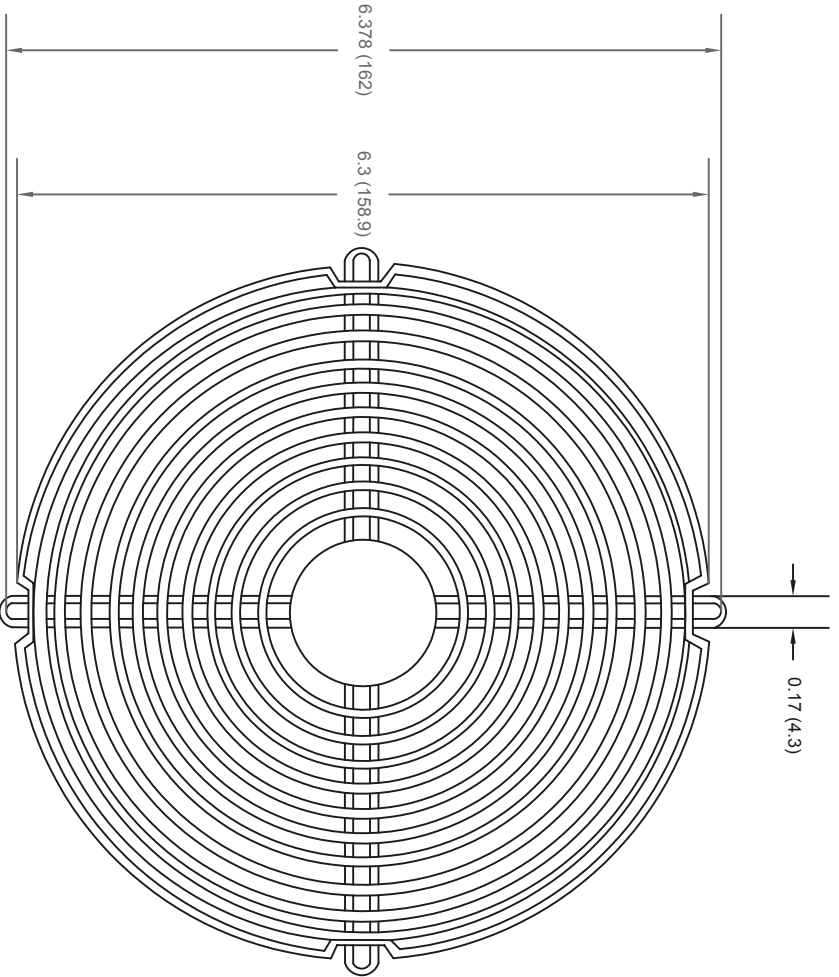
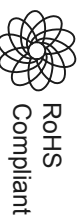
ALL RIGHTS RESERVED. NO PORTION OF THIS PUBLICATION, WHETHER IN WHOLE OR IN PART CAN BE REPRODUCED WITHOUT THE EXPRESS WRITTEN CONSENT OF SPC TECHNOLOGY.

SPC-F005.DWG

REVISIONS

DCP #	REV	DESCRIPTION	DRAWN	DATE	CHECKD	DATE	APPRVD	DATE
			SHA	25-10-10	JAG	25-10-10	XXX	08-11-10

DOC. NO. SPC-F005 * Effective: 7/8/02 * DCP No: 1398

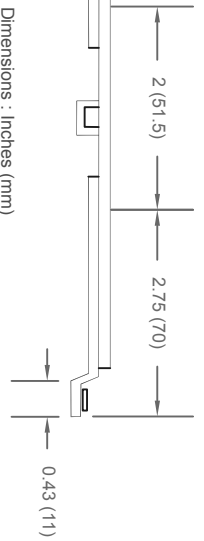


Notes:

- Material : C1008 Steel
- Plating : Bright Nickel Chrome
- Ring Diameter : 1.5mm
- Rib Diameter : 2.0mm
- Disc T : 1.0mm

Part Number Table

Description	Part Number
EMI/RFI Fan Filter	MC32656



Dimensions : Inches (mm)

TOLERANCES:

UNLESS OTHERWISE SPECIFIED, DIMENSIONS ARE FOR REFERENCE PURPOSES ONLY.

DISCLAIMER:

ALL STATEMENTS AND TECHNICAL INFORMATION CONTAINED HEREIN ARE BASED UPON INFORMATION AND/OR TESTS WE BELIEVE TO BE ACCURATE AND RELIABLE. SINCE CONDITIONS OF USE ARE BEYOND OUR CONTROL, THE USER SHALL DETERMINE THE SUITABILITY OF THE PRODUCT FOR THE INTENDED USE AND ASSUME ALL RISK AND LIABILITY WHATSOEVER IN CONNECTION THEREWITH.

DRAWN BY:	DATE:
SHA	25-10-10
CHECKED BY:	DATE:
JAG	25-10-10
APPROVED BY:	DATE:
XXX	08-11-10

DRAWING TITLE:		ELECTRONIC FILE	
EMI/RFI Fan Filter		56P2933	
SIZE	DWG. NO.	REV	
A	MC32656	A	
SCALE:	U.O.M.: Millimeters	SHEET:	1 OF 1
NTS			