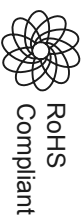
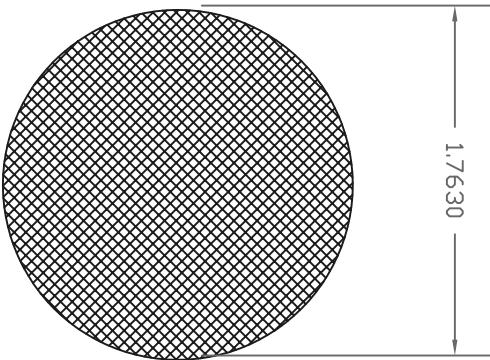
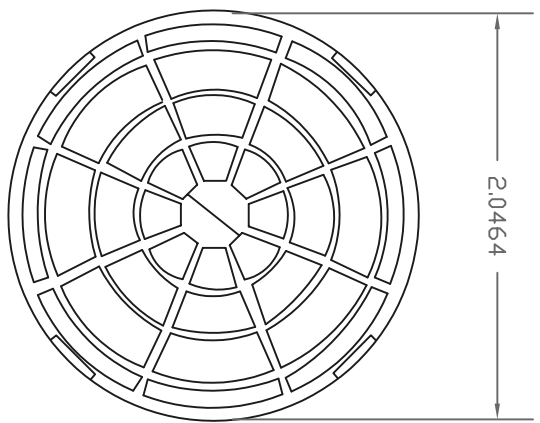
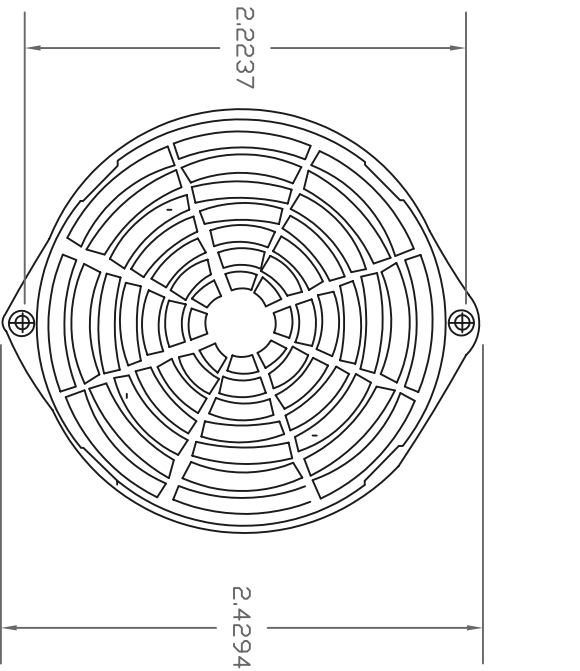


ALL RIGHTS RESERVED. NO PORTION OF THIS PUBLICATION, WHETHER IN WHOLE OR IN PART CAN BE REPRODUCED WITHOUT THE EXPRESS WRITTEN CONSENT OF SPC TECHNOLOGY.

SPC-F005.DWG

REVISIONS		DOC. NO.	SPC-F005		* Effective: 7/8/02		* DCP No: 1398	
DCP #	REV	DESCRIPTION	DRAWN	DATE	CHECKD	DATE	APPRVD	DATE
			JAG	25-10-10	M/RD	25-10-10	XXX	02-11-10



Dimensions : Inches (mm)

Notes:

Material : Plastic UL94V-0
Media : Polyurethane Foam UL94H-1

Part Number Table

Description	Pores per inch	Part Number
Plastic Fan Filter Assembly	45	MCC32676
Plastic Fan Filter Assembly	60	MCC32677

DISCLAIMER:

ALL STATEMENTS AND TECHNICAL INFORMATION CONTAINED HEREIN ARE BASED UPON INFORMATION AND/OR TESTS WE BELIEVE TO BE ACCURATE AND RELIABLE. SINCE CONDITIONS OF USE ARE BEYOND OUR CONTROL, THE USER SHALL DETERMINE THE SUITABILITY OF THE PRODUCT FOR THE INTENDED USE AND ASSUME ALL RISK AND LIABILITY WHATSOEVER IN CONNECTION THEREWITH.

TOLERANCES:

UNLESS OTHERWISE SPECIFIED, DIMENSIONS ARE FOR REFERENCE PURPOSES ONLY.

DRAWN BY:	JAG	DATE:	25-10-10
CHECKED BY:	MRD	DATE:	25-10-10
APPROVED BY:	XXX	DATE:	02-11-10

DRAWING TITLE:

Plastic Fan Filter Assembly

SIZE:	A	DWG. NO.:	TA-1089	ELECTRONIC FILE:	56P2952	REV:	A
SCALE:	NTS	U.O.M.:	Millimeters	SHEET:	1	OF:	1