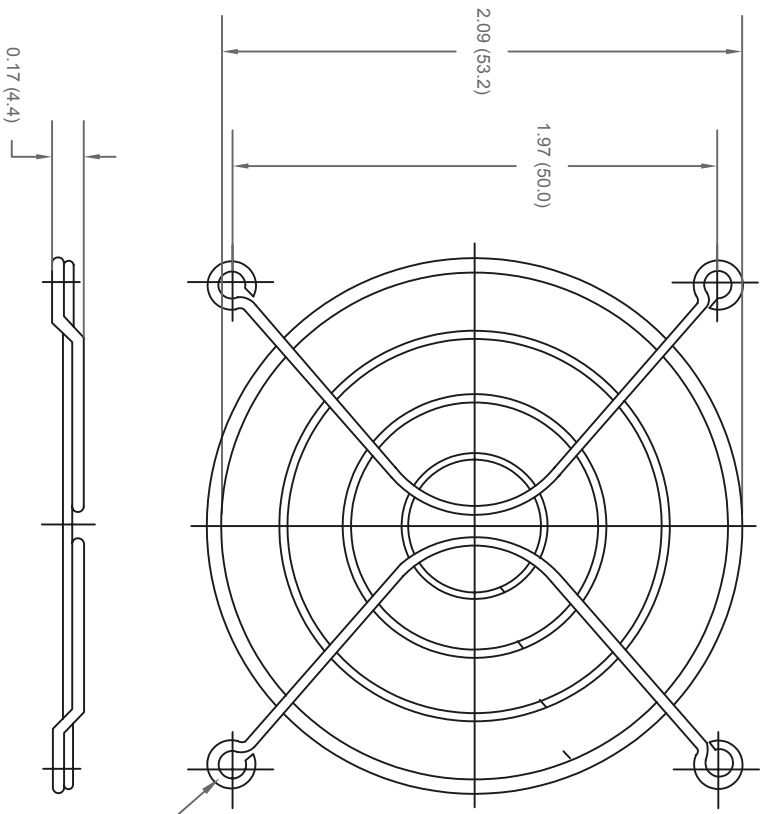


ALL RIGHTS RESERVED. NO PORTION OF THIS PUBLICATION, WHETHER IN WHOLE OR IN PART CAN BE REPRODUCED WITHOUT THE EXPRESS WRITTEN CONSENT OF SPC TECHNOLOGY.

SPC-F005.DWG

REVISIONS		DCP NO.	SPC-F005	* Effective:	7/8/02	* DCP No:	1398	
DCP #	REV	DESCRIPTION	DRAWN	DATE	CHECKD	DATE	APPRVD	DATE
			VEE	19-10-10	JAG	19-10-10	XXX	02-11-10



0.181 Diameter (4.6)  
4 Positions

- Notes:**
- Material : C1008 Steel
  - Plating : Bright nickel chrome
  - Ring Diameter : 1.6mm
  - Rib Diameter : 1.6mm

**Part Number Table**

Description	Part Number
Wire Fan Guard	MC32696

Dimensions : Inches (mm)

**TOLERANCES:**

UNLESS OTHERWISE SPECIFIED, DIMENSIONS ARE FOR REFERENCE PURPOSES ONLY.

**DISCLAIMER:**  
ALL STATEMENTS AND TECHNICAL INFORMATION CONTAINED HEREIN ARE BASED UPON INFORMATION AND/OR TESTS WE BELIEVE TO BE ACCURATE AND RELIABLE. SINCE CONDITIONS OF USE ARE BEYOND OUR CONTROL, THE USER SHALL DETERMINE THE SUITABILITY OF THE PRODUCT FOR THE INTENDED USE AND ASSUME ALL RISK AND LIABILITY WHATSOEVER IN CONNECTION THEREWITH.

**DRAWN BY:** VEE **DATE:** 19-10-10

**CHECKED BY:** JAG **DATE:** 19-10-10

**APPROVED BY:** XXX **DATE:** 02-11-10

**DRAWING TITLE:**

**Wire Fan Guard**

**SIZE:** A **DWG. NO.:** MC32696

**SCALE:** NTS

**ELECTRONIC FILE:** 56P2972

**SCALE:** NTS

**SHEET:** 1 OF 1

**REV:** A