

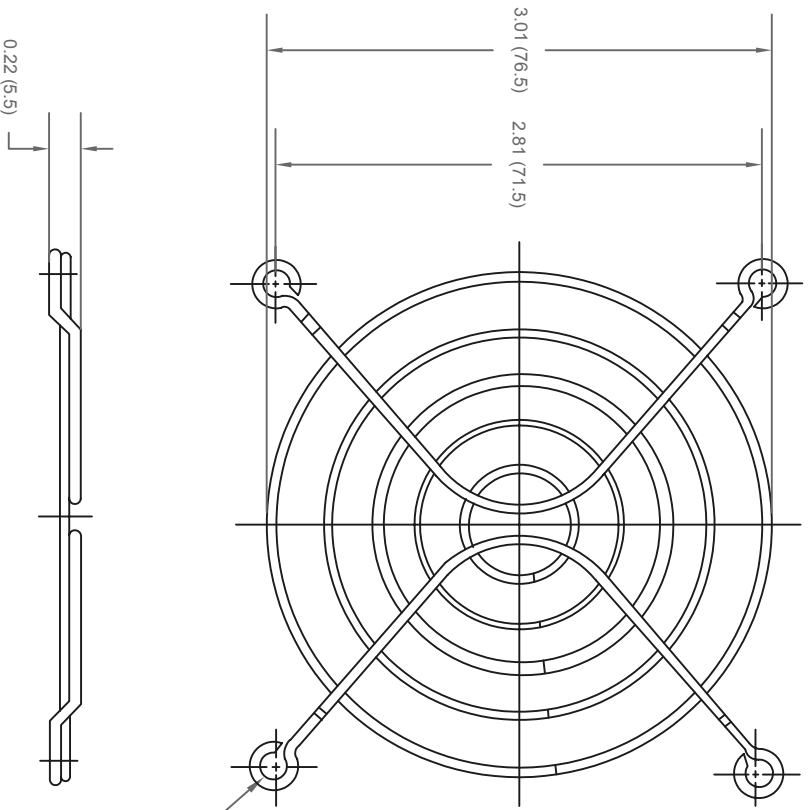
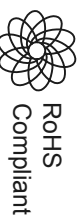
ALL RIGHTS RESERVED. NO PORTION OF THIS PUBLICATION, WHETHER IN WHOLE OR IN PART CAN BE REPRODUCED WITHOUT THE EXPRESS WRITTEN CONSENT OF SPC TECHNOLOGY.

SPC-F005.DWG

REVISIONS

| DCP # | REV | DESCRIPTION | DRAWN | DATE | CHECKD | DATE | APPRVD | DATE |
|-------|-----|-------------|-------|----------|--------|----------|--------|----------|
| | | | VEE | 19-10-10 | JAG | 19-10-10 | XXX | 02-11-10 |

DOC. NO. SPC-F005 * Effective: 7/8/02 * DCP No: 1398



0.181 Diameter (4.6)
4 Positions

Notes:

Material : C1008 Steel
 Plating : Bright nickel chrome
 Ring Diameter : 1.8mm
 Rib Diameter : 1.8mm

Part Number Table

| Description | Part Number |
|----------------|-------------|
| Wire Fan Guard | MC32705 |

Dimensions : Inches (mm)

TOLERANCES:

DISCLAIMER:
 ALL STATEMENTS AND TECHNICAL INFORMATION CONTAINED HEREIN ARE BASED UPON INFORMATION AND/OR TESTS WE BELIEVE TO BE ACCURATE AND RELIABLE. SINCE CONDITIONS OF USE ARE BEYOND OUR CONTROL, THE USER SHALL DETERMINE THE SUITABILITY OF THE PRODUCT FOR THE INTENDED USE AND ASSUME ALL RISK AND LIABILITY WHATSOEVER IN CONNECTION THEREWITH.

DRAWN BY: VEE
 CHECKED BY: JAG
 APPROVED BY: XXX

DATE: 19-10-10
 DATE: 19-10-10
 DATE: 02-11-10

Wire Fan Guard

| | | | |
|------------|---------------------|--------------------------|--------|
| SIZE: A | DWG. NO.: MC32705 | ELECTRONIC FILE: 56P2981 | REV: A |
| SCALE: NTS | U.O.M.: Millimeters | SHEET: 1 | OF 1 |