

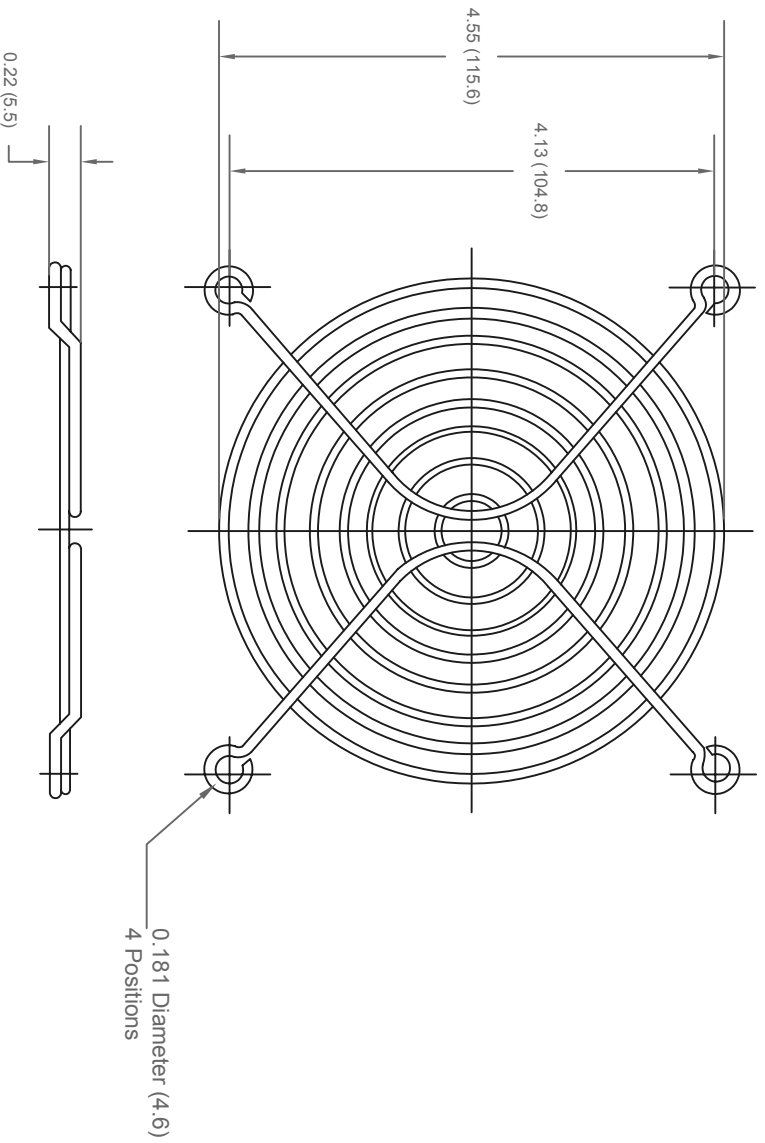
ALL RIGHTS RESERVED. NO PORTION OF THIS PUBLICATION, WHETHER IN WHOLE OR IN PART CAN BE REPRODUCED WITHOUT THE EXPRESS WRITTEN CONSENT OF SPC TECHNOLOGY.

SPC-F005.DWG

REVISIONS

DCP #	REV	DESCRIPTION	DRAWN	DATE	CHECKD	DATE	APPRVD	DATE
			VEE	19-10-10	JAG	19-10-10	XXX	02-11-10

DOC. NO. SPC-F005 * Effective: 7/8/02 * DCP No: 1398



0.181 Diameter (4.6)
4 Positions

Notes:

Material : C1008 Steel
 Plating : Black electrodeposit plating
 Ring Diameter : 1.8mm
 Rib Diameter : 1.8mm

Part Number Table

Description	Part Number
Wire Fan Guard	MC32793

Dimensions : Inches (mm)

TOLERANCES:

DISCLAIMER:
 ALL STATEMENTS AND TECHNICAL INFORMATION CONTAINED HEREIN ARE BASED UPON INFORMATION AND/OR TESTS WE BELIEVE TO BE ACCURATE AND RELIABLE. SINCE CONDITIONS OF USE ARE BEYOND OUR CONTROL, THE USER SHALL DETERMINE THE SUITABILITY OF THE PRODUCT FOR THE INTENDED USE AND ASSUME ALL RISK AND LIABILITY WHATSOEVER IN CONNECTION THEREWITH.

UNLESS OTHERWISE SPECIFIED, DIMENSIONS ARE FOR REFERENCE PURPOSES ONLY.

DRAWN BY:

DATE:

DRAWING TITLE:

Wire Fan Guard

VEE

19-10-10

SIZE DWG. NO.

A MC32793

ELECTRONIC FILE

REV

CHECKED BY:

DATE:

JAG

19-10-10

56P2989

A

APPROVED BY:

DATE:

SCALE: NTS

U.O.M.: Millimeters

SHEET: 1 OF 1

XXX

02-11-10

SCALE: NTS

U.O.M.: Millimeters

SHEET: 1 OF 1