

TFT COLOR LCD MODULE

NL6448BC20-18D

**17cm (6.5 Type)
VGA**

DATA SHEET 
DOD-PP-0251 (6th edition)

**This DATA SHEET is updated document from
DOD-PP-0124(5).**

**All information is subject to change without notice.
Please confirm the sales representative before
starting to design your system.**

INTRODUCTION

The Copyright to this document belongs to NEC LCD Technologies, Ltd. (hereinafter called "NEC"). No part of this document will be used, reproduced or copied without prior written consent of NEC.

NEC does and will not assume any liability for infringement of patents, copyrights or other intellectual property rights of any third party arising out of or in connection with application of the products described herein except for that directly attributable to mechanisms and workmanship thereof. No license, express or implied, is granted under any patent, copyright or other intellectual property right of NEC.

Some electronic parts/components would fail or malfunction at a certain rate. In spite of every effort to enhance reliability of products by NEC, the possibility of failures and malfunction might not be avoided entirely. To prevent the risks of damage to death, human bodily injury or other property arising out thereof or in connection therewith, each customer is required to take sufficient measures in its safety designs and plans including, but not limited to, redundant system, fire-containment and anti-failure.

The products are classified into three quality grades: "**Standard**", "**Special**", and "**Specific**" of the highest grade of a quality assurance program at the choice of a customer. Each quality grade is designed for applications described below. Any customer who intends to use a product for application other than that of Standard quality grade is required to contact an NEC sales representative in advance.

The **Standard** quality grade applies to the products developed, designed and manufactured in accordance with the NEC standard quality assurance program, which are designed for such application as any failure or malfunction of the products (sets) or parts/components incorporated therein a customer uses are, directly or indirectly, free of any damage to death, human bodily injury or other property, like general electronic devices.

Examples: Computers, office automation equipment, communications equipment, test and measurement equipment, audio and visual equipment, home electronic appliances, machine tools, personal electronic equipment, industrial robots, etc.

The **Special** quality grade applies to the products developed, designed and manufactured in accordance with an NEC quality assurance program stricter than the standard one, which are designed for such application as any failure or malfunction of the products (sets) or parts/components incorporated therein a customer uses might directly cause any damage to death, human bodily injury or other property, or such application under more severe condition than that defined in the Standard quality grade without such direct damage.

Examples: Control systems for transportation equipment (automobiles, trains, ships, etc.), traffic control systems, anti-disaster systems, anti-crime systems, medical equipment not specifically designed for life support, safety equipment, etc.

The **Specific** quality grade applies to the products developed, designed and manufactured in accordance with the standards or quality assurance program designated by a customer who requires an extremely higher level of reliability and quality for such products.

Examples: Military systems, aircraft control equipment, aerospace equipment, nuclear reactor control systems, medical equipment/devices/systems for life support, etc.

The quality grade of this product is the "**Standard**" unless otherwise specified in this document.

CONTENTS

INTRODUCTION2

1. OUTLINE.....4

 1.1 STRUCTURE AND PRINCIPLE4

 1.2 APPLICATION4

 1.3 FEATURES4

2. GENERAL SPECIFICATIONS.....5

3. BLOCK DIAGRAM.....6

4. DETAILED SPECIFICATIONS.....7

 4.1 MECHANICAL SPECIFICATIONS7

 4.2 ABSOLUTE MAXIMUM RATINGS.....7

 4.3 ELECTRICAL CHARACTERISTICS.....8

 4.3.1 LCD panel signal processing board8

 4.3.2 Backlight lamp.....9

 4.3.3 Power supply voltage ripple.....10

 4.3.4 Fuse.....10

 4.4 POWER SUPPLY VOLTAGE SEQUENCE.....11

 4.4.1 LCD panel signal processing board11

 4.4.2 Inverter.....11

 4.5 CONNECTIONS AND FUNCTIONS FOR INTERFACE PINS12

 4.5.1 LCD panel signal processing board12

 4.5.2 Backlight lamp.....13

 4.5.3 Positions of plugs and a socket.....13

 4.6 DISPLAY COLORS AND INPUT DATA SIGNALS.....14

 4.7 DISPLAY POSITIONS15

 4.8 SCANNING DIRECTIONS15

 4.9 INPUT SIGNAL TIMINGS16

 4.9.1 Outline of input signal timings16

 4.9.2 Timing characteristics.....17

 4.9.3 Input signal timing chart.....19

 4.10 OPTICS.....22

 4.10.1 Optical characteristics22

 4.10.2 Definition of contrast ratio.....23

 4.10.3 Definition of luminance uniformity23

 4.10.4 Definition of response times23

 4.10.5 Definition of viewing angles.....23

5. RELIABILITY TESTS24

6. PRECAUTIONS25

 6.1 MEANING OF CAUTION SIGNS25

 6.2 CAUTIONS25

 6.3 ATTENTIONS.....25

 6.3.1 Handling of the product25

 6.3.2 Environment.....26

 6.3.3 Characteristics.....26

 6.3.4 Other27

7. OUTLINE DRAWINGS.....28

 7.1 FRONT VIEW28

 7.2 REAR VIEW29

1. OUTLINE

1.1 STRUCTURE AND PRINCIPLE

Color LCD module NL6448BC20-18D is composed of the amorphous silicon thin film transistor liquid crystal display (a-Si TFT LCD) panel structure with driver LSIs for driving the TFT (Thin Film Transistor) array and a backlight.

The a-Si TFT LCD panel structure is injected liquid crystal material into a narrow gap between the TFT array glass substrate and a color-filter glass substrate.

Color (Red, Green, Blue) data signals from a host system (e.g. signal generator, etc.) are modulated into best form for active matrix system by a signal processing board, and sent to the driver LSIs which drive the individual TFT arrays.

The TFT array as an electro-optical switch regulates the amount of transmitted light from the backlight assembly, when it is controlled by data signals. Color images are created by regulating the amount of transmitted light through the TFT array of red, green and blue dots.

1.2 APPLICATION

- For industrial use

1.3 FEATURES

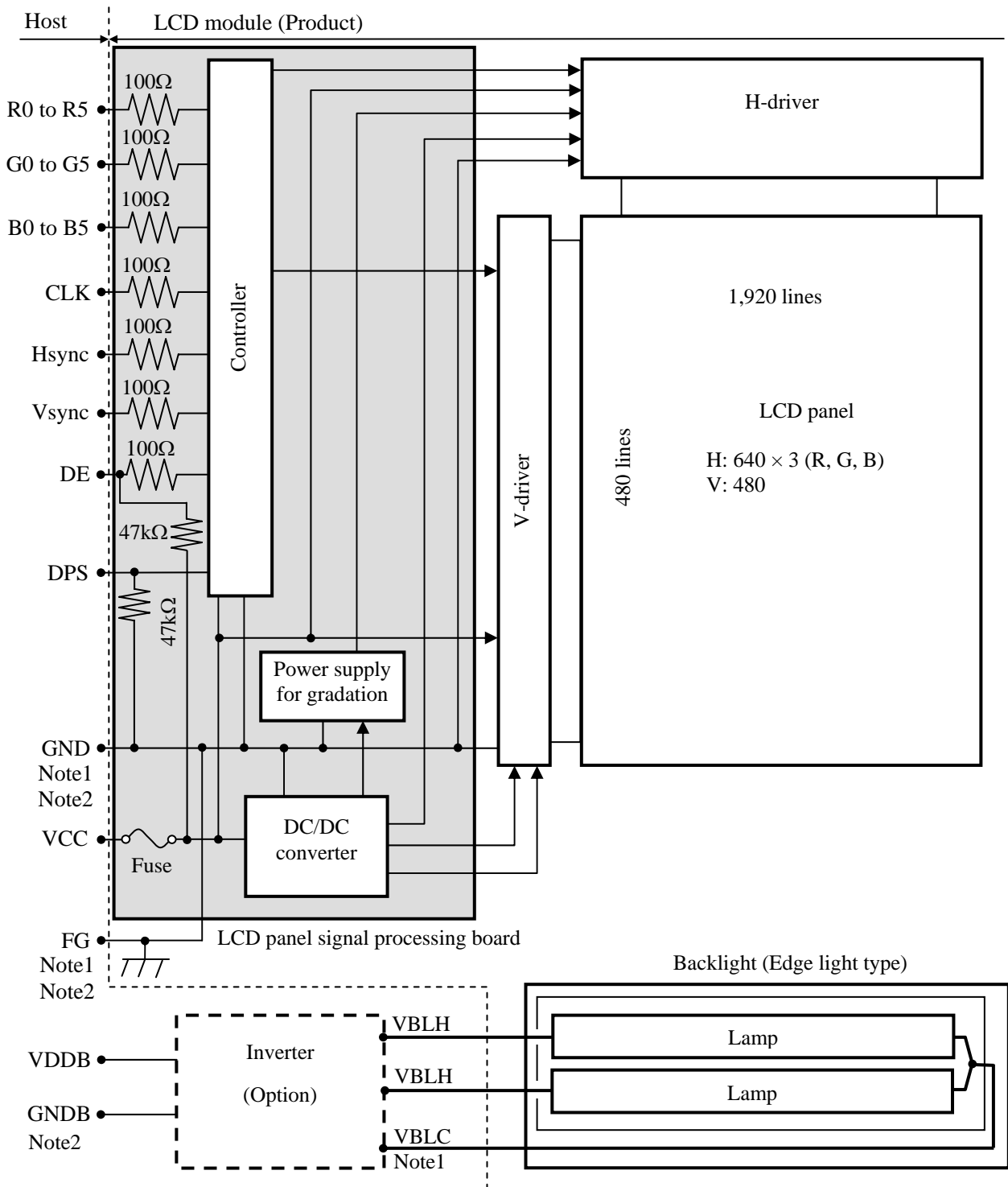
- High luminance
- High contrast
- Wide viewing angle
- Wide temperature range
- 6-bit digital RGB signals
- Reversible-scan direction
- Edge light type (without inverter)
- Replaceable lamp for backlight
- Acquisition product for UL60950-1/CSA C22.2 No.60950-1-03 (File number: E170632)
- Compliance with the European RoHS directive (2002/95/EC)



2. GENERAL SPECIFICATIONS

| | |
|-----------------------------------|--|
| Display area | 132.48 (H) × 99.36 (V) mm |
| Diagonal size of display | 17cm (6.5inches) |
| Drive system | a-Si TFT active matrix |
| Display color | 262,144 colors |
| Pixel | 640 (H) × 480 (V) pixels |
| Pixel arrangement | RGB (Red dot, Green dot, Blue dot) vertical stripe |
| Dot pitch | 0.0690 (H) × 0.2070 (V) mm |
| Pixel pitch | 0.2070 (H) × 0.2070 (V) mm |
| Module size | 153.0 (W) × 118.0 (H) × 10.5 (D) mm (typ.) |
| Weight | 205g (typ.) |
| Contrast ratio | 600:1 (typ.) |
| Viewing angle | At the contrast ratio $\geq 10:1$ <ul style="list-style-type: none"> • Horizontal: Right side 80° (typ.), Left side 80° (typ.) • Vertical: Up side 80° (typ.), Down side 60° (typ.) |
| Designed viewing direction | At DPS= Low or open: Normal scan <ul style="list-style-type: none"> • Viewing direction without image reversal: up side (12 o'clock) • Viewing direction with contrast peak: down side (6 o'clock) • Viewing angle with optimum grayscale ($\gamma=2.2$): normal axis (perpendicular) |
| Polarizer surface | Antiglare |
| Polarizer pencil-hardness | 2H (min.) [by JIS K5400] |
| Color gamut | At LCD panel center 40% (typ.) [against NTSC color space] |
| Response time | $T_{on}+T_{off}$ (10% \leftarrow \rightarrow 90%) 25ms (typ.) |
| Luminance | At IBL= 5.0mArms / lamp 400cd/m ² (typ.) |
| Signal system | 6-bit digital signals for data of RGB colors, Dot clock (CLK), Data enable (DE), Horizontal synchronous signal (Hsync), Vertical synchronous signal (Vsync) |
| Power supply voltage | LCD panel signal processing board: 3.3V or 5.0V |
| Backlight | Edge light type: 2 cold cathode fluorescent lamps <div style="border-left: 1px solid black; border-right: 1px solid black; padding: 5px; margin: 5px 0;"> Replaceable part • Lamp holder set: Type No. 65LHS10 </div> <div style="border-left: 1px solid black; border-right: 1px solid black; padding: 5px; margin: 5px 0;"> Recommended inverter (Option) • Inverter: Type No. 65PW061 </div> |
| Power consumption | At IBL= 5.0mArms / lamp, Checkered flag pattern 4.4W (typ., Power dissipation of the inverter is not included.) |

3. BLOCK DIAGRAM



Note1: Relations between GND (Signal ground), FG (Frame ground) and VBLC (Lamp low voltage terminal) in the LCD module are as follows.

| | |
|------------|---------------|
| GND - FG | Connected |
| GND - VBLC | Not connected |
| FG - VBLC | Not connected |

Note2: GND, FG and GNDB must be connected to customer equipment's ground, and it is recommended that these grounds are connected together in customer equipment.

4. DETAILED SPECIFICATIONS

4.1 MECHANICAL SPECIFICATIONS

| Parameter | Specification | Unit |
|--------------|--|------|
| Module size | 153.0 ± 0.5 (W) × 118.0 ± 0.5 (H) × 10.5 ± 0.5 (D) Note1 | mm |
| Display area | 132.48 (H) × 99.36 (V) Note1 | mm |
| Weight | 205 (typ.), 215 (max.) | g |

Note1: See "7. OUTLINE DRAWINGS".

4.2 ABSOLUTE MAXIMUM RATINGS

| Parameter | | Symbol | Rating | Unit | Remarks |
|---------------------------|-----------------------------------|--------|-----------------|------------------|----------------|
| Power supply voltage | LCD panel signal processing board | VCC | -0.3 to +6.5 | V | Ta= 25°C |
| | Lamp voltage | VBLH | 1,700 | Vrms | |
| Input voltage for signals | Display signals Note1 | VD | -0.3 to VCC+0.3 | V | |
| | Function signal Note2 | VF | | | |
| Storage temperature | | Tst | -20 to +80 | °C | - |
| Operating temperature | Front surface | TopF | -10 to +70 | °C | Note3 |
| | Rear surface | TopR | -10 to +70 | °C | Note4 |
| Relative humidity Note5 | | RH | ≤ 95 | % | Ta ≤ 40°C |
| | | | ≤ 85 | % | 40 < Ta ≤ 50°C |
| Absolute humidity Note5 | | AH | ≤ 70 Note6 | g/m ³ | Ta > 50°C |

Note1: CLK, Hsync, Vsync, DE, DATA (R0 to R5, G0 to G5, B0 to B5)

Note2: DPS

Note3: Measured at center of LCD panel surface (including self-heat)

Note4: Measured at center of LCD module's rear shield surface (including self-heat)

Note5: No condensation

Note6: Water amount at Ta= 50°C and RH= 85%

4.3 ELECTRICAL CHARACTERISTICS

4.3.1 LCD panel signal processing board

(Ta= 25°C)

| Parameter | Symbol | min. | typ. | max. | Unit | Remarks |
|---|--------|------|--------------|--------------|--------|--------------|
| Power supply voltage | VCC | 3.0 | 3.3 | 3.6 | V | at VCC= 3.3V |
| | | 4.75 | 5.0 | 5.25 | V | at VCC= 5.0V |
| Power supply current | ICC | - | 210 Note1 | 330 Note2 | mA | at VCC= 3.3V |
| | | - | 165 Note1 | 255 Note2 | mA | at VCC= 5.0V |
| Logic input voltage for display signals | High | VDH | 0.7VCC | - | VCC | CMOS level |
| | Low | VDL | 0 | - | 0.3VCC | |
| Input voltage for DPS signal | High | VFH | 0.7VCC | - | VCC | |
| | Low | VFL | 0 | - | 0.3VCC | |

Note1: Checkered flag pattern [by EIAJ ED-2522]

Note2: Pattern for maximum current

4.3.2 Backlight lamp

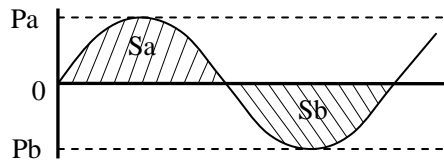
(Ta= 25°C, Note1)

| Parameter | Symbol | min. | typ. | max. | Unit | Remarks |
|---|--------|------|------|------|-------|---|
| Lamp current Note3, Note4 | IBL | 2.0 | 5.0 | 5.5 | mArms | at IBL=5.0mArms: L= 400cd/m ² |
| Lamp voltage Note2, Note3 | VBLH | - | 360 | - | Vrms | - |
| Lamp starting voltage Note2, Note3, Note5, Note8 | VS | 870 | - | - | Vrms | Ta= 25°C |
| | | 960 | - | - | Vrms | Ta= -10°C |
| Lamp oscillation frequency Note6 | FO | 50 | 55 | 60 | kHz | - |

Note1: This product consists of 2 backlight lamps, and these specifications are for each lamp.

Note2: The lamp voltage cycle between lamps should be kept on a same phase. "VS" and "VBLH" are the voltage value between low voltage side (Cold) and high voltage side (Hot).

Note3: The asymmetric ratio of working waveform for lamps (Power supply voltage peak ratio, power supply current peak ratio and waveform space ratio) should be less than 5 % (See the following figure.). If the waveform is asymmetric, DC (Direct current) element apply into the lamp. In this case, a lamp lifetime may be shortened, because a distribution of a lamp enclosure substance inclines toward one side between low voltage terminal (Cold terminal) and high voltage terminal (Hot terminal). When designing the inverter, evaluate asymmetric of lamp working waveform sufficiently.



$$\frac{|Pa - Pb|}{Pb} \times 100 \leq 5\%$$

$$\frac{|Sa - Sb|}{Sb} \times 100 \leq 5\%$$

Pa: Supply voltage/current peak for positive, Pb: Supply voltage/current peak for negative
Sa: Waveform space for positive part, Sb: Waveform space for negative part.

Note4: This product consists of 2 lamps. 2 lamps are contained in the 1 lamp holder, and both lamps are connected to 1 low voltage cable. Recommended lamp current is 5.0mArms typical for each lamp, and sum of 2 lamps is 10mArms typical. The lamp current should be measured by high-frequency current meter at the low voltage terminal.

Note5: The inverter should be designed so that the lamp starting voltage can be maintained for more than 1 second. Otherwise the lamp may not be turned on.

Note6: In case "FO" is not the recommended value, beat noise may display on the screen, because of interference between "FO" and "1/th". Recommended value of "FO" is as following

$$FO = \frac{1}{4} \times \frac{1}{th} \times (2n-1)$$

th: Horizontal cycle (See "4.9.2 Timing characteristics".)

n: Natural number (1, 2, 3

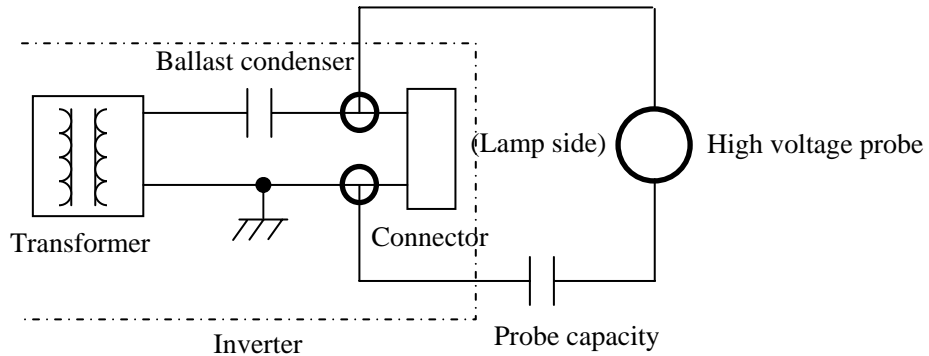
Note7: Method of lamp cable installation may invite fluctuation of lamp current and voltage or asymmetric of lamp working waveform. When designing method of lamp cable installation, evaluate the fluctuation of lamp current, voltage and working waveform sufficiently.

Note8: In case of Inverter with Ballast condenser, "VS" is the voltage level between Ballast condenser and Connector (Refer to the below "Example of measurement"). "VS" should be designed to be more than minimum "VS". Otherwise the lamp may not be turned on because the lamp starting voltage is less than minimum "VS".



Example of measurement

Probe capacity: 3pF (Tektronix, inc.: P6015A)



4.3.3 Power supply voltage ripple

This product works, even if the ripple voltage levels are beyond the permissible values as following the table, but there might be noise on the display image.

| Power supply voltage | | Ripple voltage (Measure at input terminal of power supply) | Note1 | Unit |
|----------------------|------|---|-------|-------|
| VCC | 3.3V | ≤ 100 | | mVp-p |
| | 5.0V | ≤ 100 | | mVp-p |

Note1: The permissible ripple voltage includes spike noise.

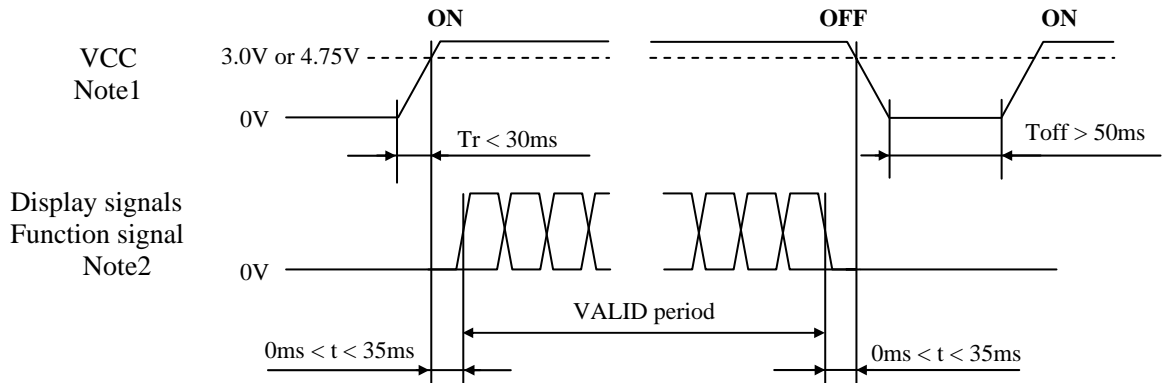
4.3.4 Fuse

| Parameter | Fuse | | Rating | Fusing current | Remarks |
|-----------|------------|-----------------------------|--------|----------------|---------|
| | Type | Supplier | | | |
| VCC | FCC16202AB | KAMAYA ELECTRIC Co., Ltd | 2.0A | 4.0A | Note1 |
| | | | 32V | | |

Note1: The power supply capacity should be more than the fusing current. If it is less than the fusing current, the fuse may not blow in a short time, and then nasty smell, smoke and so on may occur.

4.4 POWER SUPPLY VOLTAGE SEQUENCE

4.4.1 LCD panel signal processing board

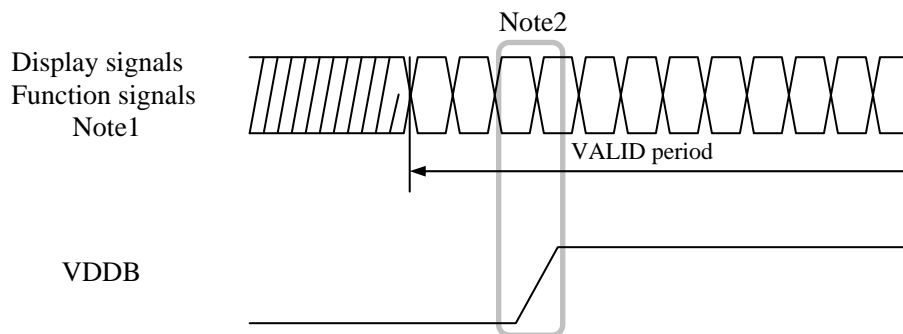


Note1: In terms of voltage variation (voltage drop) while VCC rising edge is below 3.0V in "VCC = 3.3V" or 4.75V in "VCC = 5.0V", a protection circuit may work, and then this product may not work.

Note2: Display signals (CLK, Hsync, Vsync, DE, DATA (R0 to R5, G0 to G5, B0 to B5)) and function signal (DPS) must be Low or High-impedance, exclude the VALID period (See above sequence diagram), in order to avoid that internal circuits is damaged.

If some of display and function signals of this product are cut while this product is working, even if the signal input to it once again, it might not work normally. VCC should be cut when the display and function signals are stopped.

4.4.2 Inverter (Option)



Note1: These are the display and function signals for LCD panel signal processing board.

Note2: The backlight should be turned on within the valid period of display and function signals, in order to avoid unstable data display.

4.5 CONNECTIONS AND FUNCTIONS FOR INTERFACE PINS

4.5.1 LCD panel signal processing board

CN1 socket (LCD module side): DF9B-31P-1V (3*) (Hirose Electric Co., Ltd. (HRS))

Adaptable plug: DF9-31S-1V (2*), DF9-31S-1V (3*) (Hirose Electric Co., Ltd. (HRS))

| Pin No. | Symbol | Signal | Remarks |
|---------|--------|-------------------------------|---|
| 1 | GND | Ground | Note1 |
| 2 | CLK | Dot clock | - |
| 3 | Hsync | Horizontal synchronous signal | |
| 4 | Vsync | Vertical synchronous signal | |
| 5 | GND | Ground | Note1 |
| 6 | R0 | Red data (LSB) | Least significant bit |
| 7 | R1 | Red data | - |
| 8 | R2 | Red data | |
| 9 | R3 | Red data | |
| 10 | R4 | Red data | |
| 11 | R5 | Red data (MSB) | Most significant bit |
| 12 | GND | Ground | Note1 |
| 13 | G0 | Green data (LSB) | Least significant bit |
| 14 | G1 | Green data | - |
| 15 | G2 | Green data | |
| 16 | G3 | Green data | |
| 17 | G4 | Green data | |
| 18 | G5 | Green data (MSB) | Most significant bit |
| 19 | GND | Ground | Note1 |
| 20 | B0 | Blue data (LSB) | Least significant bit |
| 21 | B1 | Blue data | - |
| 22 | B2 | Blue data | |
| 23 | B3 | Blue data | |
| 24 | B4 | Blue data | |
| 25 | B5 | Blue data (MSB) | Most significant bit |
| 26 | GND | Ground | Note1 |
| 27 | DE | Selection of DE / Fixed mode | High or Open: Fixed mode Data enable signal: DE mode |
| 28 | VCC | Power supply | Note1 |
| 29 | VCC | Power supply | |
| 30 | N.C. | - | Keep this pin Open. |
| 31 | DPS | Selection of scan direction | High: Reverse scan Low or Open: Normal scan Note2 |

Note1: All GND and VCC terminals should be used without any non-connected lines.

Note2: See "4.8 SCANNING DIRECTIONS".

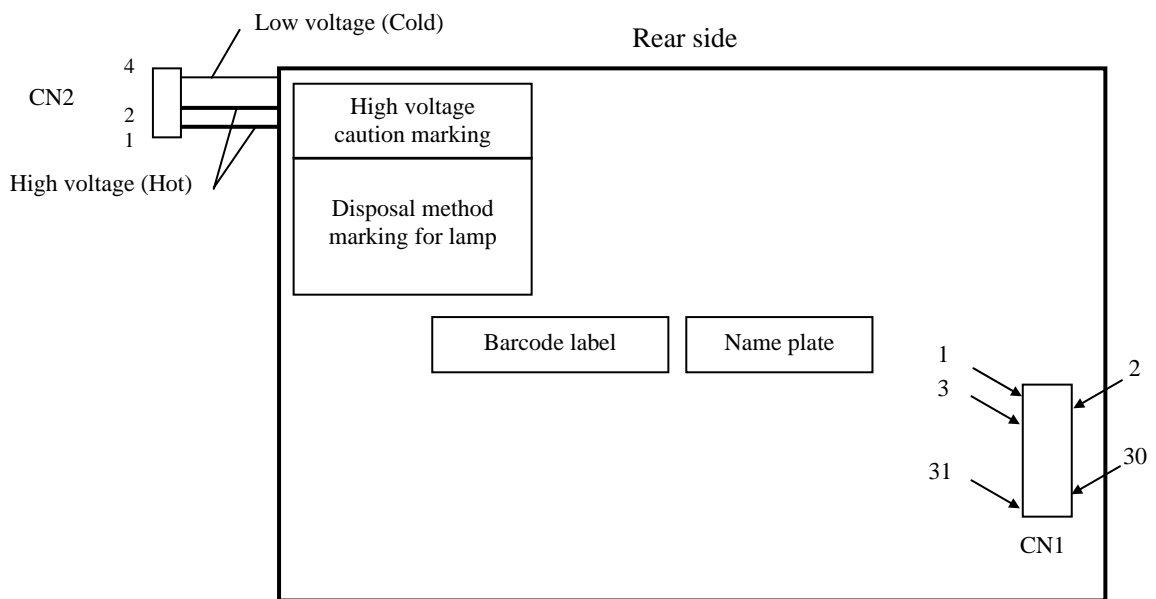
4.5.2 Backlight lamp

Attention: VBLH and VBLC must be connected correctly. Wrong connections will cause electric shock and also break down of the product.

CN2 plug (LCD module side): BHR-04VS-1 (J.S.T Mfg. Co., Ltd.)
 Adaptable socket: SM03 (7-D1) B-BHS-1-TB (LF)(SN),
 SM03 (7-D1) B-BHS-1-TB (J.S.T Mfg. Co., Ltd.)

| Pin No. | Symbol | Signal | Remarks |
|---------|--------|--------------------|---------------------|
| 1 | VBLH | High voltage (Hot) | Cable color: Pink |
| 2 | VBLH | High voltage (Hot) | Cable color: Pink |
| 3 | N. C. | - | Keep this pin Open. |
| 4 | VBLC | Low voltage (Cold) | Cable color: Black |

4.5.3 Positions of plugs and a socket



4.6 DISPLAY COLORS AND INPUT DATA SIGNALS

This product can display in equivalent to 262,144 colors in 64 gray scales. Also the relation between display colors and input data signals is as the following table.

| Display colors | | Data signal (0: Low level, 1: High level) | | | | | | | | | | | | | | | | | |
|------------------|---------|---|----|----|----|----|----|----|----|----|----|----|----|----|----|----|----|----|----|
| | | R5 | R4 | R3 | R2 | R1 | R0 | G5 | G4 | G3 | G2 | G1 | G0 | B5 | B4 | B3 | B2 | B1 | B0 |
| Basic colors | Black | 0 | 0 | 0 | 0 | 0 | 0 | 0 | 0 | 0 | 0 | 0 | 0 | 0 | 0 | 0 | 0 | 0 | 0 |
| | Blue | 0 | 0 | 0 | 0 | 0 | 0 | 0 | 0 | 0 | 0 | 0 | 0 | 1 | 1 | 1 | 1 | 1 | 1 |
| | Red | 1 | 1 | 1 | 1 | 1 | 1 | 0 | 0 | 0 | 0 | 0 | 0 | 0 | 0 | 0 | 0 | 0 | 0 |
| | Magenta | 1 | 1 | 1 | 1 | 1 | 1 | 0 | 0 | 0 | 0 | 0 | 0 | 1 | 1 | 1 | 1 | 1 | 1 |
| | Green | 0 | 0 | 0 | 0 | 0 | 0 | 1 | 1 | 1 | 1 | 1 | 1 | 0 | 0 | 0 | 0 | 0 | 0 |
| | Cyan | 0 | 0 | 0 | 0 | 0 | 0 | 1 | 1 | 1 | 1 | 1 | 1 | 1 | 1 | 1 | 1 | 1 | 1 |
| | Yellow | 1 | 1 | 1 | 1 | 1 | 1 | 1 | 1 | 1 | 1 | 1 | 1 | 0 | 0 | 0 | 0 | 0 | 0 |
| | White | 1 | 1 | 1 | 1 | 1 | 1 | 1 | 1 | 1 | 1 | 1 | 1 | 1 | 1 | 1 | 1 | 1 | 1 |
| Red gray scale | Black | 0 | 0 | 0 | 0 | 0 | 0 | 0 | 0 | 0 | 0 | 0 | 0 | 0 | 0 | 0 | 0 | 0 | 0 |
| | dark | 0 | 0 | 0 | 0 | 0 | 1 | 0 | 0 | 0 | 0 | 0 | 0 | 0 | 0 | 0 | 0 | 0 | 0 |
| | ↑ | | | | : | | | | | | | | | | | | | | |
| | ↓ | | | | : | | | | | | | | | | | | | | |
| | bright | 1 | 1 | 1 | 1 | 0 | 1 | 0 | 0 | 0 | 0 | 0 | 0 | 0 | 0 | 0 | 0 | 0 | 0 |
| Red | 1 | 1 | 1 | 1 | 1 | 1 | 0 | 0 | 0 | 0 | 0 | 0 | 0 | 0 | 0 | 0 | 0 | 0 | |
| Green gray scale | Black | 0 | 0 | 0 | 0 | 0 | 0 | 0 | 0 | 0 | 0 | 0 | 0 | 0 | 0 | 0 | 0 | 0 | 0 |
| | dark | 0 | 0 | 0 | 0 | 0 | 0 | 0 | 0 | 0 | 0 | 1 | 0 | 0 | 0 | 0 | 0 | 0 | 0 |
| | ↑ | | | | : | | | | | | | | | | | | | | |
| | ↓ | | | | : | | | | | | | | | | | | | | |
| | bright | 0 | 0 | 0 | 0 | 0 | 0 | 1 | 1 | 1 | 1 | 0 | 1 | 0 | 0 | 0 | 0 | 0 | 0 |
| Green | 0 | 0 | 0 | 0 | 0 | 0 | 1 | 1 | 1 | 1 | 1 | 1 | 0 | 0 | 0 | 0 | 0 | 0 | |
| Blue gray scale | Black | 0 | 0 | 0 | 0 | 0 | 0 | 0 | 0 | 0 | 0 | 0 | 0 | 0 | 0 | 0 | 0 | 0 | 0 |
| | dark | 0 | 0 | 0 | 0 | 0 | 0 | 0 | 0 | 0 | 0 | 0 | 0 | 0 | 0 | 0 | 0 | 1 | 0 |
| | ↑ | | | | : | | | | | | | | | | | | | | |
| | ↓ | | | | : | | | | | | | | | | | | | | |
| | bright | 0 | 0 | 0 | 0 | 0 | 0 | 0 | 0 | 0 | 0 | 0 | 0 | 1 | 1 | 1 | 1 | 0 | 1 |
| Blue | 0 | 0 | 0 | 0 | 0 | 0 | 0 | 0 | 0 | 0 | 0 | 0 | 1 | 1 | 1 | 1 | 1 | 0 | |
| Blue | 0 | 0 | 0 | 0 | 0 | 0 | 0 | 0 | 0 | 0 | 0 | 0 | 1 | 1 | 1 | 1 | 1 | 1 | |

4.7 DISPLAY POSITIONS

The following table is the coordinates per pixel (See "4.8 SCANNING DIRECTIONS".).

| | | | | | | |
|------------|------------|-------|------------|-------|-------------|-------------|
| C (0, 0) | | | | | | |
| R | G | B | | | | |
| C(0, 0) | C(1, 0) | • • • | C(X, 0) | • • • | C(638, 0) | C(639, 0) |
| C(0, 1) | C(1, 1) | • • • | C(X, 1) | • • • | C(638, 1) | C(639, 1) |
| • | • | • | • | • | • | • |
| • | • | • • • | • | • • • | • | • • • |
| • | • | • | • | • | • | • |
| C(0, Y) | C(1, Y) | • • • | C(X, Y) | • • • | C(638, Y) | C(639, Y) |
| • | • | • | • | • | • | • |
| • | • | • • • | • | • • • | • | • |
| • | • | • | • | • | • | • |
| C(0, 478) | C(1, 478) | • • • | C(X, 478) | • • • | C(638, 478) | C(639, 478) |
| C(0, 479) | C(1, 479) | • • • | C(X, 479) | • • • | C(638, 479) | C(639, 479) |

4.8 SCANNING DIRECTIONS

The following figures are seen from a front view. Also the arrow shows the direction of scan.

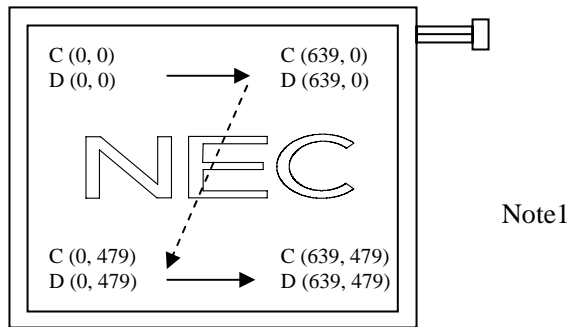


Figure1. Normal scan (DPS: Low or Open)

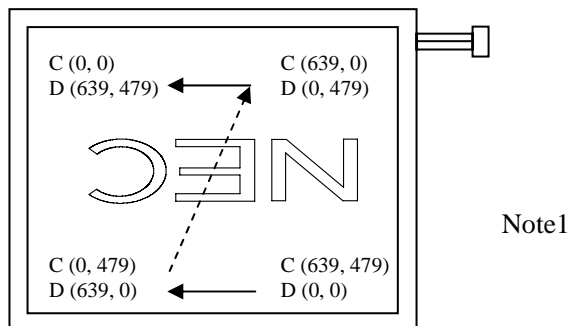


Figure2. Reverse scan (DPS: High)

Note1: Meaning of C (X, Y) and D (X, Y)

C (X, Y): The coordinates of the display position (See "4.7 DISPLAY POSITIONS".)

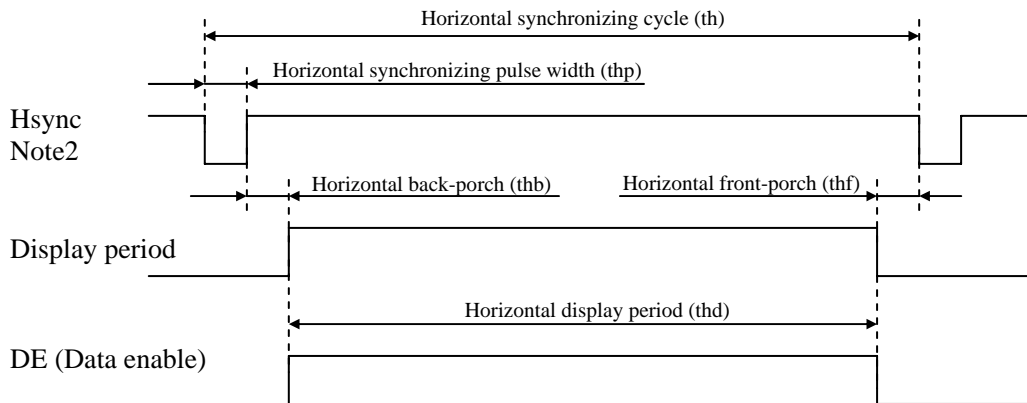
D (X, Y): The data number of input signal for LCD panel signal processing board

4.9 INPUT SIGNAL TIMINGS

4.9.1 Outline of input signal timings

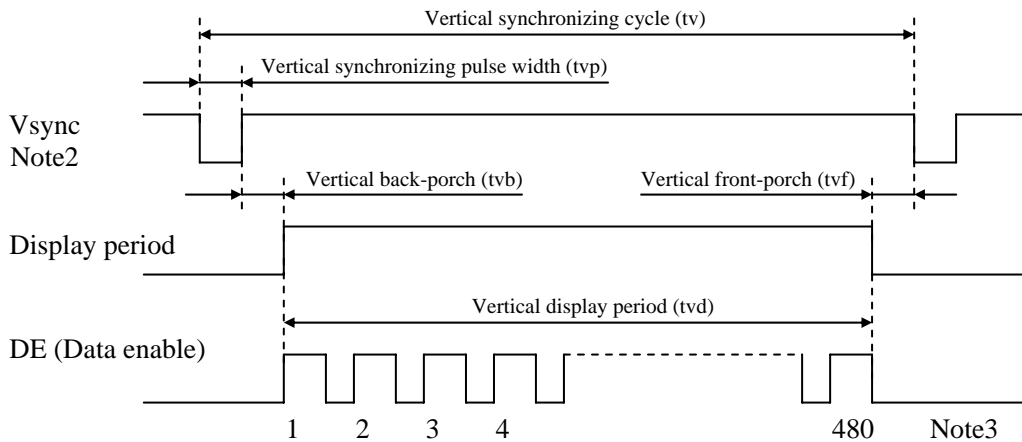
• Horizontal signal

Note1



• Vertical signal

Note1



Note1: This diagram indicates virtual signal for set up to timing.

Note2: Fixed mode cannot be used while working of DE mode.

Note3: See "4.9.3 Input signal timing chart" for numeration of pulse.

4.9.2 Timing characteristics

(a) Fixed mode

(Note1)

| Parameter | | Symbol | min. | typ. | max. | Unit | Remarks | | |
|---------------------------------------|-------------------------------------|------------|------|--------|------|------|------------------|-------|---|
| CLK | Frequency | 1/tc | 21.0 | 25.175 | 29.0 | MHz | 39.72ns (typ.) | | |
| | Duty | tcd | 0.4 | 0.5 | 0.6 | - | - | | |
| | Rise time, Fall time | tcrf | - | - | 10 | ns | | | |
| DATA (R0-R5) (G0-G5) (B0-B5) | CLK-DATA | Setup time | tds | 3 | - | - | ns | - | |
| | | Hold time | tdh | 5 | - | - | ns | | |
| | Rise time, Fall time | tdrf | - | - | 10 | ns | | | |
| Hsync | Cycle | th | 30.0 | 31.778 | 33.6 | μs | 31.468kHz (typ.) | | |
| | | | 800 | | | CLK | - | | |
| | Display period | thd | 640 | | | CLK | | | |
| | Front-porch | thf | 16 | | | CLK | | | |
| | Pulse width | thp | 10 | 96 | - | CLK | | | |
| | Back-porch | thb | - | 48 | 134 | CLK | | | |
| | Total of pulse width and back-porch | thp + thb | 144 | | | CLK | | Note2 | |
| | CLK- Hsync | Setup time | ths | 3 | - | - | | ns | - |
| | | Hold time | thh | 5 | - | - | | ns | |
| Rise time, Fall time | thrf | - | - | 10 | ns | | | | |
| Vsync | Cycle | tv | 16.1 | 16.683 | 17.2 | ms | 59.94Hz (typ.) | | |
| | | | 525 | | | H | - | | |
| | Display period | tvd | 480 | | | H | | | |
| | Front-porch | tvf | 12 | | | H | | | |
| | Pulse width | tvp | 1 | 2 | - | H | | | |
| | Back-porch | tvb | - | 31 | 32 | H | | | |
| | Total of pulse width and back-porch | tvp + tvb | 33 | | | H | | Note2 | |
| | Hsync-Vsync | Setup time | tvhs | 3 | - | - | | ns | - |
| | | Hold time | tvhh | 5 | - | - | | ns | |
| Rise time, Fall time | tvrf | - | - | 10 | ns | | | | |

Note1: Definition of parameters is as follows.

tc= 1CLK, tcd= tch/tc, th= 1H

Note2: Keep tvp + tvb and thp + thb within the table. If it is out of specification, display position will be shifted to right/left side or up/down.

(b) DE mode

(Note1, Note2, Note3)

| Parameter | | Symbol | min. | typ. | max. | Unit | Remarks | |
|---------------------------------------|-------------------------|----------------|-------|--------|--------|------|----------------|------------------|
| CLK | Frequency | 1/tc | 21.0 | 25.175 | 29.0 | MHz | 39.72ns (typ.) | |
| | Duty | tcd | 0.4 | 0.5 | 0.6 | - | - | |
| | Rise time, Fall time | tcrf | - | - | 10 | ns | - | |
| DATA (R0-R5) (G0-G5) (B0-B5) | CLK-DATA | Setup time | tds | 3 | - | - | ns | - |
| | | Hold time | tdh | 5 | - | - | ns | |
| | Rise time, Fall time | tdrf | - | - | 10 | ns | | |
| DE | Horizontal | Cycle | th | 30.0 | 31.778 | 33.6 | μs | 31.468kHz (typ.) |
| | | | | - | 800 | - | CLK | - |
| | | Display period | thd | 640 | | | CLK | - |
| | Vertical (One frame) | Cycle | tv | 16.1 | 16.683 | 17.2 | ms | 59.94Hz (typ.) |
| | | | | - | 525 | - | H | - |
| | | Display period | tvd | 480 | | | H | - |
| | CLK-DE | Setup time | tdes | 3 | - | - | ns | - |
| | | Hold time | tdeh | 5 | - | - | ns | |
| | Rise time, Fall time | | tderf | - | - | 10 | ns | - |

Note1: Definition of parameters is as follows.

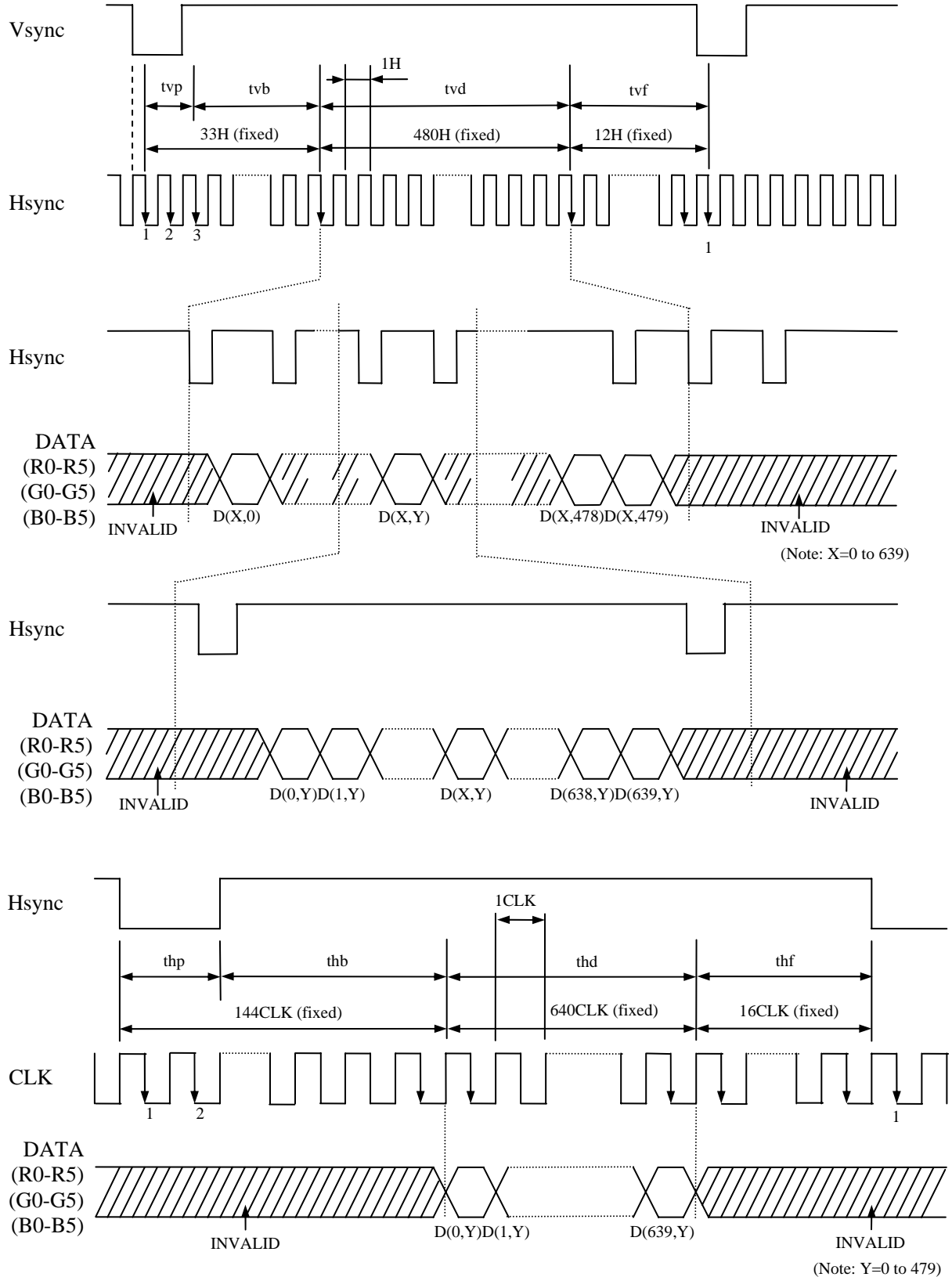
tc= 1CLK, tcd= tch/tc, th= 1H

Note2: Hsync signal (CN1-Pin No.3) and Vsync signal (CN1-Pin No.4) are not used inside the product at DE mode, but do not keep pin open to avoid noise problem.

Note3: Vertical cycle (tv) should be specified in integral multiple of Horizontal cycle (th).

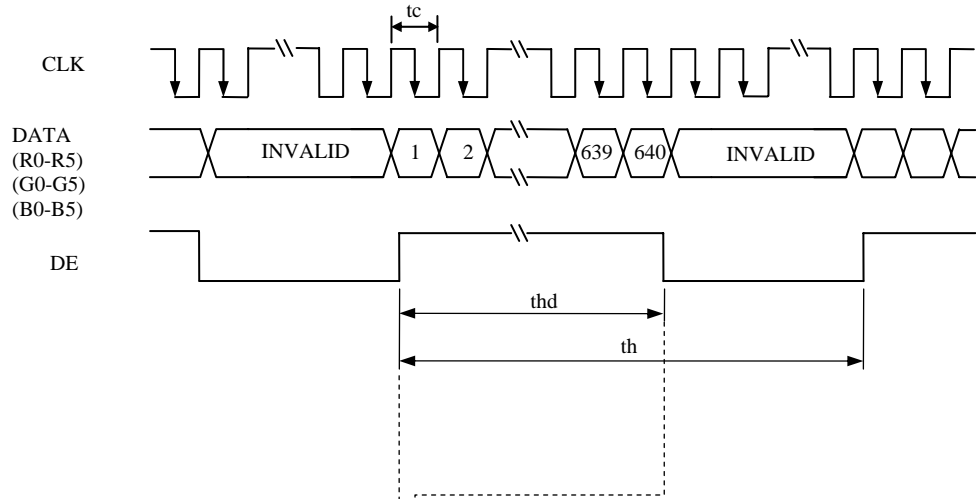
4.9.3 Input signal timing chart

(a) Fixed mode

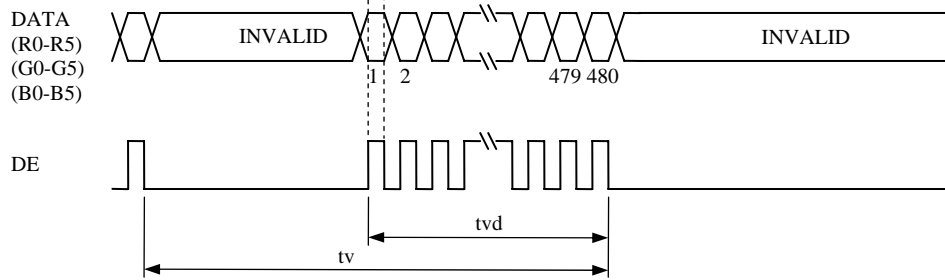


(b) DE mode

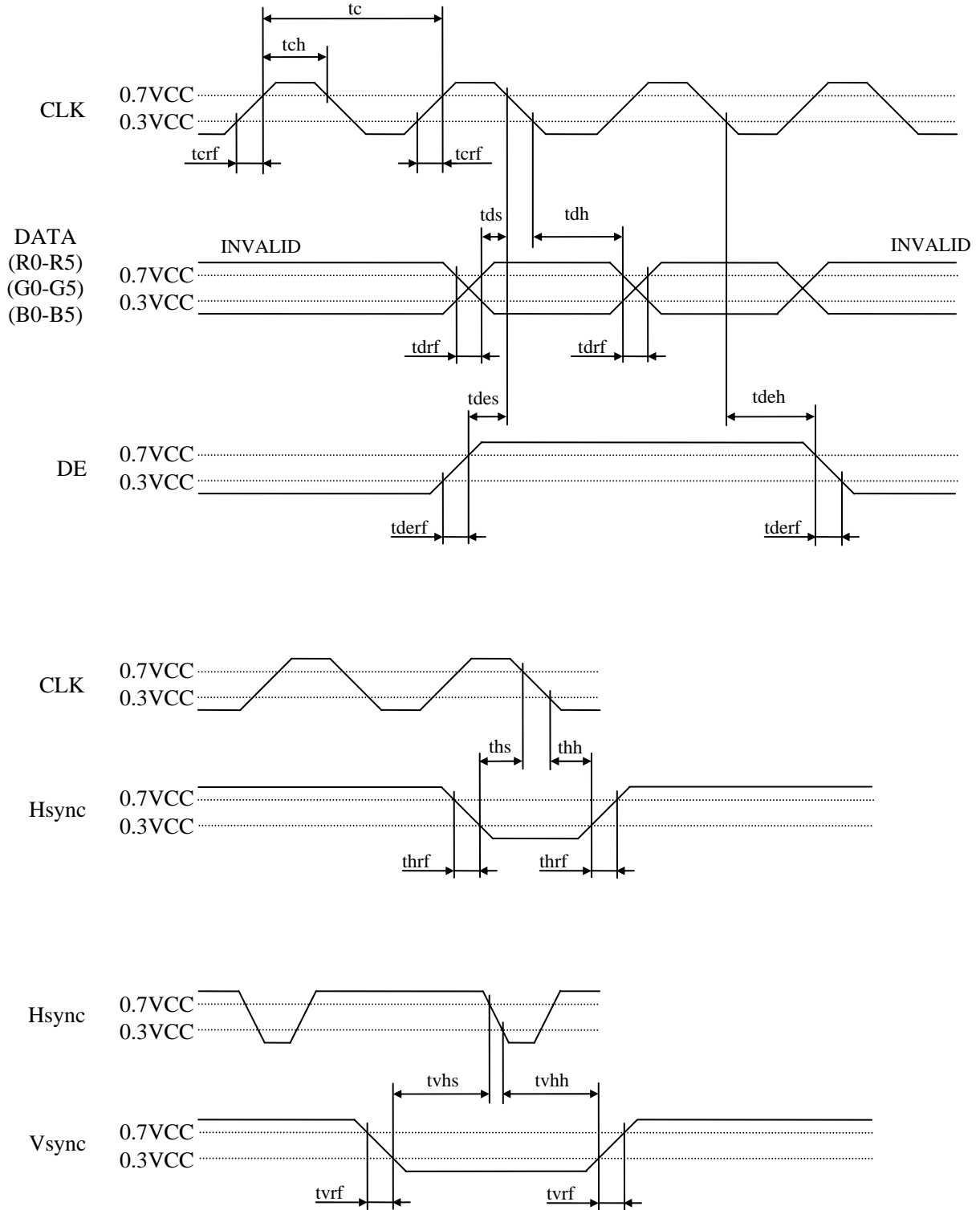
Horizontal timing



Vertical timing



(c) Common item of Fixed mode and DE mode



4.10 OPTICS

4.10.1 Optical characteristics

(Note1, Note2)

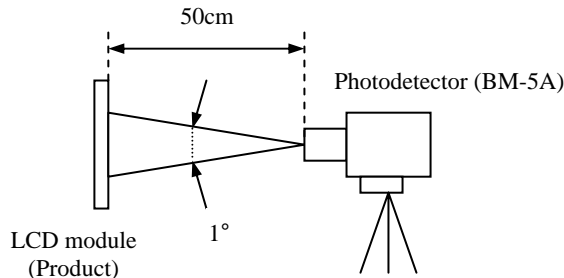
| Parameter | Condition | Symbol | min. | typ. | max. | Unit | Remarks | |
|----------------------|---|--|------------|-------|-------|-------------------|---------|-------|
| Luminance | White at center $\theta R=0^\circ, \theta L=0^\circ, \theta U=0^\circ, \theta D=0^\circ$ | L | 280 | 400 | - | cd/m ² | - | |
| Contrast ratio | White/Black at center $\theta R=0^\circ, \theta L=0^\circ, \theta U=0^\circ, \theta D=0^\circ$ | CR | 300 | 600 | - | - | Note3 | |
| Luminance uniformity | White $\theta R=0^\circ, \theta L=0^\circ, \theta U=0^\circ, \theta D=0^\circ$ | LU | - | 1.25 | 1.4 | - | Note4 | |
| Chromaticity | White | x coordinate | Wx | 0.283 | 0.313 | 0.343 | - | Note5 |
| | | y coordinate | Wy | 0.299 | 0.329 | 0.359 | - | |
| | Red | x coordinate | Rx | - | 0.582 | - | - | |
| | | y coordinate | Ry | - | 0.344 | - | - | |
| | Green | x coordinate | Gx | - | 0.328 | - | - | |
| | | y coordinate | Gy | - | 0.528 | - | - | |
| Blue | x coordinate | Bx | - | 0.156 | - | - | | |
| | y coordinate | By | - | 0.146 | - | - | | |
| Color gamut | $\theta R=0^\circ, \theta L=0^\circ, \theta U=0^\circ, \theta D=0^\circ$ at center, against NTSC color space | C | 35 | 40 | - | % | | |
| Response time | White to Black | Ton | - | 6 | 15 | ms | Note6 | |
| | Black to White | Toff | - | 19 | 47 | ms | Note7 | |
| Viewing angle | Right | $\theta U=0^\circ, \theta D=0^\circ, CR \geq 10$ | θR | 70 | 80 | - | ° | Note8 |
| | Left | $\theta U=0^\circ, \theta D=0^\circ, CR \geq 10$ | θL | 70 | 80 | - | ° | |
| | Up | $\theta R=0^\circ, \theta L=0^\circ, CR \geq 10$ | θU | 70 | 80 | - | ° | |
| | Down | $\theta R=0^\circ, \theta L=0^\circ, CR \geq 10$ | θD | 50 | 60 | - | ° | |

Note1: These are initial characteristics.

Note2: Measurement conditions are as follows.

Ta= 25°C, VCC= 3.3V, IBL= 5.0mArms/lamp, Display mode: VGA, Horizontal cycle= 1/31.468kHz, Vertical cycle= 1/59.94Hz, DPS= Low or Open: Normal scan

Optical characteristics are measured at luminance saturation after 20minutes from working the product, in the dark room. Also measurement methods are as follows.



Note3: See "4.10.2 Definition of contrast ratio".

Note4: See "4.10.3 Definition of luminance uniformity".

Note5: These coordinates are found on CIE 1931 chromaticity diagram.

Note6: Product surface temperature: TopF= 32°C

Note7: See "4.10.4 Definition of response times".

Note8: See "4.10.5 Definition of viewing angles".

4.10.2 Definition of contrast ratio

The contrast ratio is calculated by using the following formula.

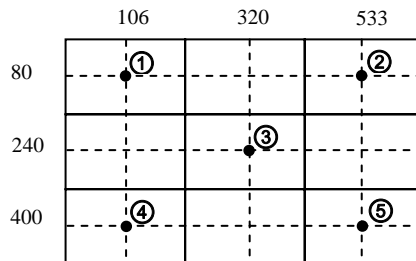
$$\text{Contrast ratio (CR)} = \frac{\text{Luminance of white screen}}{\text{Luminance of black screen}}$$

4.10.3 Definition of luminance uniformity

The luminance uniformity is calculated by using following formula.

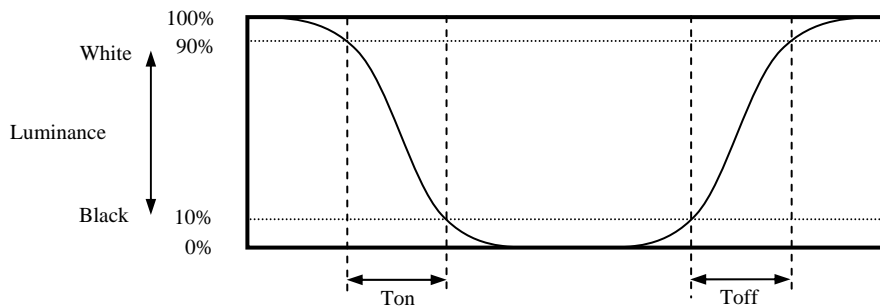
$$\text{Luminance uniformity (LU)} = \frac{\text{Maximum luminance from ① to ⑤}}{\text{Minimum luminance from ① to ⑤}}$$

The luminance is measured at near the 5 points shown below.

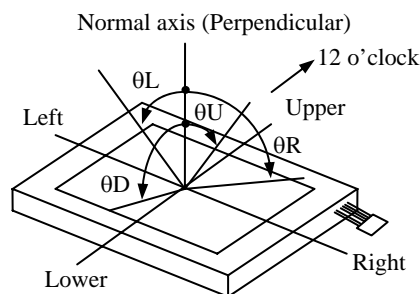


4.10.4 Definition of response times

Response time is measured, the luminance changes from "white" to "black", or "black" to "white" on the same screen point, by photo-detector. Ton is the time it takes the luminance change from 90% down to 10%. Also Toff is the time it takes the luminance change from 10% up to 90% (See the following diagram.).



4.10.5 Definition of viewing angles

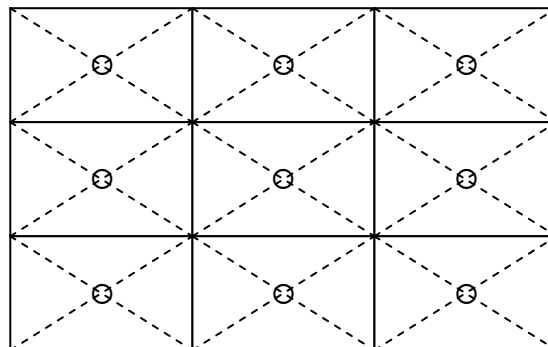


5. RELIABILITY TESTS

| Test item | Condition | Judgment |
|--|---|---|
| High temperature and humidity (Operation) | ① 60 ± 2°C, RH= 90%, 240hours ② Display data is black. | No display malfunctions Note1 |
| High temperature (Operation) | ① 70 ± 3°C, 240hours ② Display data is black. | |
| Heat cycle (Operation) | ① -10 ± 3°C...1hour 70 ± 3°C...1hour ② 50cycles, 4 hours/cycle ③ Display data is black. | |
| Thermal shock (Non operation) | ① -20 ± 3°C...30minutes 80 ± 3°C...30minutes ② 100cycles, 1hour/cycle ③ Temperature transition time is within 5 minutes. | |
| ESD (Operation) | ① 150pF, 150Ω, ±10kV ② 9 places on a panel surface Note2 ③ 10 times each places at 1 sec interval | |
| Dust (Operation) | ① Sample dust: No. 15 (by JIS-Z8901)) ② 15 seconds stir ③ 8 times repeat at 1 hour interval | |
| Vibration (Non operation) | ① 5 to 100Hz, 19.6m/s ² ② 1 minute/cycle ③ X, Y, Z direction ④ 120 times each directions | No display malfunctions No physical damages Note1 |
| Mechanical shock (Non operation) | ① 539m/ s ² , 11ms ② ±X, ±Y, ±Z direction ③ 5 times each directions | |

Note1: Display and appearance are checked under environmental conditions equivalent to the inspection conditions of defect criteria.

Note2: See the following figure for discharge points.



6. PRECAUTIONS

6.1 MEANING OF CAUTION SIGNS

The following caution signs have very important meaning. **Be sure to read "6.2 CAUTIONS" and "6.3 ATTENTIONS", after understanding these contents!**

| | |
|--|--|
| | This sign has the meaning that customer will be injured by himself or the product will sustain a damage, if customer has wrong operations. |
| | This sign has the meaning that customer will get an electrical shock, if customer has wrong operations. |
| | This sign has the meaning that customer will be injured by himself, if customer has wrong operations. |

6.2 CAUTIONS

| | |
|--|---|
| | * Do not touch the working backlight. There is a danger of an electric shock. |
| | * Do not touch the working backlight. There is a danger of burn injury. * Do not shock and press the LCD panel and the backlight! There is a danger of breaking, because they are made of glass. (Shock: To be not greater 539m/s² and to be not greater 11ms, Pressure: To be not greater 19.6N (φ16mm jig)) |

6.3 ATTENTIONS



6.3.1 Handling of the product

- ① Take hold of both ends without touching the circuit board when the product (LCD module) is picked up from inner packing box to avoid broken down or misadjustment, because of stress to mounting parts on the circuit board.
- ② Do not hook nor pull cables such as lamp cable, and so on, in order to avoid any damage.
- ③ When the product is put on the table temporarily, display surface must be placed downward.
- ④ When handling the product, take the measures of electrostatic discharge with such as earth band, ionic shower and so on, because the product may be damaged by electrostatic.
- ⑤ The torque for product mounting screws must never exceed 0.147N·m. Higher torque might result in distortion of the bezel. And the length of product mounting screws must be ≤ 2.0mm.
- ⑥ The product must be installed using mounting holes without undue stress such as bends or twist (See outline drawings). And do not add undue stress to any portion (such as bezel flat area). Bends or twist described above and undue stress to any portion may cause display mura.
- ⑦ Do not press or rub on the sensitive product surface. When cleaning the product surface, use of the cloth with ethanolic liquid such as screen cleaner for LCD is recommended.

- ⑧ Do not push nor pull the interface connectors while the product is working.
- ⑨ Do not bend or unbend the lamp cable at the near part of the lamp holding rubber, to avoid the damage for high voltage side of the lamp.
- ⑩ Properly connect the plug (backlight side) to adaptable socket (inverter side) without incomplete connection. After connecting, be careful not to hook the lamp cables because incomplete connection may occur by hooking the lamp cables. This incomplete connection may cause abnormal operation of high voltage circuit.
- ⑪ If the lamp cable is attached on the metal part of the product directly, high frequency leak current to the metal part may occur, then the brightness may decrease or the lamp may not be turned on.
- ⑫ When handling the product, use of an original protection sheet on the product surface (polarizer) is recommended for protection of product surface. Adhesive type protection sheet may change color or characteristics of the polarizer.
- ⑬ Usually liquid crystals don't leak through the breakage of glasses because of the surface tension of thin layer and the construction of LCD panel. But, if you contact with liquid crystal for the worst, please wash it out with soap. ☆

6.3.2 Environment

- ① Do not operate or store in high temperature, high humidity, dewdrop atmosphere or corrosive gases. Keep the product in packing box with antistatic pouch in room temperature to avoid dusts and sunlight, when storing the product.
- ② In order to prevent dew condensation occurring by temperature difference, the product packing box should be opened after enough time being left under the environment of an unpacking room. Evaluate the leaving time sufficiently because a situation of dew condensation occurring is changed by the environmental temperature and humidity. (Recommended leaving time: 6 hours or more with packing state)
- ③ Do not operate in high magnetic field. Circuit boards may be broken down by it.
- ④ This product is not designed as radiation hardened.

6.3.3 Characteristics

The following items are neither defects nor failures.

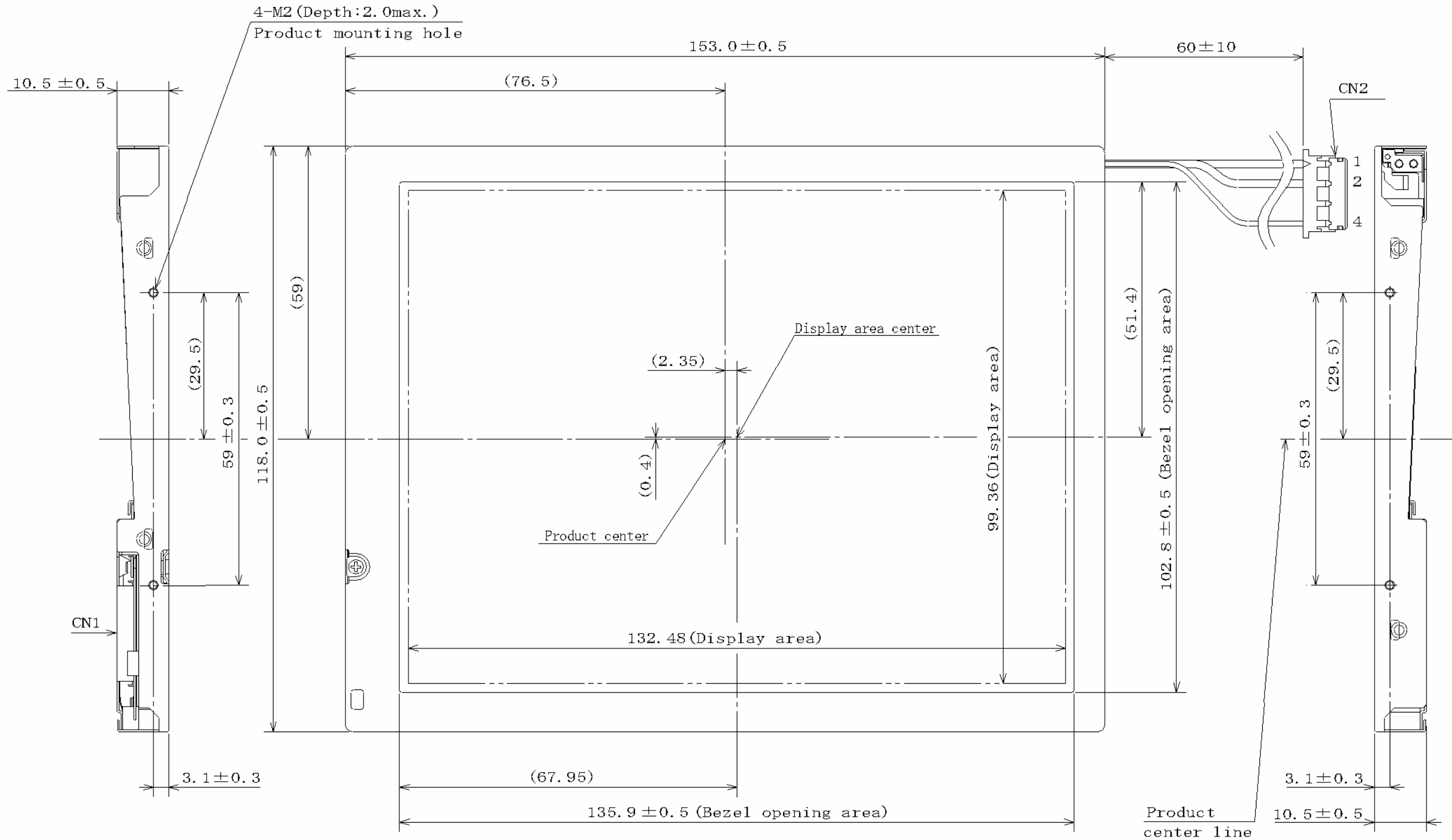
- ① Response time, luminance and color may be changed by ambient temperature.
- ② Display mura, flicker, vertical seam or small spot may be observed depending on display patterns.
- ③ Optical characteristics (e.g. luminance, display uniformity, etc.) gradually is going to change depending on operating time, and especially low temperature, because the LCD has cold cathode fluorescent lamps.
- ④ Do not display the fixed pattern for a long time because it may cause image sticking. Use a screen saver, if the fixed pattern is displayed on the screen.
- ⑤ The display color may be changed depending on viewing angle because of the use of condenser sheet in the backlight.
- ⑥ Optical characteristics may be changed depending on input signal timings.
- ⑦ The interference noise between input signal frequency for this product's signal processing board and luminance control frequency of the inverter may appear on a display. Set up luminance control frequency of the inverter so that the interference noise does not appear.
- ⑧ After the product is stored under condition of low temperature or dark place for a long time, the cold cathode fluorescent lamp may not be turned on under the same condition because of the general characteristic of cold cathode fluorescent lamp. In addition, when Luminance control ratio is low in pulse width modulation method inverter, the lamp may not be turned on. In this case, power should be supplied again. ☆

6.3.4 Other

- ① All GND and VCC terminals should be used without any non-connected lines.
- ② Do not disassemble a product or adjust variable resistors.
- ③ See "REPLACEMENT MANUAL FOR LAMP HOLDER SET", when replacing backlight lamps.
- ④ Pay attention not to insert foreign materials inside of the product, when using tapping screws.
- ⑤ Pack the product with original shipping package, in order to avoid any damages during transportation, when returning the product to NEC for repair and so on.

7. OUTLINE DRAWINGS

7.1 FRONT VIEW

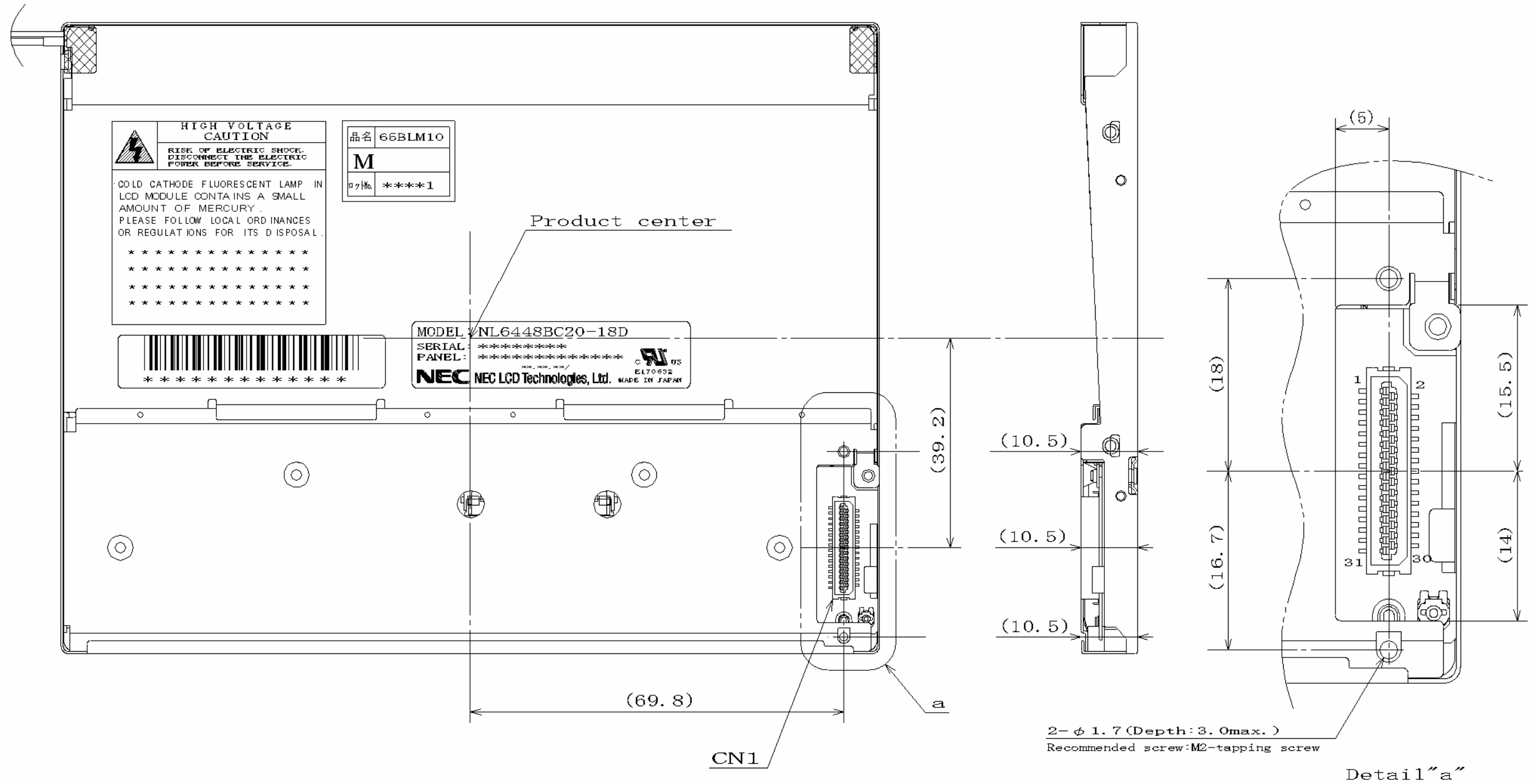


Unit: mm

Note1: The values in parentheses are for reference.

Note2: The torque for product mounting screws must never exceed 0.147N·m. And the length of mounting screws must be ≤ 2.0mm.

7.2 REAR VIEW



Unit: mm

Note1: The values in parentheses are for reference.

Note2: The torque for product mounting screws must never exceed 0.147N·m. And the length of mounting screws must be ≤ 2.0mm.