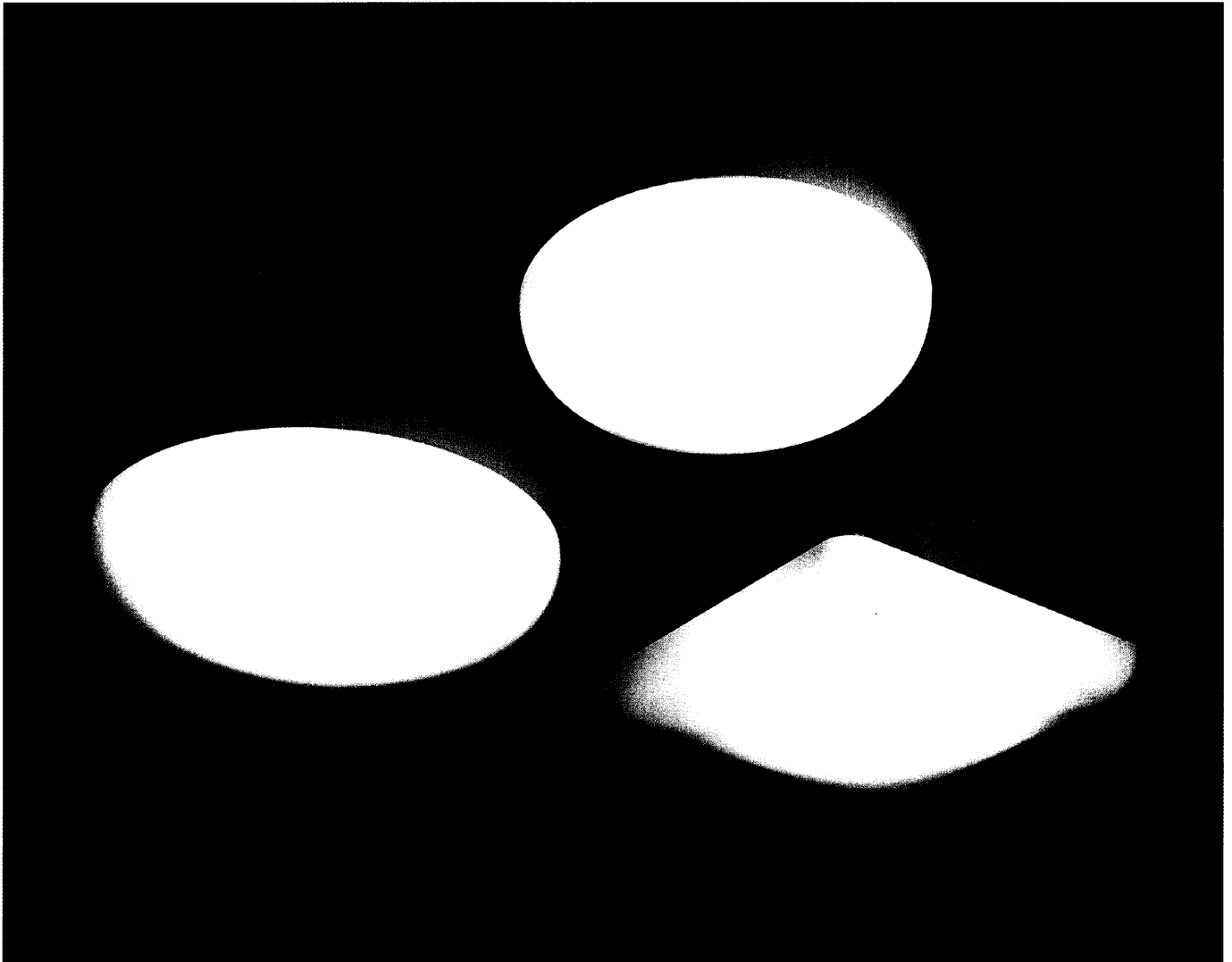


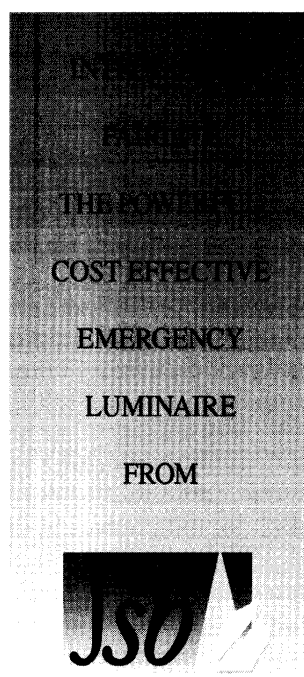
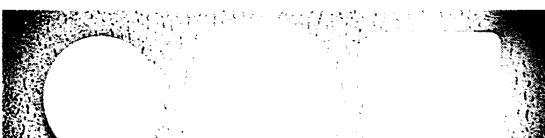
Brighter in emergencies, lighter on your pocket.



What a bright idea. An emergency light which is more powerful yet costs less than most other lights on the market. Introducing the Fairlite, an emergency light whose quality simply shines out.

Quality is of vital importance, so all our design and production procedures adhere to the strict requirements of ISO9001/BS5750 Pt 1.

It's very stylish too. Compact, with a modern shape to enhance its low profile appearance. Plus it's easy to install and backed by our unrivalled reputation in the field of emergency lighting. In fact, the only place the Fairlite won't lighten is your pocket.



Just take a look at these features.

- Light grey body in fire retardant polycarbonate which blends in with most interiors.
- Attractive opal polycarbonate diffuser.
- Compact dimensions.
- Simple to install with quick clip-fit diffuser and gear tray.
- Mains luminaires available with 16 and 28 watt 2D high efficiency compact fluorescent lamps.
- 3-hour emergency luminaires are also available in 4, 10, 16 and 28 watt 2D versions.

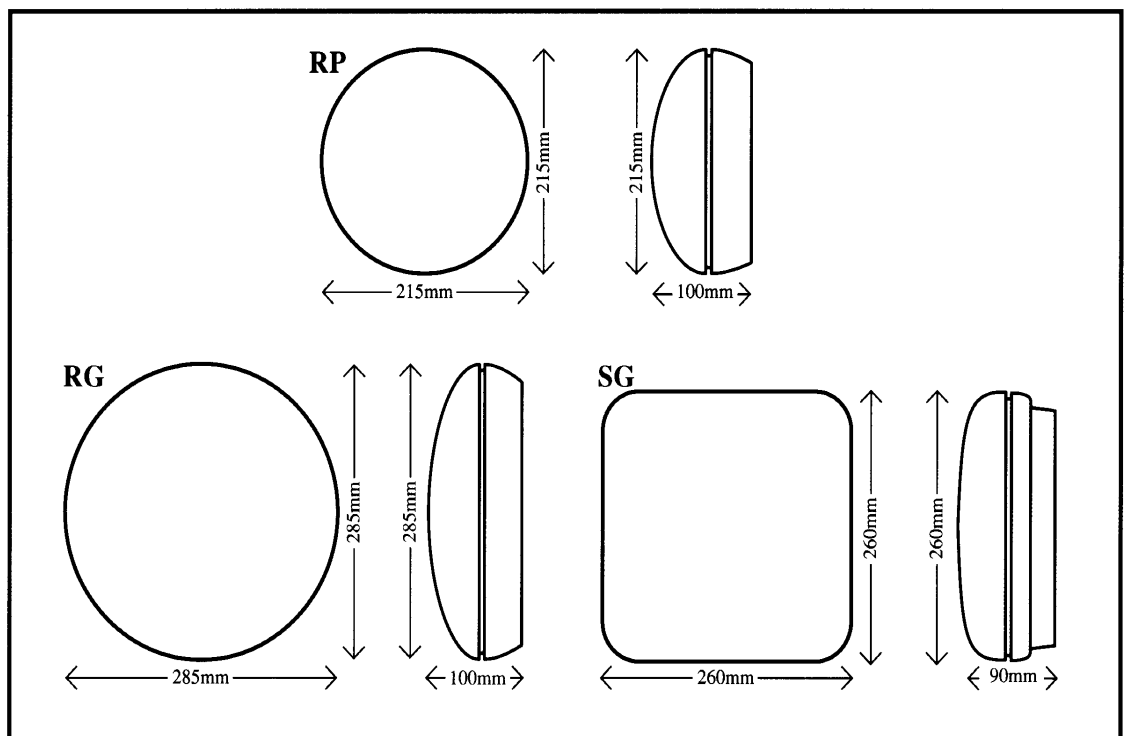
So if you're looking around for an emergency light which combines low cost with high quality, look no further than the Fairlite.



FAIRLITE TECHNICAL SPECIFICATION

Catalogue No.	Category	Type	Rated Voltage	Lamp	Lamp Output <i>in Lumens</i>	
					Emergency	Mains
RP4/3/240	Non-Maintained	Self Contained	230-240v 50/60 Hz	4 watt Fluorescent	60	-
RP4/3M/240	Maintained	Self Contained	230-240v 50/60 Hz	4 watt Fluorescent	60	60
RP10/3/240	Non-Maintained	Self Contained	230-240v 50/60 Hz	10 watt Fluorescent	210	-
RP10/3M/240	Maintained	Self Contained	230-240v 50/60 Hz	10 watt Fluorescent	210	210
RP1161/240/HPF	N/A	Mains HPF	230-240v 50/60 Hz	16 watt 2D Fluorescent	-	925
RG16/3/240	Non-Maintained	Self Contained	230-240v 50/60 Hz	16 watt 2D Fluorescent	190	-
RG16/3M/240	Maintained HPF	Self Contained	230-240v 50/60 Hz	16 watt 2D Fluorescent	190	925
RG1161/240/HPF	N/A	Mains HPF	230-240v 50/60 Hz	16 watt 2D Fluorescent	-	925
RG 1281/240/HPF	N/A	Mains HPF	230-240v 50/60 Hz	28 watt 2D Fluorescent	-	1800
SG16/3/240	Non-Maintained	Self Contained	230-240v 50/60 Hz	16 watt 2D Fluorescent	190	-
SG16/3M/240	Maintained HPF	Self Contained	230-240v 50/60 Hz	16 watt 2D Fluorescent	190	925
SG28/3/240	Non-Maintained	Self Contained	230-240v 50/60 Hz	28 watt 2D Fluorescent	220	-
SG28/3M/240	Maintained HPF	Self Contained	230-240v 50/60 Hz	28 watt 2D Fluorescent	220	1800
SG1281/240/HPF	N/A	Mains HPF	230-240v 50/60 Hz	28 watt 2D Fluorescent	-	1800

For Self Contained Luminaires emergency duration is 3 hours and battery is 3 cell.



 **FOR MORE INFORMATION CALL OUR**