

Europlug

.100" × .200" IDC Version, Type C (Rows A & C Filled)

3695 Series



- DIN 41612 compatible
- High density (64 position)
- Mates with DIN 41612 Type C sockets
- Optional strain relief
- Accepts 3435-1 keying plug system
- Can be daisy-chained or end terminated to flat cable
- Mounting holes for securing europlug to board

Date Modified: February 19, 1999

TS-0187-09
Sheet 1 of 2

49

Physical

Insulation

Material: Glass Filled Polyester (PBT)
Flammability: UL 94V-0
Color: Gray

Contact

Material: Beryllium Copper (C172)
Plating
Underplate: 50 μ " (1.27 μ m) Nickel — QQ-N-290, Class 2
Wiping Area: 30 μ " (0.76 μ m) Gold — MIL-G-45204, Type II, Grade C

Marking: 3M Logo, Part Identification Number

Wire Accommodation: Stranded or Solid: 26 & 28 AWG, Solid: 30 AWG

Electrical

Current Rating: 1 A

Insulation Resistance: $> 1 \times 10^{12} \Omega$ at 500 Vdc

Withstanding Voltage: 1000 Vrms at Sea Level

Environmental

Temperature Rating: -55°C to $+125^{\circ}\text{C}$

UL File No.: E68080

3M Interconnect Solutions Division

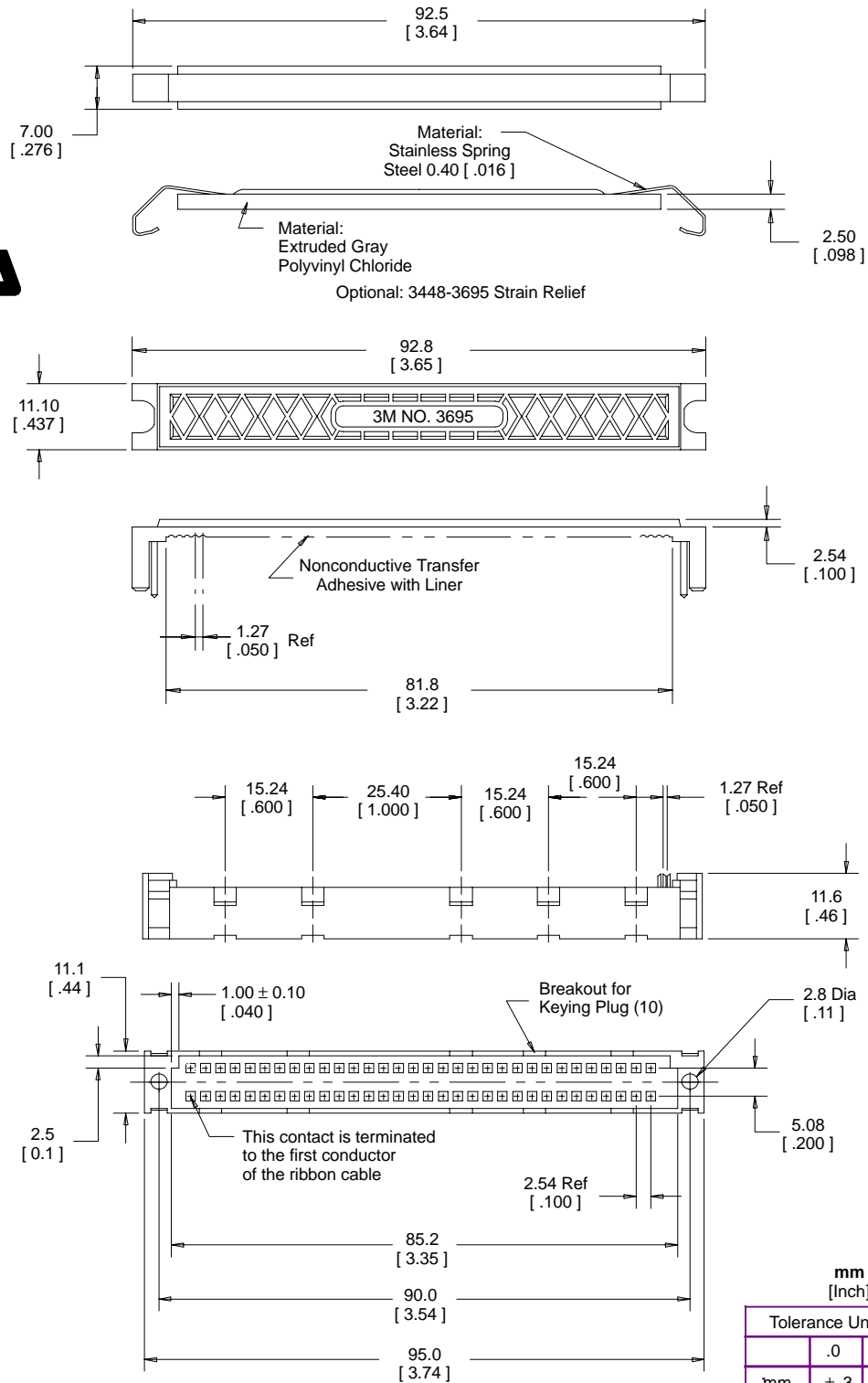
6801 River Place Blvd.
Austin, TX 78726-9000

For technical, sales or ordering information call
800-225-5373

Europlug

.100" × .200" IDC Version, Type C (Rows A & C Filled)

3695 Series



Ordering Information

Europlug
3695-0000

TS-0187-09
Sheet 2 of 2

3M Interconnect Solutions Division

6801 River Place Blvd.
Austin, TX 78726-9000

For technical, sales or ordering information call
800-225-5373