

# Miniature Snap-In Nylon Illuminated Rocker

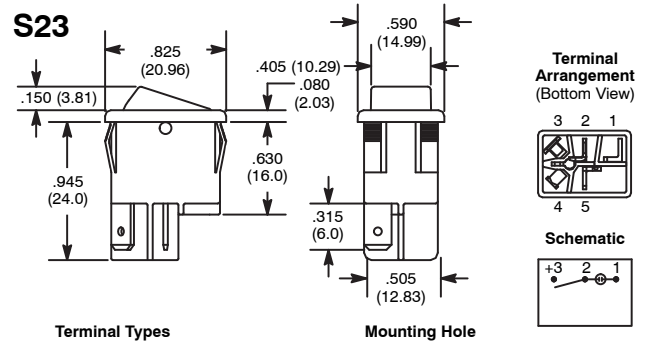


## Features

- Single Pole
- .187" Quick Connect Terminals
- Fits Standard Panel Cutout
- High Inrush Capability
- Shallow base Design



NTE Type No.	Circuitry	Action			Actuator	Lens Color	Diag No.
54-080	SPST	ON	NONE	OFF	Polycarbonate	Red	S23b



**Table 1.**

Panel Thickness	Y
.030 (.762) - .060 (1.52)	.756 (19.20)
.060 (1.52) - .093 (2.36)	.764 (19.40)
.093 (2.36) - .156 (3.96)	.780 (19.81)

Additional dimensions: .187 (4.74) x .032 (.812), .508 (12.9)

## Specifications

**Current Rating:** 12A 125VAC, 8A 250VAC, 1/2 HP 125-250VAC  
**Lamp Voltage:** 125V Neon  
**Insulation Resistance:** 50 Megohms (min.)  
**Dielectric Strength:** 1500V RMS (min.)  
**Temperature Rating:** +32° to +185°F (0° to +85°C)  
**Electrical Life:** 50,000 cycles  
**Mechanical Life:** 100,000 cycles  
**Terminal Type:** .187" Tab Q.C.  
**Mounting Hole:** See Table 1

# Miniature Snap-In Nylon Illuminated Rocker

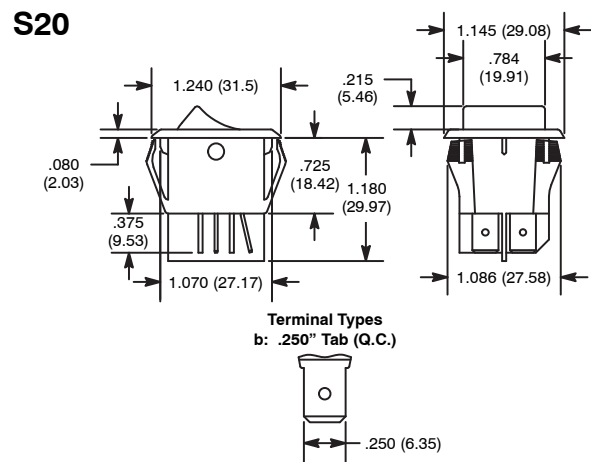


## Features

- Double Pole
- .250" Quick Connect Terminals
- High Inrush Capability



NTE Type No.	Circuitry	Action			Actuator	Lens Color	Diag No.
54-082	DPST	OFF	NONE	ON	Translucent Nylon	Red	S20b



## Specifications

**Current Rating:** 20A 125VAC, 15A 250VAC  
**Lamp Voltage:** 125V Neon  
**Insulation Resistance:** 100 Megohms (min.)  
**Dielectric Strength:** 1000V RMS (min.)  
**Temperature Rating:** +32° to +185°F (0° to +85°C)  
**Electrical Life:** 50,000 cycles  
**Mechanical Life:** 100,000 cycles  
**Terminal Type:** .250" Tab Q.C.  
**Mounting Hole:** 1.125 (28.58) x 1.000 (25.4)