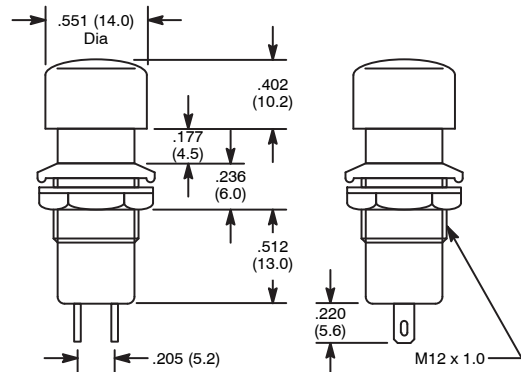


Pushbutton, Single Pole



S25



NTE Type No.	Circuitry	Action		Actuator		Diag No.
				Material	Color	
54-556	SPST	OFF	(ON)	ABS Resin	Red	S25
54-557	SPST	OFF	(ON)	ABS Resin	Yellow	S25
54-558	SPST	OFF	(ON)	ABS Resin	Black	S25

SPECIAL NOTE: () = Momentary Function

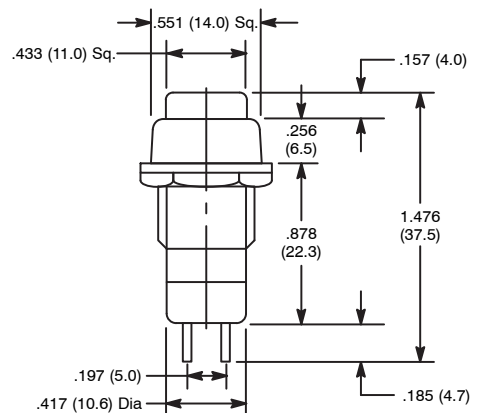
Specifications

Current Rating: 3A 125VAC, 1.5A 250VAC
Insulation Resistance: 100 Megohms (min.) at 500VDC
Dielectric Strength: 1000V RMS (min.)
Temperature Rating: -4° to +149°F (-20° to +65°C)
Electrical Life: 6000 cycles (min.)
Mechanical Life: 100,000 cycles (min.)
Terminal Type: Solder Lug
Mounting Hole: .480 (12.2)

Pushbutton, Single Pole



S109



NTE Type No.	Circuitry	Action		Actuator		Diag No.
				Material	Color	
54-125	SPST	OFF	(ON)	Poly Oxy Methylene	Red	S109

NEW

SPECIAL NOTE: () = Momentary Function

Specifications

Current Rating: 3A 250VAC
Insulation Resistance: 100 Megohms (min.) at 500VDC
Dielectric Strength: 1500V RMS (min.)
Temperature Rating: +14° to +131°F (-10° to +55°C)
Electrical Life: 5,000 cycles
Mechanical Life: 30,000 cycles
Terminal Type: Solder lug
Mounting Hole: .484 (12.3)