

ABSOLUTE DIGIMATIC-HDS Height Gauges

Series 570



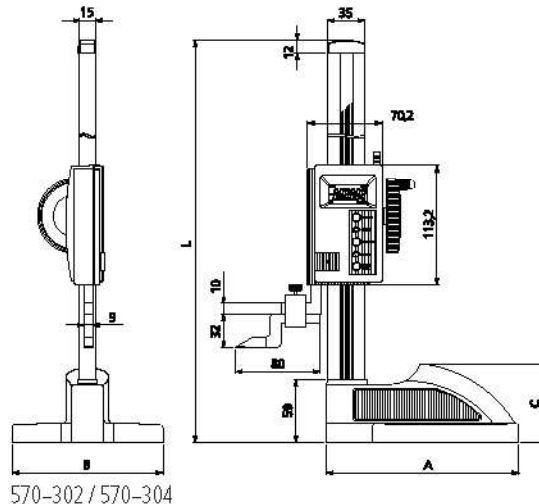
570-302

ABSOLUTE™
Absolute System Patented by MITUTOYO



Measurement with dial test indicator

Measuring range mm	No.	Resolution mm	Error limits mm	L mm	A mm	B mm	C mm	Mass kg
0- 300	570-302	0,01	0,04	507	160	122	726	46
0- 600	570-304	0,01	0,06	812	181	142	74,1	64



TM Patent numbers see page 480

Functions	Series 570	
	570-302	570-304
ORIGIN (ABS zero point setting)	●	●
ABS (absolute measurement)	●	●
Inc (incremental) Measuring function	●	●
HOLD	●	●
Alarm when battery power is low	●	●
Data output	●	●

Specifications

Accuracy: Factory specification

Delivered including 1 battery, scriber
and scriber holder

Optional accessories

No. 905338 Signal cable (1 m)

No. 905409 Signal cable (2 m)

No. 900321 Clamping device (with dovetail
guidance and holder dia. 8 and 4 mm)

No. 953638 Holder (9 x 9 mm) for securing dial
indicators or probe gauges to the
height gauge and scriber devices,
length: 50 mm



Clamping device
(with dovetail guidance)



Holder

Consumables Spares

No. 938882 Battery SR-44

Scriber and Scriber holder see page 161

Caliper adjustment wheel

The hand wheel enables precise movement of the
caliper over the measuring range.



Large clamping lever

This lever ensures secure fixing of the caliper.



Large display

- Character height: 10 x 3,8 mm
- Also easily legible in darkened rooms



Illustrated to original scale