

This series of elegant looking robust metal cabinet loudspeakers are vandal resistant and can be supplied with or without 100 volt line transformer. The units contain 2 x 20mm knock-out gland entries and have a range of fixing holes for easy installation to wall or ceiling. Recommended for voice evacuation systems, these units are ideally suited for use in shopping centres, prisons, schools, railway stations etc., and can be supplied in optional colours on request. The Safe Bi-Di is a bi-directional 6 watt loudspeaker ideal for corridors. The Safe range can be supplied in compliance with BS 5839 Part 8.

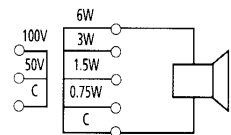
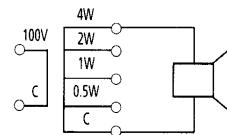
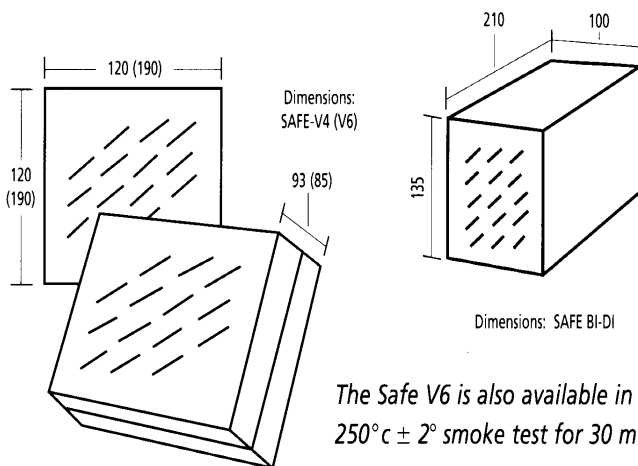
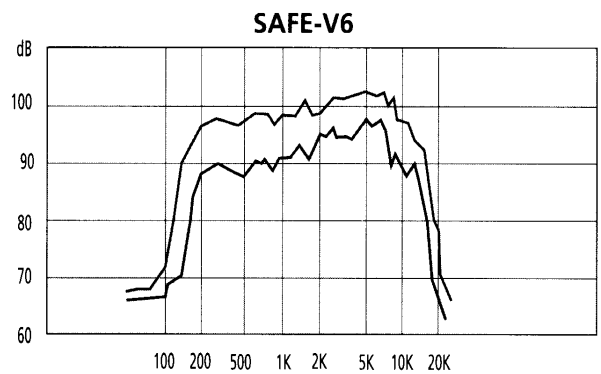
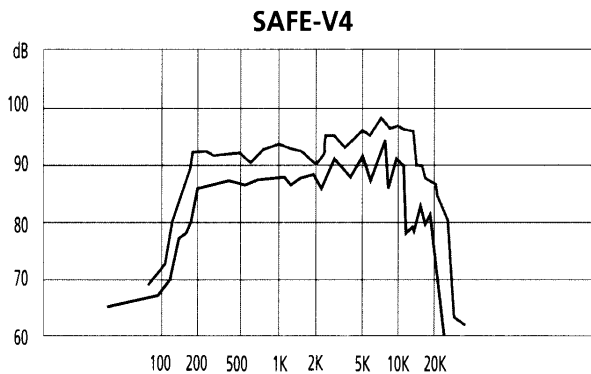
Also available as a flush-mounted unit (Safe FB) with a Zintec box, containing 2 x 20mm knock-out gland entries and as a ceiling speaker (Safe G) with or without firedome.

**NEXT**<sup>TM</sup>  
**2**  
**TWO**

*Sound Solutions*



	SAFE-V4	SAFE-V6/V6F*	SAFE BI-DI
Dimensions front and depth, mm	120 x 120 x 93 (V) 120 x 120 x 91 (FB) *With fire dome 125 x 125 x 108* (G)	190 x 190 x 85 (V) 190 x 190 x 83 (FB) 210 x 210 x 102* (G)	210 x 135 x 100
Ceiling cut-out required, mm	111 (G)	189 (G)	-
Colour / finish	White RAL 9010/Mild Steel, epoxy coated (V) Zintec flush box (FB) Epoxy coated (G)	White RAL 9010/Mild Steel, epoxy coated (V) Zintec flush box (FB) Epoxy coated (G)	White RAL 9010/Mild Steel, epoxy coated
Mounting (G)	6mm fixing holes	6mm fixing holes	6mm fixing holes
Terminal	Spring Clamp	Spring Clamp	Spring Clamp
Net weight alone / with transformer, Kg	1.08 / 1.26 (V) 0.27 / 0.78 (FB) 0.26 / 0.76 (G)	1.8 / 1.98 (V) 1.3 / 1.6 (FB) 0.16 / 0.21 (G)	2.0
Transformer power tapings, watts	0.5, 1.0, 2.0, 4.0	0.75, 1.5, 3.0, 6.0	0.75, 1.5, 3.0, 6.0
Input impedance standard model, ohms	20k, 10k, 5k, 2.5k	13.33k, 6.66k, 3.33k, 1.66k	13.33k, 6.66k, 3.33k, 1.66k
Rated power, watts	4	6	6
Maximum power, RMS, watts	6	8	6
Dispersion at 1000 Hz, degrees° conical	120	120	180
Low impedance power, watts	12	10	2 x 12 watt
Impedance, ohms	8	8	4 or 16
Effective frequency range, Hz	120 - 10,000	110 - 12,000	120 - 10,000
Sound pressure level, power watts / 1m, dB	93	97.5	92 (x2)
Sound pressure level, 1 watt / 1m, dB	87	90	87
Q Factor	0.224	0.439	-



The Safe V6 is also available in a HIGH TEMPERATURE version. The product withstands 250°c ± 2° smoke test for 30 minutes and fan circulated oven at 150°c ± 2° for 24 hours.

**As loudspeaker specialists,**  
Next Two are committed to help you  
fulfil your speaker requirements.  
Your success guarantees ours.

**Next Two Limited**  
Bellbrook Industrial Estate,  
Uckfield, East Sussex TN22 1QL  
Tel: +44 (0)1825 765478  
Fax: +44 (0)1825 768746  
e-mail: nexttwo@compuserve.com

