

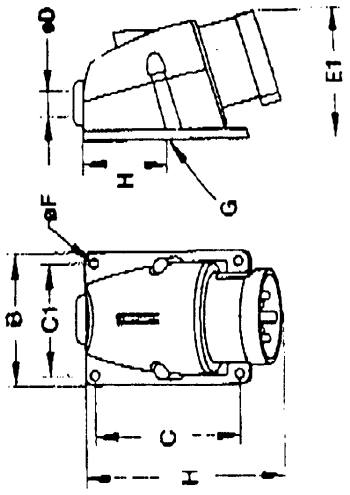
63	2P+E	K9356 YEL 4	K9355 BLU 6		6 - 25	165	168	206	132 x 152	2 x 32mm
63	3P+E	K9342 RED 6	K9343 RED 11	K9344 BLK 6	6 - 25	165	168	206	132 x 152	2 x 32mm
63	3P+N+E	K9352 RED 6	K9353 RED 11		6 - 25	165	168	206	132 x 152	2 x 32mm

Earth Hour Position *Solid or Stranded conductors *Fitted with M25 adapter

IP 44 SPLASHPROOF APPLIANCE INLETS ANGLED SURFACE MOUNTING 16 AND 32 AMP

TOP CONDUIT OR REAR CABLE ENTRY, COMPLETE WITH BLANKING PLUG

IP 44 SPLASHPROOF



528-316

Amps	Pin. Config-uration	List No	100-130V 50-60Hz	List No	200-250V 50-60Hz	List No	380-415V 50-60Hz	List No	480-500V 50-60Hz	Cable Diameter min	max	Terminal Capacity sq. mm*	Dimensions in mm						Top Conduit Entry D	Rear Entry G	
													B	C	C1	E1	F	H			I
16	2P+E	K9700 YEL4	K9701 BLU 6	*						8.2	14	1.5-10	66	75	54	72	5.5	110	30	M20	Ø23
16	3P+E											1.5-10	79	91	67	78	5.5	124	30	M20	Ø23
16	3P+N+E	K9709 YEL4	K9710 BLU 9	K9711 RED 6						10.1	16.5	1.5-10	79	91	67	81	5.5	125	30	M20	Ø23
32	2P+E	K9732 YEL4	K9733 BLU 6							11.7	19.5	1.5-10	85	111	72	94	5.5	153	33	M25	Ø29
32	3P+E											1.5-10	85	111	72	94	5.5	153	33	M25	Ø29
32	3P+N+E	K9740 BLU 9	K9741 RED 6							11.7	19.5	2.5-10	85	111	72	96	5.5	154	33	M25	Ø29

Earth Hour Position *Solid or Stranded conductors 1-5-10 mm² 30/6/00

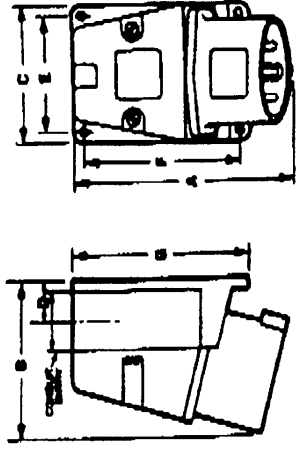


DIAGRAM
WRONG
13/6/00

APPLIANCE INLETS ANGLED SURFACE MOUNTING 63AMP

IP 44 SPLASHPROOF