

IQXO-53, -57

ISSUE 12; 19 OCTOBER 2004

Delivery Options

- Common frequencies are available from stock. Please see stock list or contact sales office

Output Compatibility

- HCMOS/LS TTL
- Drive Capability 15pF
- Tri-state (IQXO-57, -57I)
- Non tri-state (IQXO-53, 53I)

Package Outline

- SMD plastic encapsulated device. Available over 0 to 70°C (IQXO-53, -57) or -40 to 85°C (IQXO-53I, -57I)

Standard Frequency Stabilities

- ±50ppm, ±100ppm (inclusive of supply voltage variations over the operating temperature range)

Operating Temperature Range

- 0 to 70°C (IQXO-53, -57)
- 40 to 85°C (IQXO-53I, -57I)

Storage Temperature Range

- 50 to 125°C

Tri-state Control

- Logic '1' to pad 1 enables oscillator output, 2.0V min
- Logic '0' to pad 1 disables oscillator output; when disabled the oscillator output goes to the high impedance state, 0.8Vmax
- No connection to pad 1 enables oscillator output
- When oscillator is enabled, maximum transition time = 100ns

Solder Conditions

- For typical soldering conditions, please see the relevant pages in Applications Notes

Marking

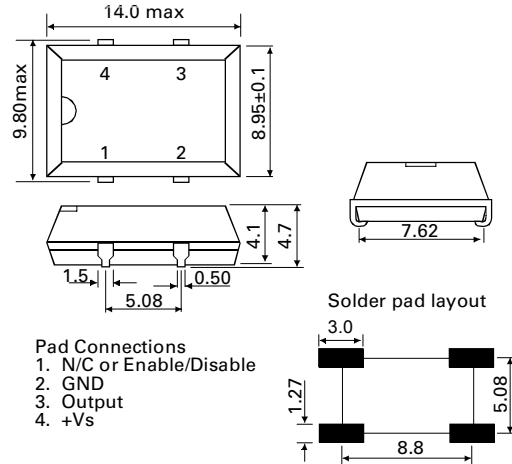
- Model Number (+ Operating Temperature Code; if applicable)
- Frequency Stability Code
- Frequency
- Date Code

Minimum Order Information Required

- Frequency + Model Number + Frequency Stability + Operating Temperature Range (if applicable)

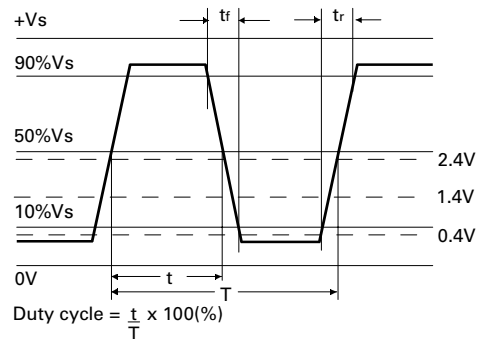
- Please refer to our programmable oscillator chapter for fast make products

Outline in mm

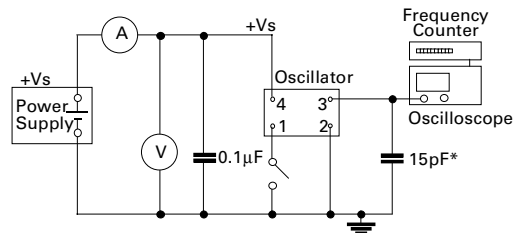


Note: Pad 1 = No connection on non tri-state models

Output Waveform - HCMOS/LS TTL



Test Circuit - HCMOS



*Inclusive of jigging & equipment capacitance

Note: Pad 1 = No connection on non tri-state models

Electrical Specification - maximum limiting values when measured in HCMOS test circuit

Frequency Range	Frequency Stability	Supply Voltage	Supply Current	Rise Time(tr)	Fall Time (tf)	Duty Cycle	Model Number
1.0 to < 26.0MHz	±50ppm, ±100ppm	5V±0.5V	15mA	8ns	8ns	40/60%	IQX0-53, 53I 57, 57I
26.0 to < 40.0MHz	±50ppm, ±100ppm	5V±0.5V	30mA	8ns	8ns	40/60%	IQX0-53, 53I 57, 57I
40.0 to < 50.0MHz	±50ppm, ±100ppm	5V±0.5V	30mA	6ns	6ns	40/60%	IQX0-53, 53I 57, 57I
50.0 to 60.0MHz	±50ppm, ±100ppm	5V±0.5V	38mA	6ns	6ns	40/60%	IQX0-53, 53I 57, 57I

Ordering Example

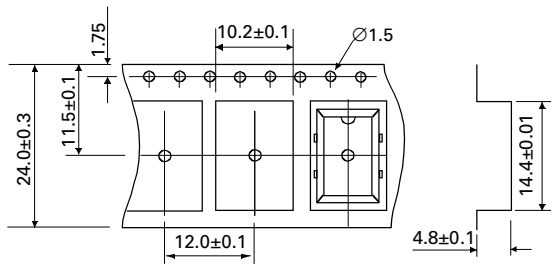
Frequency 24.0MHz IQX0-57I C
 Model number: 57, 57I = Tri-state 53, 53I = Non Tri-state
 Operating Temperature Code: I = -40 to 85°C; Not applicable for 0 to 70°C
 Frequency Stability: B = ±50ppm; C = ±100ppm

Please note that the rise and fall times listed are the maximum values we specify to cover various frequency breaks. In practice the actual values are generally lower depending upon the spot frequency chosen. For typical values please contact our sales office.

For higher frequencies than shown above, please see our CFPP-57 series.

SURFACE MOUNT
SPX05

Outline in mm - Tape



Outline in mm - Reel

