



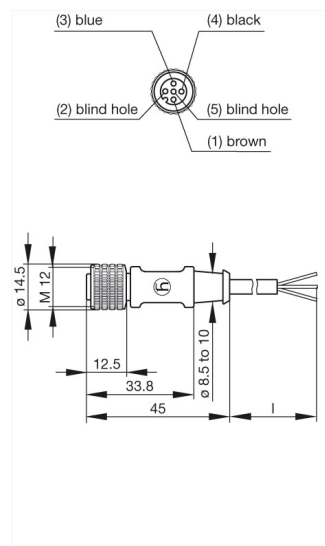
EF123 PUR3x034L0200 50

Industrial Connectors: Circular Connectors E-series M12/FIXCON: with screw locking: Straight cable socket with integrally molded lead

Product description

Description	Straight cable socket, with integrally molded lead, self-securing lock nut
Type	EF123 PUR3x034L0200 50
Order No.	934 401-203
Other standard types	black housing, cable material PUR, cable length 5 m: order no. 934 401-202; black housing, cable material PVC, cable length 2 m: order no. 934 401-103; cable length 5 m: order no. 934 401-102
Type of contact	female
Number of contacts	3
Cable material	PUR
Cable color	black
Cable length	2 m
Conductor size	0.34 mm ²
Cable specification	high flexible lead
Standard	IEC 61076-2-101 (Ed. 1)/ IEC 60947-5-2
Housing Color	black

Drawing



Technical data

Wire stranding	42 x 0.1
Rated voltage	250 V AC/DC
Rated current	4 A

Material

Contact material	Cu Sn 6
Contact surface material	Au
Contact bearer material	PUR
Housing material	PUR

Coupling nut material	Zn Al/Ni
O-Ring	Viton
Environmental conditions	
Protection class (IEC 60529)	IP 68 / IP 69K
Pollution severity	3
Temperature range	-25 °C to +90 °C (UL: +80 °C)
Inflammability class	
Cable	fire resist. IEC 332-2
Contact bearer	complies with 94 HB
Approvals	
UL	UL pending
Packaging unit	
Packaging unit	50 pieces
Scope of delivery and accessories	
Accessories to order separately	protective cap M 12 VS, order no. 734 209-100