



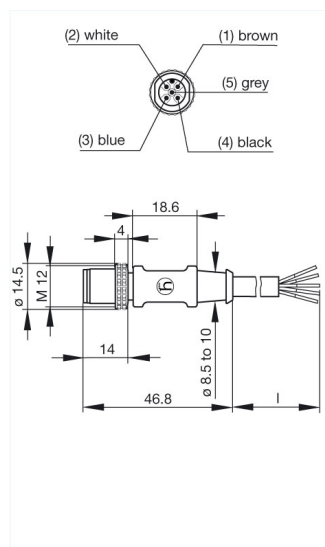
## EM125 PUR5x034L0200 50

Industrial Connectors: Circular Connectors E-series M12/FIXCON: with screw locking: Straight cable plug with integrally molded lead

### Product description

Description	Straight cable plug, with integrally moulded lead, self-securing lock nut
Type	EM125 PUR5x034L0200 50
Order No.	934 403-220
Other standard types	grip colour black, cable material PUR, cable length 5 m: order no. 934 403-221; grip colour black, cable material PVC, cable length 2 m: order no. 934 403-120; cable length 5 m: order no. 934 403-121
Type of contact	pin
Number of contacts	5
Cable material	PUR
Cable color	black
Cable length	2 m
Conductor size	0.34 mm <sup>2</sup>
Cable specification	high flexible lead
Standard	IEC 61076-2-101 (Ed.1)
Housing Color	black

### Drawing



### Technical data

Pin dimensions	1 mm
Wire stranding	42 x 0.1
Rated voltage	UC 60 V
Rated current	4 A

### Material

Contact material	Cu Sn 6
Contact surface material	Au
Contact bearer material	PUR
Housing material	PUR
Coupling nut material	Zn Al/Ni

### Environmental conditions

Protection class (IEC 60529)	IP 68 / IP 69K
Pollution severity	3
Temperature range	-25 °C to +90 °C (UL: +80 °C)
<b>Inflammability class</b>	
Cable	fire resist. IEC 332-2
Contact bearer	94 HB
<b>Approvals</b>	
UL	UL pending
<b>Packaging unit</b>	
Packaging unit	50 pieces