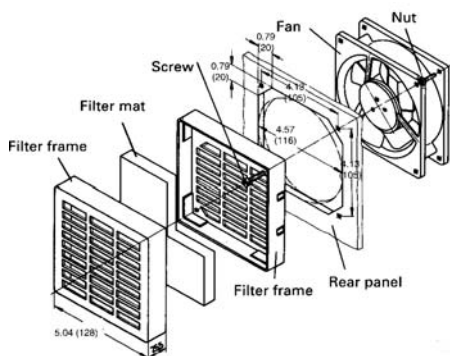


Part Number	Series
LZ212	8300
LZ260	8300
LZ261	8400
LZ212	3300
LZ260	3300
LZ210	9000
LZ40N	9000
LZ40-1	9000
LZ60	9000
LZ210	4000
LZ40N	4000
LZ40-1	4000
LZ60	4000
LZ212	4300
LZ260	4300
LZ210	5100
LZ210	5600
LZ210	5200
LZ210	5900
LZ210	7000
LZ370	VARIOFAN

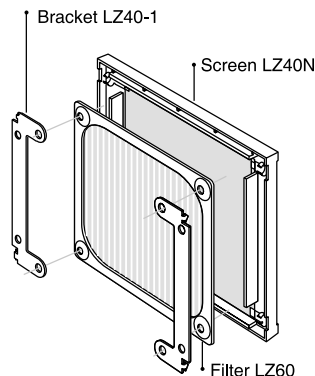
### Filter Kit for 119mm fans

10016-1-5170	Grill Guard
10017-1-5170	Grill Guard and Filter
10018-1-5170	Grill Guard, Filter, Spacer



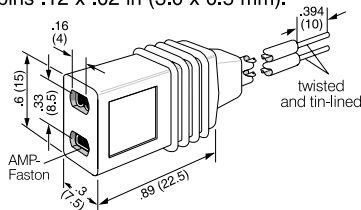
### LZ 40N / LZ 40-1 / LZ 60

LZ40N of black, fiberglass reinforced plastic with inserted aluminium wire mess LZ60. Mounting with brackets LZ40-1.



### LZ 120

Connecting cable with molded plug. (PVC, black). Stranded wires with multi-core cable ends. For all types of fans with flat pins .12 x .02 in (3.0 x 0.5 mm).



Type	Cable Length in. (mm)	Pins
LZ120	24 (610)	.02 (.5)
LZ126	39.4 (1000)	.02 (.5)

Additional versions are available on special order

### ebm Plug and Cord Sets

.110 x .02 inch (2.8 x .5 mm)

#### STRAIGHT CONNECTION

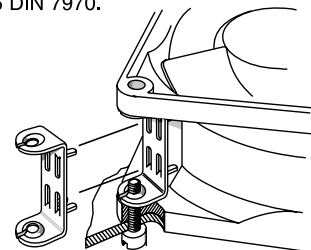
24 inch (610mm)	1434-4-6711
39 inch (1000mm)	1477-4-6711
79 inch (2000mm)	1505-4-6711

#### RIGHT ANGLE CONNECTION

24 inch (610mm)	1434-4-6711-1
36 inch (914mm)	1434-4-6711-3
80 inch (2032mm)	1434-4-6711-80

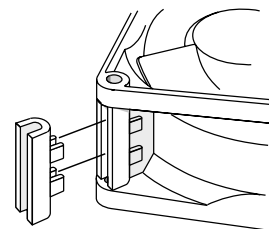
### LZ212

Screw clip of rust-resistant spring steel. For mounting fans with threaded pin 3.5 DIN 7970.



### LZ260 / LZ261

Spacer of fiberglass reinforced plastic. For screw mounting over both fan and mounting flanges.



### LZ370

Temperature sensor for speed-controlled fan operation. Temperature range 30...50 C.



Required performance date:

R <sub>25</sub>	= 100 KΩ ±5%
B-value	= 4190 ± 2%
P <sub>max</sub>	= 0,25 W

### LZ210

Screw clip of hardened steel. For mounting fans with threaded pin 6-32 UNC and/or 3.5 DIN 7970.



### 2678-2-2945

Plastic shock and vibration mount for 119/120 mm fans.

