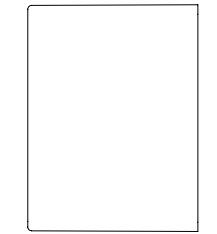
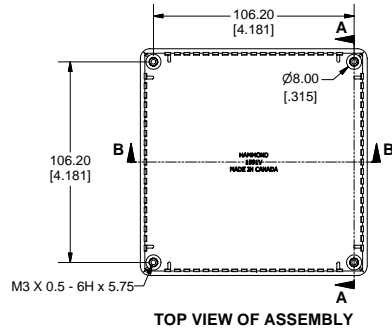


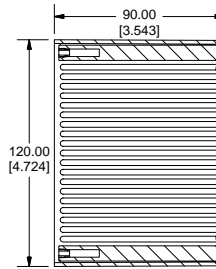
1591VFL Enclosure



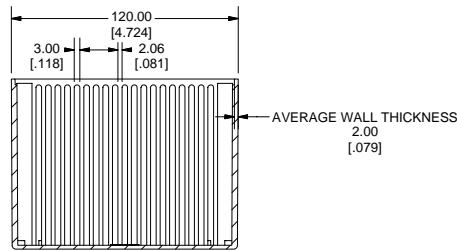
SIDE VIEW OF ASSEMBLY



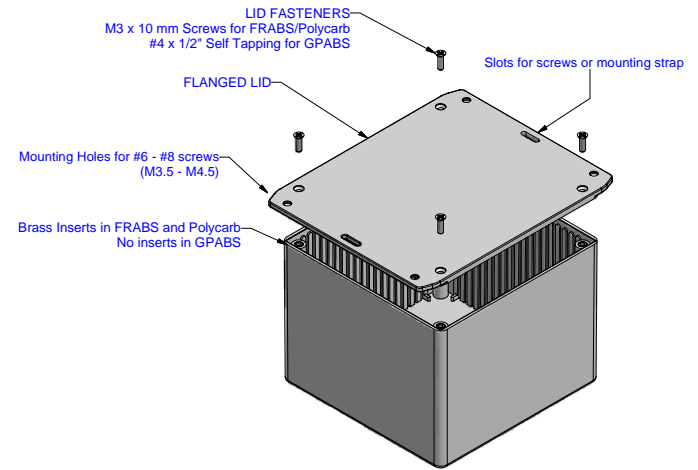
TOP VIEW OF ASSEMBLY



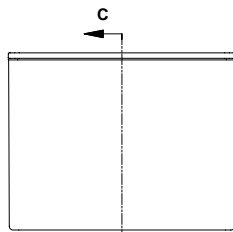
SECTION A-A



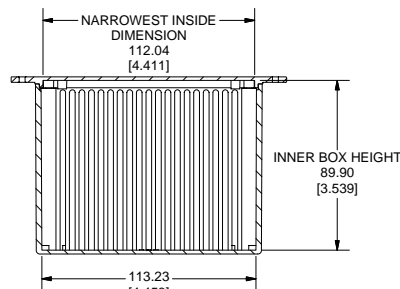
SECTION B-B



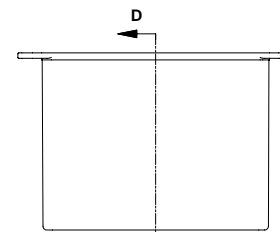
EXPLODED VIEW OF ASSEMBLY



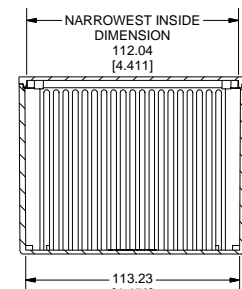
END VIEW OF ENCLOSURE



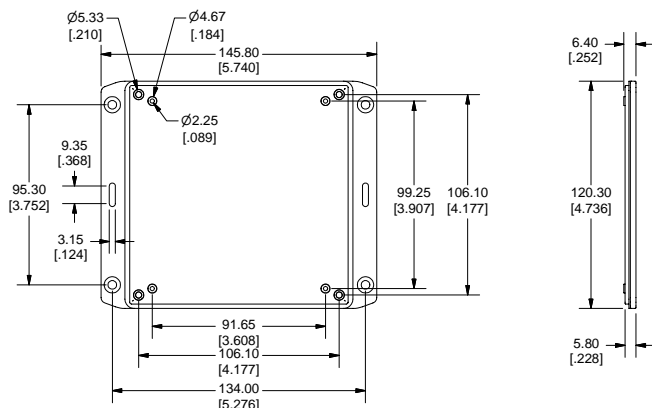
SECTION C-C



SIDE VIEW OF ENCLOSURE



SECTION D-D



Note:
Enclosures can be Factory Modified (Milling, Drilling, Printing etc.)
Solid models of this enclosure available in STEP or IGES Format.
Contact Factory mjm@hammondmfg.com

PART NUMBERS		
1591V Flanged Lid Enclosures		
Material	Colour	Part Number
FRABS UL94 - V0	Black	1591VFLBK
	Grey	1591VFLGY
Accessories		
Description	Part Number	
Used with ABS Enclosures	PC Board Card Adapters	See Accessories Section
	Replacement Screws, Flat Head Phillips Nickel Plated Pack of 100.	1591MS100 1591MS100BK (Black)
Recommended Torque on Fasteners (no lubrication)		
M3 - 0.5 x 10mm Screws		30-40 cN*m
#4 x 0.5 Screws		30-40 cN*m