

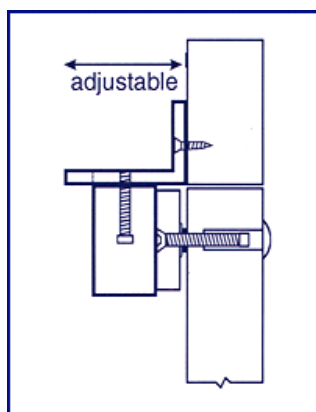
MCX300U & MCX300M Maxi E.M.Lock



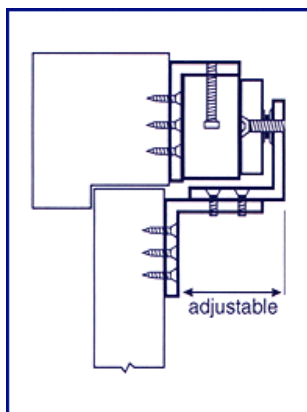
Technical Information

Model	MCX300U	MCX300M
Input voltage	12/24V	12/24V
Current consumption (quiescent)	430mA (+/- 2.5%@13.5v)	440mA (+/- 2.5%@13.5v)
Holding force	300kgs (660lb)	300kgs (660lb)
Lock size (L)	250mm	250mm
Lock size (H)	47mm	47mm
Lock size (W)	26mm	26mm
Magnetic bond sensor	No	yes
Bi colour LED.	No	Yes
Door status switch	No	No
Monitored changeover	No	Yes
Mounting	surface	surface
Z & L Bracket	ZL300MCX	ZL300MCX

Installation Drawings



L Bracket Installation
Outward door installation



Z Bracket Installation
Inward door installation