

Honeywell

FARNELL CODE 424 5507



*Representative photograph,
actual product appearance
may vary.*

*Due to regional agency
approval requirements,
some products may not be
available in your area.
Please contact your
regional Honeywell office
regarding your product of
choice.*

SZL-VL-A

**General Purpose Limit Switch, VL Series; Side
Rotary/Roller Lever Standard; 1NC 1NO SPDT; Double
Break**

Features

- Gold plated silver contacts
- Compact design for small mounting space
- Special design for easy wiring with ample wiring space
- Two-circuit double-break
- Diecast base and plastic cover
- Standard mounting dimensions
- Long mechanical life
- 5 Amp current capacity
- Ambient Temp Range: -20 °C to 60 °C [-4 °F to 140°F]
- UL, C-UL, CE approved

Typical Applications

- Machine Tools
- Material Handling
- Food processing machinery
- Conveyors
- Packaging machinery

Description

The new economical SZL-VL Series miniature type limit switches are specially designed for applications of small mounting space. These miniature switches are ideal for OEM machinery which requires a rugged and reliable limit switch that is capable of being mounted in space restricted applications. A wide range of actuators add additional flexibility. A special pre-molded flexible cable gland allows for fast and simple wiring termination.



SZL-VL-A

General Purpose Limit Switch, VL Series; Side Rotary/Roller Lever Standard; 1NC 1NO SPDT; Double Break

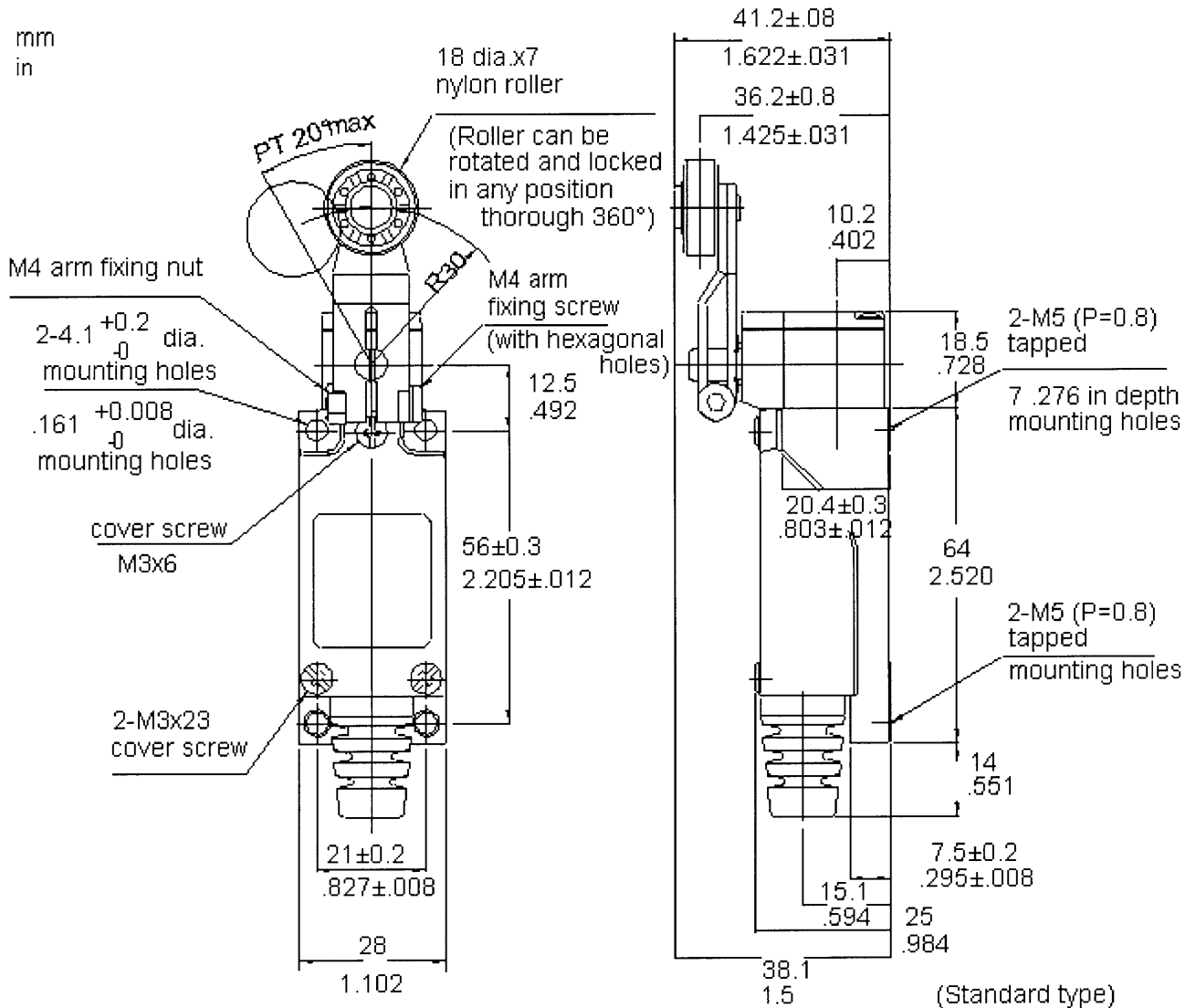
Product Specifications	
Availability	North-America; Asia-Pacific
Operating Force (O.F.)	5,88 N max. [1.32 lbs max.]
Release Force (R.F.)	0,49 N min. [0.11 lbs min.]
Pretravel (P.T.)	20° max.
Overtravel (O.T.)	75° min.
Differential Travel (D.T.)	10° max.
Product Type	Miniature Limit Switches
Actuator	Side Rotary - Roller Lever Standard
Lever Style	None
Circuitry	1NC 1NO SPDT; Double Break
Ampere Rating	5.0 A / 0.4 A
Supply Voltage	250 Vac max. / 125 Vdc max.
Housing Material	Zinc Die-Cast / Plastic
Termination Type	Cable Gland
Series Name	VL Series
Shock	10 g max.
Vibration	55 Hz at double amplitude of 1.5 mm
Sealing	IP64
Approvals	UL, C-UL, CE
UL File #	E150950
Mechanical Life	up to 10 million operations
Operating Temperature Range	-20 °C to 60 °C [-4 °F to 140 °F]
Sealed	Industrial



SZL-VL-A

General Purpose Limit Switch, VL Series; Side Rotary/Roller Lever Standard; 1NC 1NO SPDT; Double Break

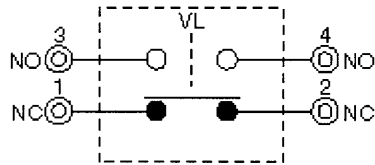
mm
in



Honeywell

SZL-VL-A

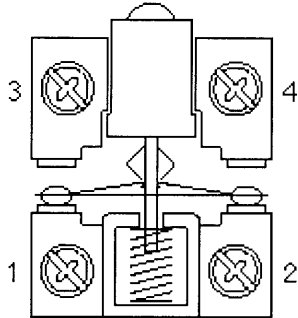
**General Purpose Limit Switch, VL Series; Side Rotary/Roller Lever Standard; 1NC
1NO SPDT; Double Break**



Honeywell

SZL-VL-A

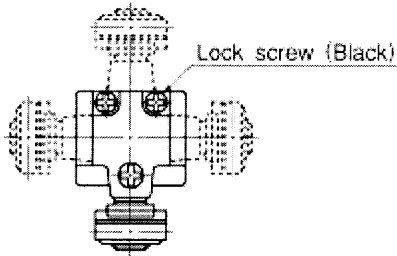
**General Purpose Limit Switch, VL Series; Side Rotary/Roller Lever Standard; 1NC
1NO SPDT; Double Break**



Honeywell

SZL-VL-A

**General Purpose Limit Switch, VL Series; Side Rotary/Roller Lever Standard; 1NC
1NO SPDT; Double Break**



Honeywell

SZL-VL-A

**General Purpose Limit Switch, VL Series; Side Rotary/Roller Lever Standard; 1NC
1NO SPDT; Double Break**

 WARNING

PERSONAL INJURY

DO NOT USE these products as safety or emergency stop devices, or in any other application where failure of the product could result in personal injury.

Failure to comply with these instructions could result in death or serious injury.

 WARNING

MISUSE OF DOCUMENTATION

- The information presented in this product sheet (or catalog) is for reference only. DO NOT USE this document as product installation information.
- Complete installation, operation and maintenance information is provided in the instructions supplied with each product.

Failure to comply with these instructions could result in death or serious injury.

©Copyright Honeywell Inc. 1998-2003 All rights reserved.