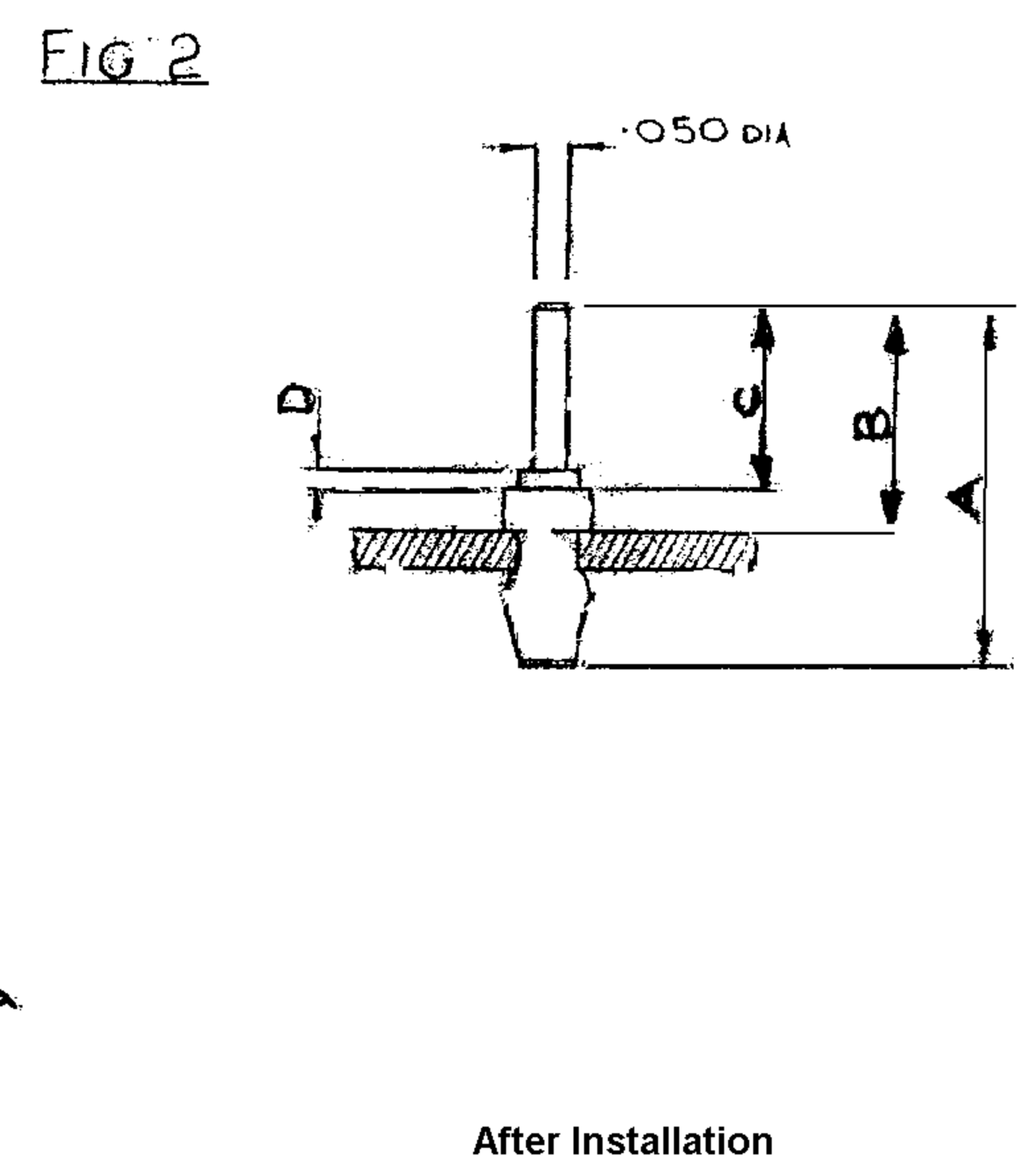
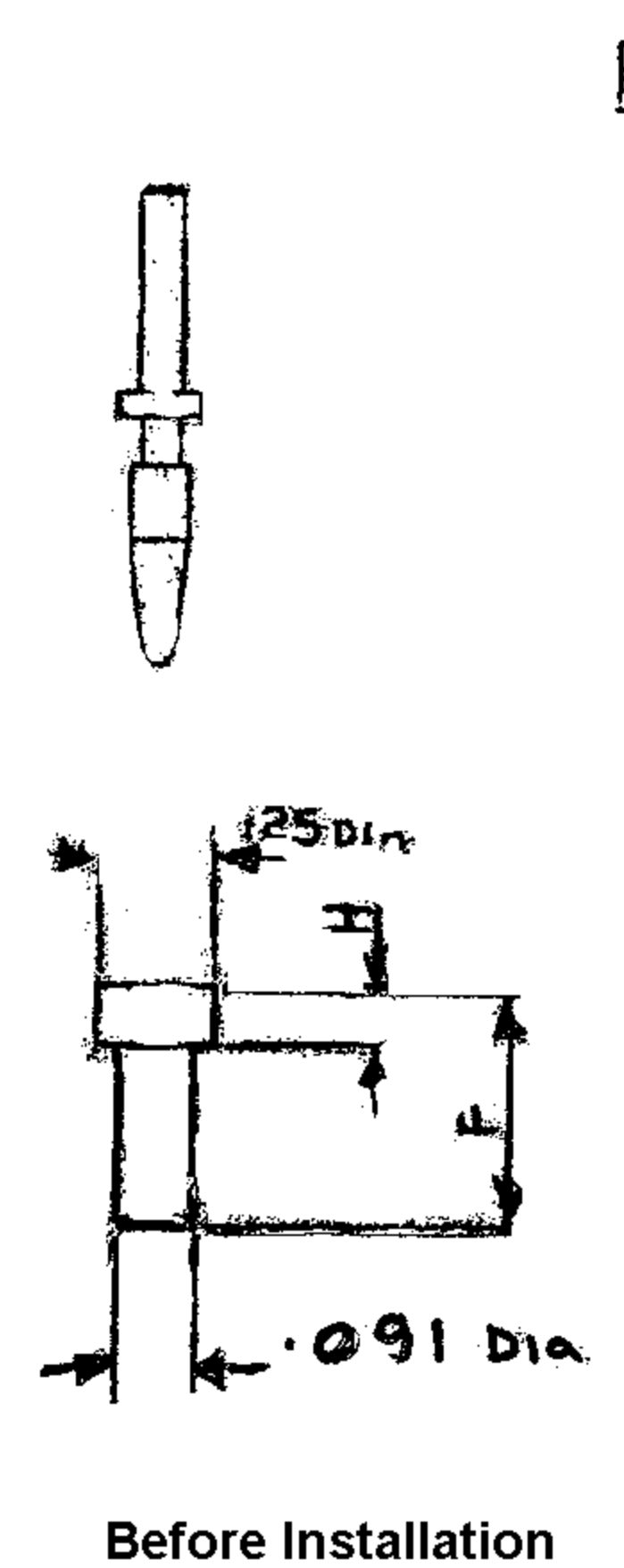
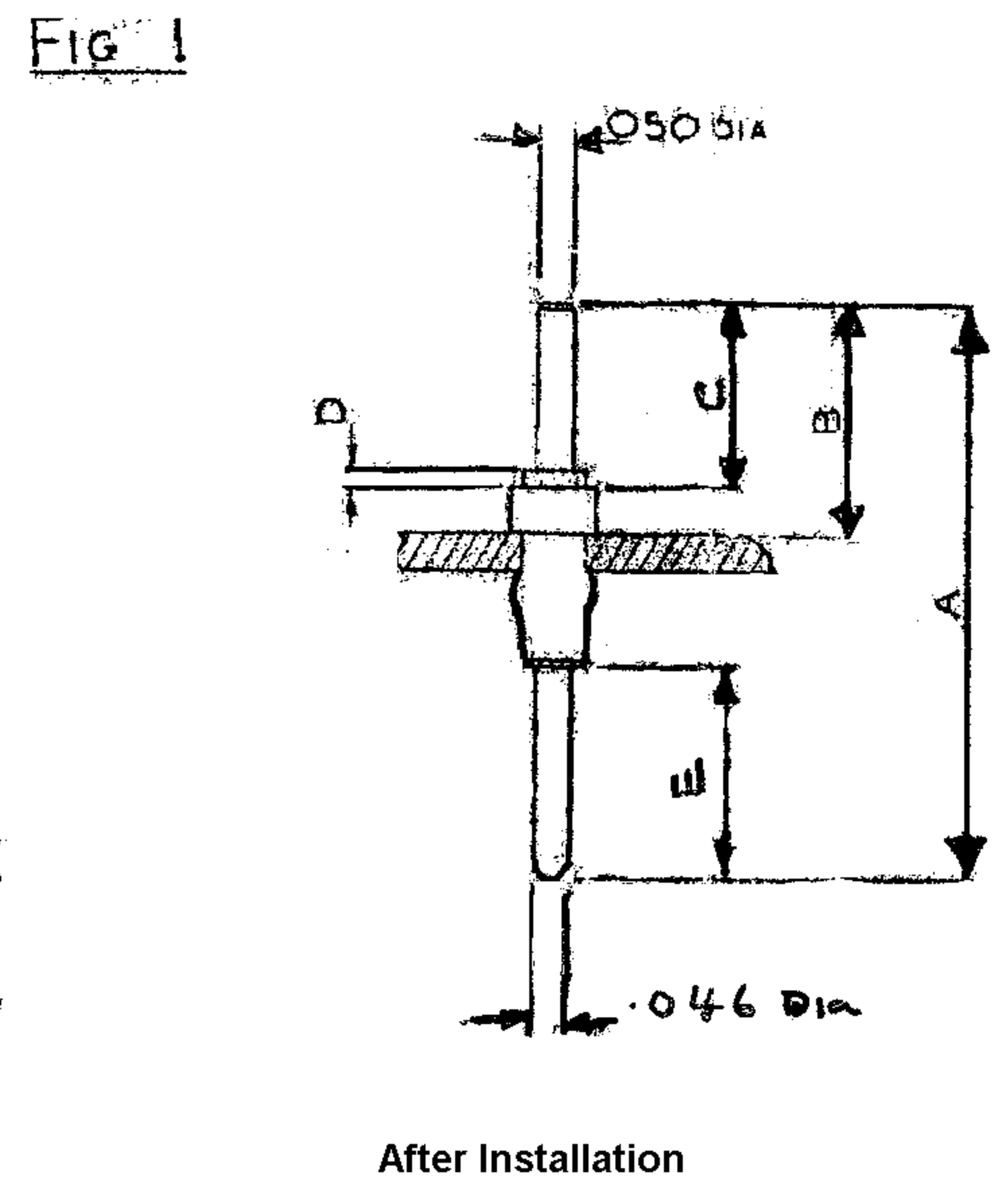
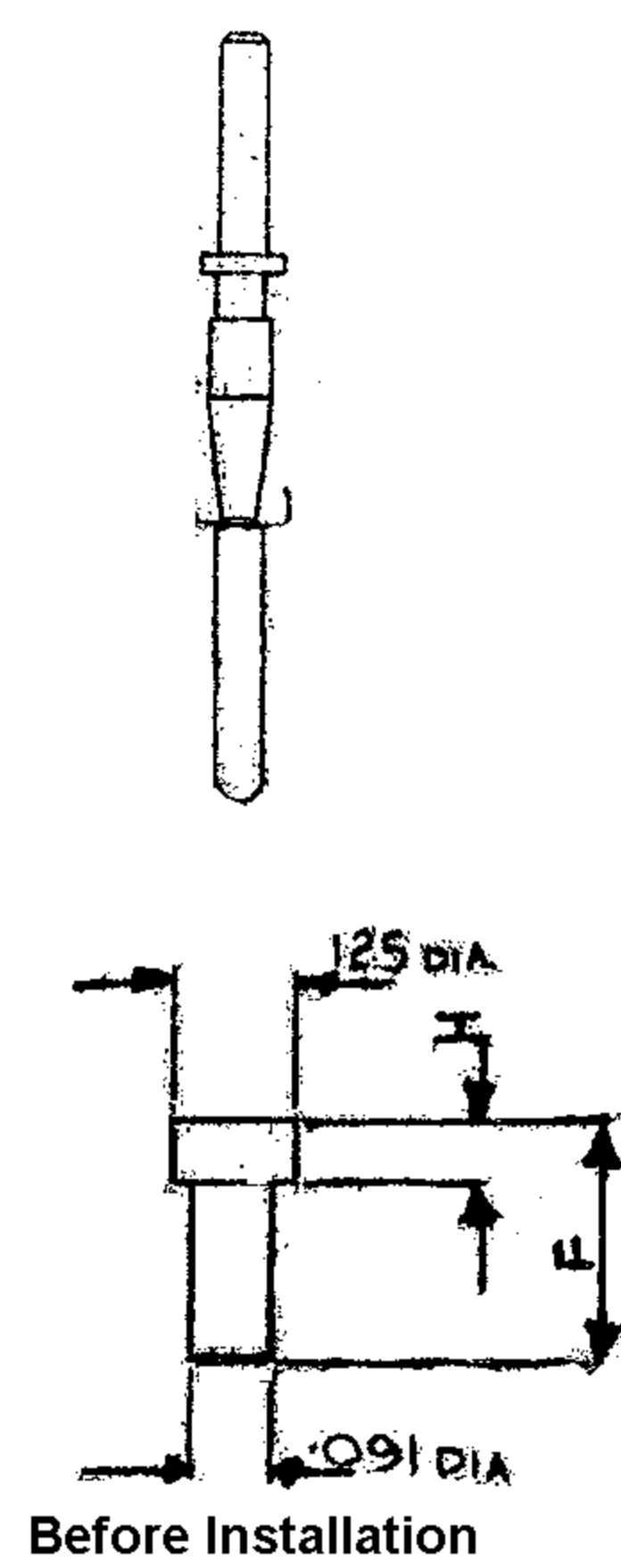


ISS	CHANGE	DATE
2	SPT 21 WAS SPT 27 SPT 27 WAS SPT 21	15/10/69 8/6/32
3	INSERTION TOOL N° ADD'D	17/7/70

Catalogue Number	Computer Code	Description
SPT 21	203-1407-001510	Lug
	103-1407-001009	Bush
SPT 22	203-1408-001510	Lug
	103-1408-001009	Bush
SPT 23	201-1409-001510	Lug
	103-1409-001009	Bush
SPT 24	201-1410-001510	Lug
	101-1410-001009	Bush
SPT 25	201-1411-001510	Lug
	101-1411-001009	Bush
SPT 26	201-1412-001510	Lug
	101-1411-001009	Bush
SPT 27	203-1409-001510	Lug
	101-1412-001009	Bush



CAT N°	FIG N°	DIM A	DIM B	DIM C	DIM D	DIM E	DIM F	DIM H	THICKNESS OF PANEL
SPT 21	2	294	194	140	020	—	160	060	026
SPT 22	2	420	230	170	020	—	250	060	032 MIN - 064 MAX
SPT 23	1	437	197	137	020	144	156	060	036
SPT 24	1	500	200	140	020	157	203	060	048
SPT 25	1	562	216	156	020	186	250	060	064
SPT 26	1	625	248	188	020	187	250	060	064 MIN - 092 MAX
SPT 27	2	520	330	270	020	—	250	060	036
SPT 28	1	812	372	312	020	250	250	060	032 MIN - 092 MAX

INSTALLATION DETAILS. DRILL HOLE 0.093 DIA

MATERIAL
 BUSH - TEFLON
 LUG - BRASS
 PLATING - TINNED

INSERTION TOOL N° T0549/05

MATERIAL:		FINISH:		3rd ANGLE PROJECTION	
UNLESS SPECIFIED OTHERWISE DIMENSIONS ARE IN INCHES TOLERANCES					S.P.T. SERIES
FRACT.	DEC.	ANG.			
DRG. BY: D. FARROW	CHKD. BY: [Signature]	APPROVED BY: [Signature]	DRG. No. B.		
DATE: 7-3-69	SCALE: N.T.S.	SURFACE AREA:			