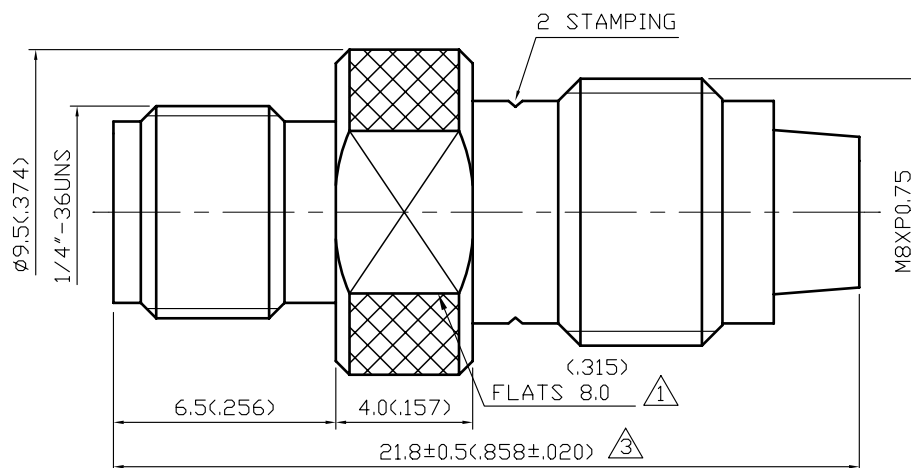


NO	DESCRIPTION	DATE
①	FLAT 9.5X2 — FLATS 8.0	01.31.02'
②	BACKGROUND FORMAT UPDATED	05.02.02'
③	21.8 — 21.8±0.5	01.09.07'
④	BACKGROUND FORMAT UPDATED	10.13.08'



### 1.0 ELECTRICAL

- 1.1 FREQUENCY RANGE: DC-900 MHz  
1.2 NOMINAL IMPEDANCE: 50 OHM

### 2.0 MATERIALS

- 2.1 BODIES: BRASS PER JIS-C3604  
2.2 CENTER CONTACT: BERYLLIUM COPPER PER ASTM B196 UNS C17300  
2.3 INSULATION: TEFLON PER ASTM D1457 AND ASTM D1710

### 3.0 FINISHES AND OTHERS

- 3.1 SEE BELOW TABLE FOR DETAILS.

### 4.0 ENVIRONMENTAL

- 4.1 OPERATING TEMPERATURE RANGE: -55° C TO +125° C

NO	DESCRIPTION	MATERIAL	Q'TY	FINISH
4	INSULATION	TEFLON	1	NONE
3	CENTER CONTACT	BERYLLIUM COPPER	1	GOLD
2	BODY	BRASS	1	NICKEL 100μ" MIN.
1	INSULATION	TEFLON	1	NONE

APPROVED

by

DATE:

DESCRIPTION		FME JACK-SMA JACK		DATE		REV.	
製圖	DRAWN Yoko	TOLERANCE	±0.2	品名	23-22 T.G.N	日期	07.15.92'
檢圖	CHECK Jacky	±0.1	±0.1	TITLE	\ROHS COMPLIANT (50Ω)	版次	A-4
認圖	APPROVAL Lewis	±0.05	±0.05	單位	mm(in)	DWG.NO.	23-0055
定	ANGLE	±5°	±5°	比例	3:1	佳楠精密電子股份有限公司 CHIN NAN PRECISION ELECTRONICS CO.,LTD.	