

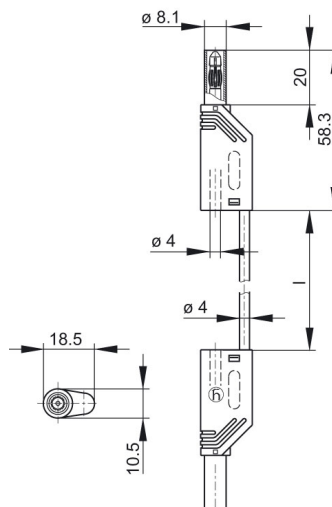
MLS WS 50/1 gruen/green

Industrial Connectors:Measuring and Testing Equipment:Measuring leads:4 mm safety system

Product description

| | |
|----------------------|---|
| Description | Safety measuring lead, at either end 4 mm diameter safety connector with onward connection capability. Nickel-plated copper beryllium contact spring. Highly flexible, double insulated stranded lead, shatter-proof grip sleeve and lead. In accordance to IEC 61010 standards. Built in colour indicator for easy identification of insulation damages. |
| Type | MLS WS 50/1 gruen/green |
| Order No. | 934 068-104 |
| System | 4 mm safety system |
| Cable length | 50 cm |
| Conductor size | 1 mm ² |
| Cable material | PVC |
| Cable color | green |
| Housing Color | green |
| Other standard types | black color, order no. 934 068-100; red color, order no. 934 068-101; blue color, order no. 934 068-102; yellow color, order no. 934 068-103 |

Drawing



Technical data

| | |
|---------------------|--------------------------------|
| Pin dimensions | 4 mm |
| Type of contact | pin (spring-loaded) and socket |
| Type of termination | 4 mm diameter pin |
| Cable type | LEH-XY |

| | |
|----------------------|----------------------|
| Cable specification | highly flexible lead |
| Wire stranding | 259 x 0,07 |
| Standard | IEC 61010 |
| Rated voltage | AC/DC 1000 V |
| Measurement Category | CAT II |
| Rated current | 16 A |
| Contact resistance | 13 mOhm |
| Certificates | CE |

Material

| | |
|--------------------------|------------------|
| Contact material | copper beryllium |
| Contact surface material | nickel-plated |
| Housing material | PA |

Environmental conditions

| | |
|-------------------|------------------|
| Temperature range | -15 °C to +70 °C |
|-------------------|------------------|

Inflammability class

| | |
|---------|--------|
| Cable | 94 HB |
| Housing | 94 V-2 |