

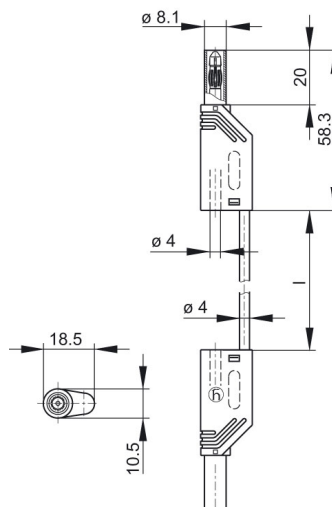
## MLS WS 50/1 gelb/yellow

Industrial Connectors:Measuring and Testing Equipment:Measuring leads:4 mm safety system

### Product description

Description	Safety measuring lead, at either end 4 mm diameter safety connector with onward connection capability. Nickel-plated copper beryllium contact spring. Highly flexible, double insulated stranded lead, shatter-proof grip sleeve and lead. In accordance to IEC 61010 standards. Built in colour indicator for easy identification of insulation damages.
Type	MLS WS 50/1 gelb/yellow
Order No.	934 068-103
System	4 mm safety system
Cable length	50 cm
Conductor size	1 mm <sup>2</sup>
Cable material	PVC
Cable color	yellow
Housing Color	yellow
Other standard types	black color, order no. 934 068-100; red color, order no. 934 068-101; blue color, order no. 934 068-102; green color, order no. 934 068-104

### Drawing



### Technical data

Pin dimensions	4 mm
Type of contact	pin (spring-loaded) and socket
Type of termination	4 mm diameter pin
Cable type	LEH-XY

Cable specification	highly flexible lead
Wire stranding	259 x 0,07
Standard	IEC 61010
Rated voltage	AC/DC 1000 V
Measurement Category	CAT II
Rated current	16 A
Contact resistance	13 mOhm
Certificates	CE

#### **Material**

Contact material	copper beryllium
Contact surface material	nickel-plated
Housing material	PA

#### **Environmental conditions**

Temperature range	-15 °C to +70 °C
-------------------	------------------

#### **Inflammability class**

Cable	94 HB
Housing	94 V-2